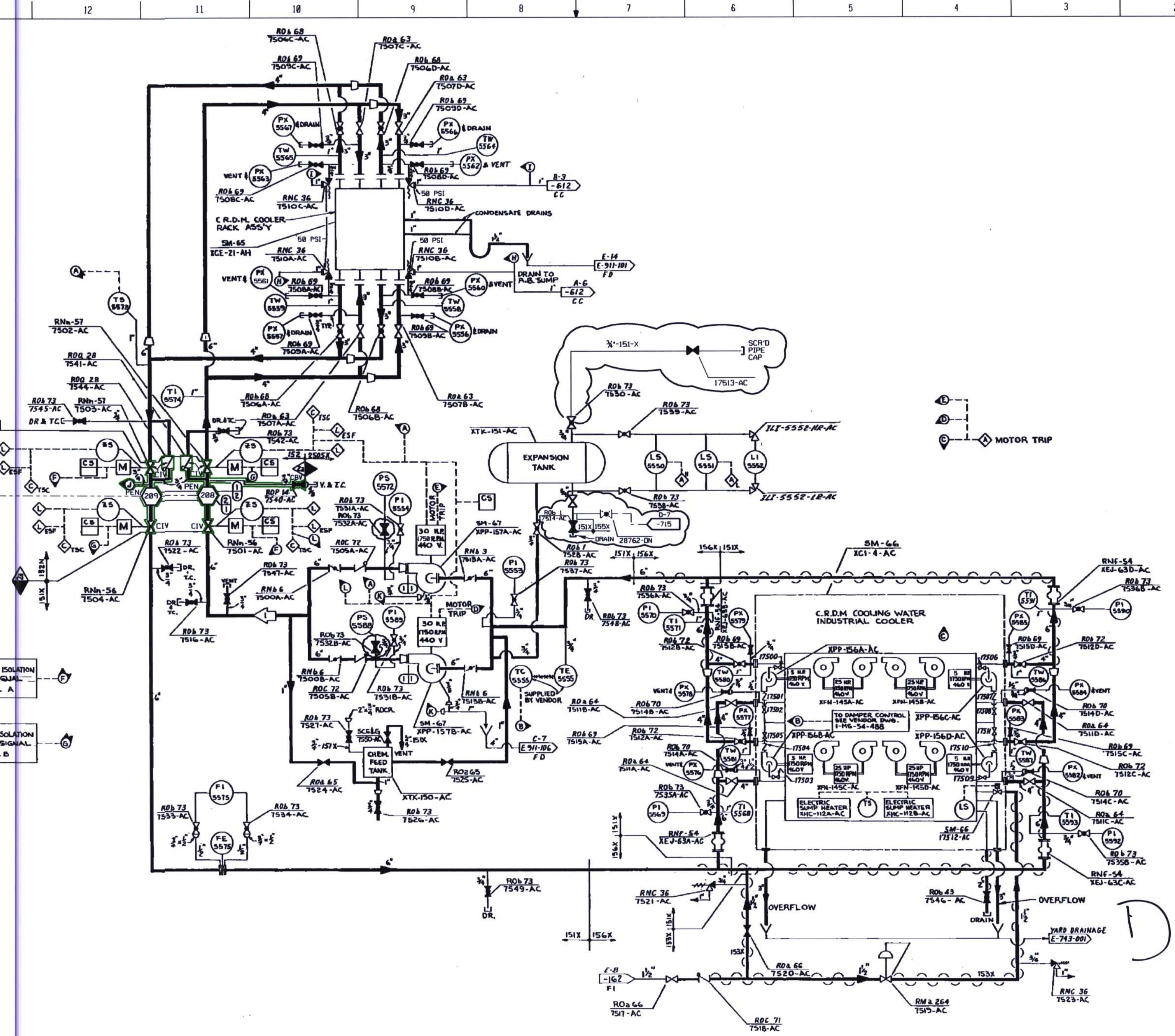


SYSTEM DATA					
NO.	DATE	BY	REVISION	REMARKS	
1	800	42	95	BY	NORMAL

SAFETY CLASS VERIFICATION	
ORIGINATED BY	REVIEWED BY

HYDRO TEST TEMPERATURE 60°F						
TIME	TEMP	BY	REVISION	REMARKS		
2	45	140	50	180	2 HRS	75
1	45	110	50	120	2 HRS	75

DESIGN DATA					
NO.	DATE	BY	REVISION	REMARKS	



D-105

THIS IS A NUCLEAR SAFETY RELATED DOCUMENT. NO DEVIATION SHALL BE INITIATED OR PERFORMED WITHOUT PRIOR DOCUMENTATION AND WRITTEN APPROVAL.

PLEX Drawing TR00160-003  
 FSAR Figure 9.4-32  
 SOUTH CAROLINA ELECTRIC & GAS COMPANY  
 VIRGINIA CUMBER NUCLEAR STATION  
 PIPING SYSTEM FLOW DIAGRAM  
 CRDM COOLING WATER

DRAWING LEGIBILITY CLASS 1  
 SCE&G CAD ENHANCED

NO.	DATE	BY	REVISION	CHK. BY	APPROVAL
11	11/20/88	JNR	REVISED PER ECR-58847	FRM	AB
10	2/28/88	JTS	REVISED PER CESS-88-0843	MRT	JEG
9	10/16/87	JTS	REVISED PER MSF-22048	MRT	JEM
8	8/19/87	DCN	REVISED PER COSC-16872-DE	PS	PJS

DESIGN ENGINEERING			
DCW	PS	PJS	
D-302-852		11	

1/4" = 1' - 0"