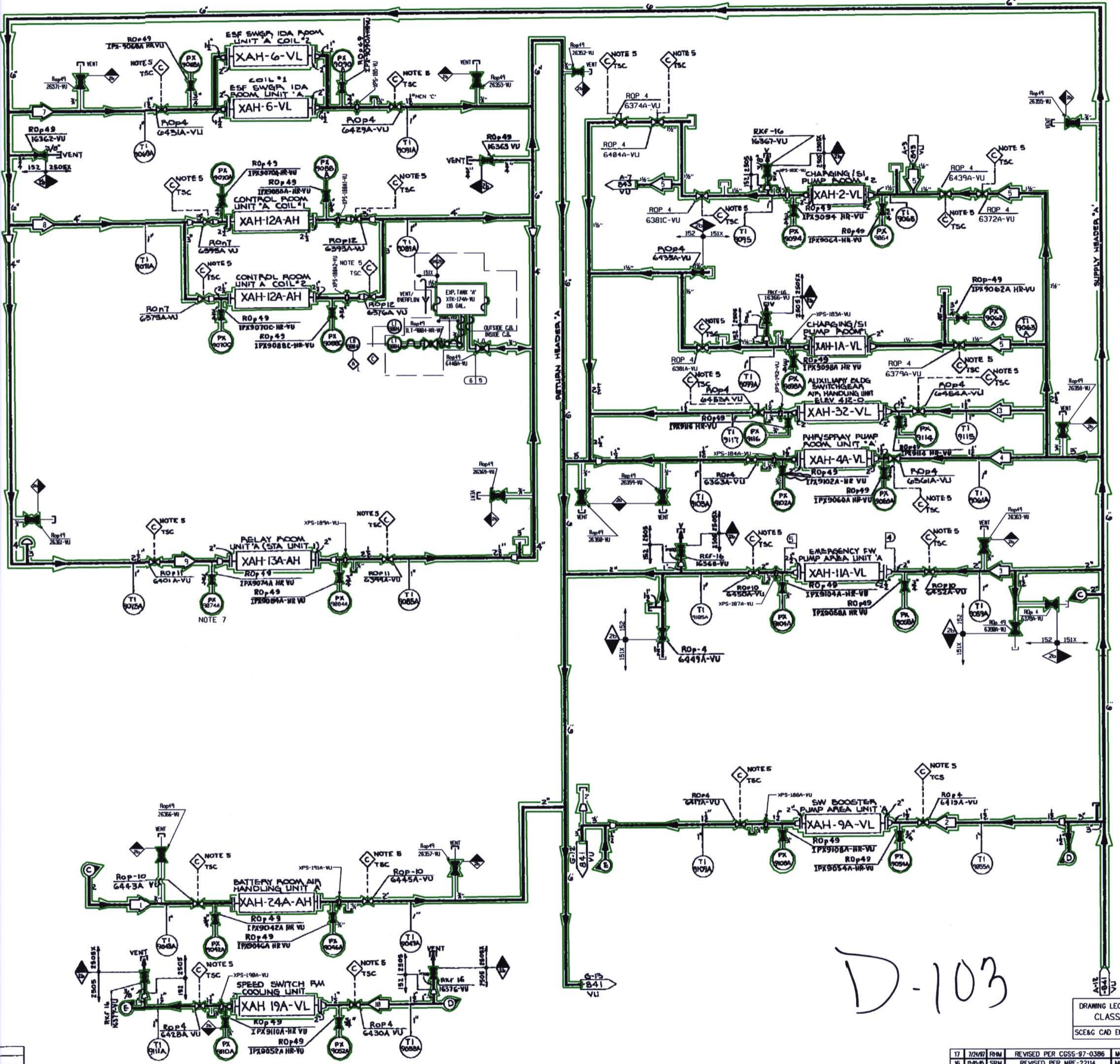


SYSTEM DATA					
NO.	DATE	BY	REVISION	DESCRIPTION	APP'D.
1	5/21/88
2	5/23/88
3	7/29/88
4	5/8/88
5	5/8/88
6
7
8
9
10
11
12
13

SAFETY CLASS VERIFICATION
 ORIGINATED BY: [Signature]
 REVIEWED BY: [Signature]

DESIGN DATA					
6	ATM	187	...	5	...
5	123	54	...	136	D.J.L.
4	123	45	...	136	D.J.L.



- NOTES:**
1. ALL EQUIPMENT SAFETY CLASSES 1B, UNLESS NOTED OTHERWISE.
 2. ALL SAFETY CLASS PIPING TO BE IN ACCORDANCE WITH LINE SPEC 18A.
 3. ALL NON SAFETY CLASS PIPING TO BE IN ACCORDANCE WITH LINE SPEC 18X.
 4. ALL ALARMS 1 INDICATING LIGHTS ARE LOCATED ON THE HVAC CONTROL BOARD (PC 600-1) IN THE MAIN CONTROL ROOM, EXCEPT WHERE NOTED OTHERWISE.
 5. OPERATOR INITIATED INPUT TO THE TSC COMPUTER.
 6. THE HYDROSTATIC PRESSURE LISTED ON THIS DRAWING IN THE DESIGN DATA BOX IS PER SECTION XI OF THE ASME CODE. THE VALUE IS BASED ON DEAD HEAD PRESSURE AT THE PUMP DISCHARGE. THE VALUE DOES NOT INCLUDE ELEVATION CORRECTIONS.
 7. CONNECTION CONTAINS PERMANENT SAMPLE CONNECTION. REFER TO IMS-22-1619 FOR DETAILS.

PLEX Drawing TR00160-003

THIS IS A NUCLEAR SAFETY RELATED DOCUMENT. REVIEWED BY THE DESIGN ENGINEER AND APPROVED BY THE PROJECT MANAGER AND WRITTEN APPROVAL.

FSAR Figure 9.4-23
 SOUTH CAROLINA ELECTRIC & GAS COMPANY

VIRGIL C. SUMNER NUCLEAR STATION
 PIPING SYSTEM FLOW DIAGRAM
 CHILLED WATER - TO COOLING COILS

DRAWING LEGIBILITY		CLASS 1	
SC&EG	CAD ENHANCED		

NO.	DATE	BY	REVISION	CHK'D BY	APP'D.
17	7/20/88	SRM	REVISED PER CGSS-97-0306	MGR	GJM
16	6/20/88	SRM	REVISED PER MRF-22114	MGR	DAL
15	6/23/88	SRM	REVISED PER MRF-22584 & MRF-22114	MGR	CHR
14	6/23/88	AVM	REVISED PER MRF-34006 & MRF-34054	MGR	WAB

DESIGN ENGINEERING	
CRR	RHM
D-302-842	DJC

D-103

