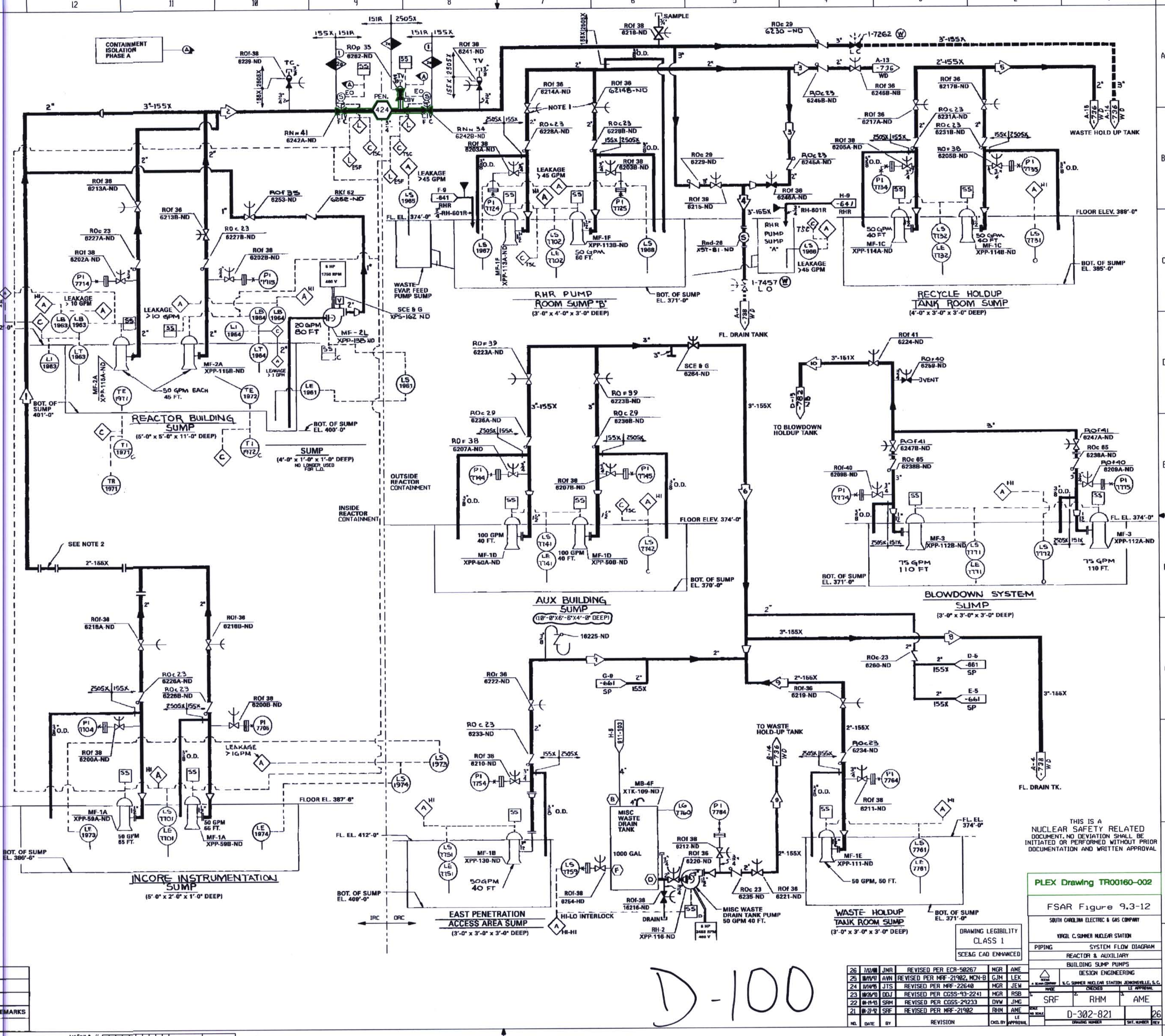


SYSTEM DATA				
NO.	GPM	PSIG	BY	REMARKS
1	50	35	100	DJK
2	50	20	100	DJK
3	50	30	100	DJK
4	50	30	100	DJK
5	50	20	100	DJK
6	100	40	100	PLL
7	50	20	100	DJK
8	50	40	100	PLL
9	50	40	100	PLL
10	75	66	100	DJK

SAFETY CLASS VERIFICATION		
ORIGINATED	DESIGN	2/11/77
REVIEWED BY	FLANORETTE	2/11/77

NOTE:
 1. THESE VALVES SHALL BE SET TO OBTAIN FLOW RATE OF 50 GPM MAXIMUM.
 2. REMOVABLE SPOOL PIECE TO PERMIT INCORE INSTRUMENT SUMP PUMP DISCHARGE TO REACTOR COOLANT DRAIN TANK (PER MRF 20707)

HYDRO TEST TEMP. 60 °F.								
NO.	TEMP	DATE	BY	REMARKS				
1	100	145	125	200	30	16.0	16.0	
2								
3								
4								
5								
6								
7								
8								
9								
10								
11								
12								
13								
14								
15								
16								
17								
18								
19								
20								
21								
22								
23								
24								
25								
26								
27								
28								
29								
30								
31								
32								
33								
34								
35								
36								
37								
38								
39								
40								
41								
42								
43								
44								
45								
46								
47								
48								
49								
50								
51								
52								
53								
54								
55								
56								
57								
58								
59								
60								
61								
62								
63								
64								
65								
66								
67								
68								
69								
70								
71								
72								
73								
74								
75								
76								
77								
78								
79								
80								
81								
82								
83								
84								
85								
86								
87								
88								
89								
90								
91								
92								
93								
94								
95								
96								
97								
98								
99								
100								



THIS IS A NUCLEAR SAFETY RELATED DOCUMENT. NO DEVIATION SHALL BE INITIATED OR PERFORMED WITHOUT PRIOR DOCUMENTATION AND WRITTEN APPROVAL.

PLEX Drawing TR00160-002	
FSAR Figure 9.3-12	
SOUTH CAROLINA ELECTRIC & GAS COMPANY	
VIRGIL C. SUMNER NUCLEAR STATION	
PIPING SYSTEM FLOW DIAGRAM	
REACTOR & AUXILIARY BUILDING SUMP PUMPS	
DESIGN ENGINEERING	
S.C. SUMNER NUCLEAR STATION, JOHNSVILLE, S.C.	
DATE	BY
26	JMR
25	AVM
24	JTS
23	DLJ
22	SRM
21	SF
20	
19	
18	
17	
16	
15	
14	
13	
12	
11	
10	
9	
8	
7	
6	
5	
4	
3	
2	
1	

D-100