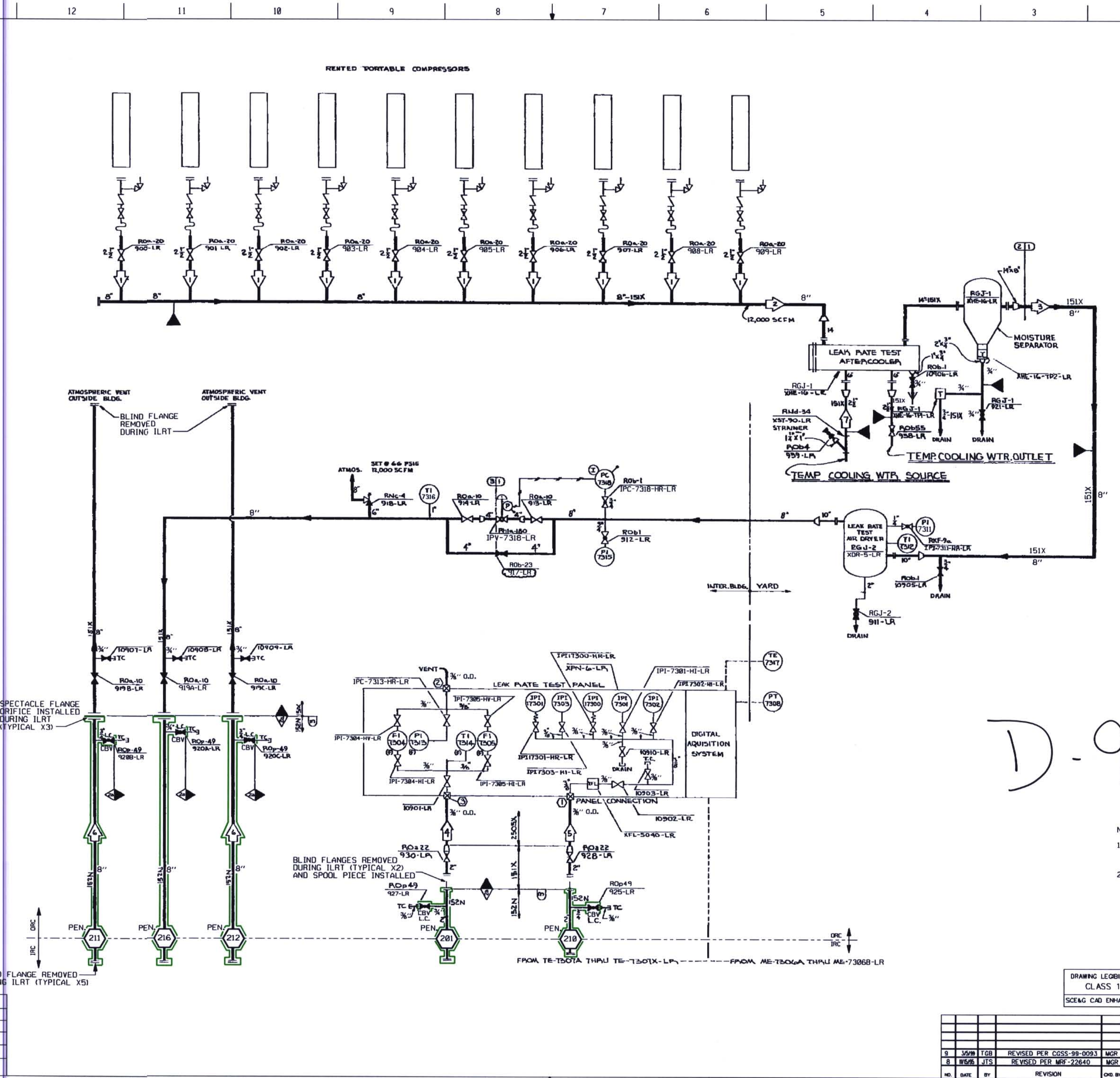


SYSTEM DATA				
NO.	SCFM	PSIG	BY	REMARKS
1	1200	100	250	PAR
2	12000	100	250	PAR
3	12000	100	100	PAR
4	6.5	BT	100	PAR
5	6.5	BT	100	PAR
6	12000	65.4	100	JGS
7	12000	125	92	JGS

SAFETY CLASS VERIFICATION	
ORIGINATED BY	11/18/89 JGS
REVIEWED BY	1/1/90 JGS

LR	18901	18989
LR	980	931
SYSTEM SUFFIX	FIRST NO.	LAST NO.
VALVE NUMBERING		

MINIMUM PNEU. TEST TEMP IS 60°F									
3	66	100	66	100	< 12	65	JGS		
2	100	250	125	250	< 12	125	JGS		
1	100	100	125	100	< 12	125	JGS		
NO.	PSIG	PSIG	PSIG	PSIG	BY	DATE	REVISION	BY	REMARKS
1	100	100	125	100	JGS	11/18/89			



D-98

PLEX Drawing TR00160-006

- NOTES:
- ITEMS DESIGNATED WITH (F) ARE FURNISHED BY EQUIPMENT SUPPLIER.
  - ILRT - REACTOR CONTAINMENT INTEGRATED LEAK RATE TEST.

THIS IS A NUCLEAR SAFETY RELATED DOCUMENT. NO DEVIATION SHALL BE INITIATED OR PERFORMED WITHOUT PRIOR DOCUMENTATION AND WRITTEN APPROVAL.

FSAR Figure 6.2-50			
SOUTH CAROLINA ELECTRIC & GAS COMPANY			
VIRGIL C. SUMNER NUCLEAR STATION			
SYSTEM FLOW DIAGRAM			
REACTOR BUILDING LEAK RATE			
TESTING SYSTEM			
DESIGN ENGINEERING			
V.S. SUMNER NUCLEAR STATION, VIRGIL C. SUMNER, S.C.			
DATE: 2/20/90			
3	15/89	TGB	REVISED PER CCSS-99-0003 MGR RR
8	8/98	JTS	REVISED PER MRF-22640 MGR JEW
NO.	DATE	BY	REVISION

DRAWING LEGIBILITY CLASS 1  
SCE&G CAD ENHANCED

NO.	DATE	BY	REVISION	CHK BY	APPROVAL