

SYSTEM DATA						
NO	QPM	PSIG	IN	BY	REMARKS	
1	0.5	1200	80	DTK	NORMAL	
2	0.5	1200	80	DTK	NORMAL	
3	0.5	1200	80	DTK	NORMAL	
4	1.0	1200	80	DTK	NORMAL	
5	1.0	1200	80	DTK	NORMAL	
6	1.0	1200	80	DTK	NORMAL	
7	1.5	600	80	DTK	FLUSH	
8	1.0	110	60	DTK		
9	1.0	110	60	DTK		
10	1.0	110	60	DTK		

SAFETY CLASS VERIFICATION		
ORIGINATED BY	DATE	REVIEWED BY
DTK	11/11/55	DTK
DTK	11/11/55	DTK

DESIGN DATA					
NO	QPM	PSIG	IN	BY	REMARKS
1	1.0	110	60	DTK	
2	1.0	110	60	DTK	
3	1.0	110	60	DTK	
4	1.0	110	60	DTK	
5	1.0	110	60	DTK	
6	1.0	110	60	DTK	
7	1.0	110	60	DTK	
8	1.0	110	60	DTK	
9	1.0	110	60	DTK	
10	1.0	110	60	DTK	

NOTE MINIMUM HYDROTEST TEMP 40°F					
NO	QPM	PSIG	IN	BY	REMARKS
1	1.0	110	60	DTK	
2	1.0	110	60	DTK	
3	1.0	110	60	DTK	
4	1.0	110	60	DTK	
5	1.0	110	60	DTK	
6	1.0	110	60	DTK	
7	1.0	110	60	DTK	
8	1.0	110	60	DTK	
9	1.0	110	60	DTK	
10	1.0	110	60	DTK	

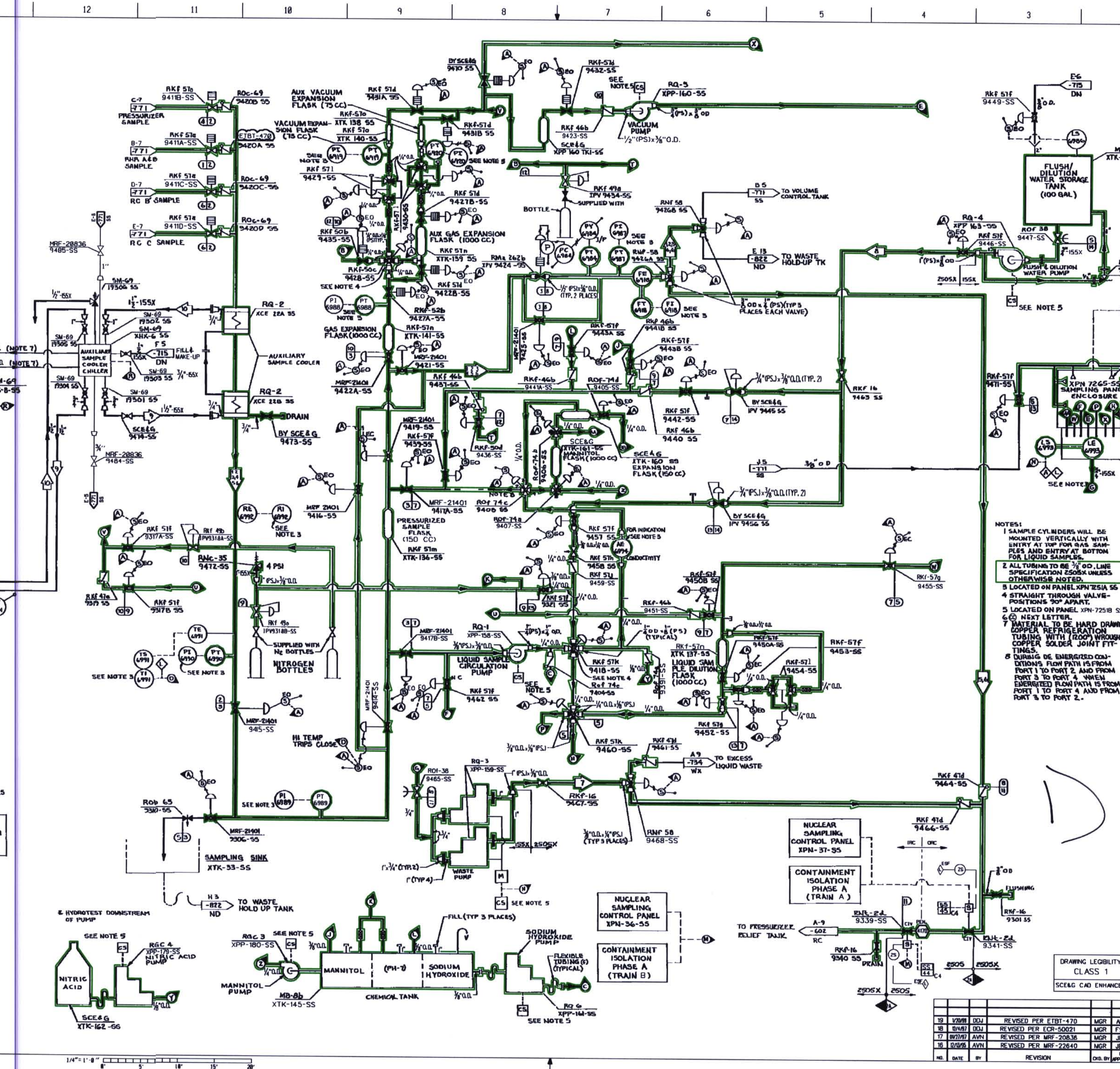
DESIGN DATA					
NO	QPM	PSIG	IN	BY	REMARKS
1	1.0	110	60	DTK	
2	1.0	110	60	DTK	
3	1.0	110	60	DTK	
4	1.0	110	60	DTK	
5	1.0	110	60	DTK	
6	1.0	110	60	DTK	
7	1.0	110	60	DTK	
8	1.0	110	60	DTK	
9	1.0	110	60	DTK	
10	1.0	110	60	DTK	

DESIGN DATA					
NO	QPM	PSIG	IN	BY	REMARKS
1	1.0	110	60	DTK	
2	1.0	110	60	DTK	
3	1.0	110	60	DTK	
4	1.0	110	60	DTK	
5	1.0	110	60	DTK	
6	1.0	110	60	DTK	
7	1.0	110	60	DTK	
8	1.0	110	60	DTK	
9	1.0	110	60	DTK	
10	1.0	110	60	DTK	

DESIGN DATA					
NO	QPM	PSIG	IN	BY	REMARKS
1	1.0	110	60	DTK	
2	1.0	110	60	DTK	
3	1.0	110	60	DTK	
4	1.0	110	60	DTK	
5	1.0	110	60	DTK	
6	1.0	110	60	DTK	
7	1.0	110	60	DTK	
8	1.0	110	60	DTK	
9	1.0	110	60	DTK	
10	1.0	110	60	DTK	

DESIGN DATA					
NO	QPM	PSIG	IN	BY	REMARKS
1	1.0	110	60	DTK	
2	1.0	110	60	DTK	
3	1.0	110	60	DTK	
4	1.0	110	60	DTK	
5	1.0	110	60	DTK	
6	1.0	110	60	DTK	
7	1.0	110	60	DTK	
8	1.0	110	60	DTK	
9	1.0	110	60	DTK	
10	1.0	110	60	DTK	

DESIGN DATA					
NO	QPM	PSIG	IN	BY	REMARKS
1	1.0	110	60	DTK	
2	1.0	110	60	DTK	
3	1.0	110	60	DTK	
4	1.0	110	60	DTK	
5	1.0	110	60	DTK	
6	1.0	110	60	DTK	
7	1.0	110	60	DTK	
8	1.0	110	60	DTK	
9	1.0	110	60	DTK	
10	1.0	110	60	DTK	



- NOTES:
- 1 SAMPLE CYLINDERS WILL BE MOUNTED VERTICALLY WITH ENTRY AT TOP FOR GAS SAMPLES AND ENTRY AT BOTTOM FOR LIQUID SAMPLES.
 - 2 ALL TUBING TO BE 1/2" O.D. LINE SPECIFICATION ES00K UNLESS OTHERWISE NOTED.
 - 3 LOCATED ON PANEL XPN 225A SS
 - 4 STRAIGHT THROUGH VALVE POSITIONS 90° APART.
 - 5 LOCATED ON PANEL XPN 725B SS
 - 6 G NEXT LETTER.
 - 7 MATERIAL TO BE HARD DRAWN COPPER PIPE REGULATION TUBING WITH (100) WROUGHT COPPER SOLDER JOINT FITTINGS.
 - 8 DURING DE ENERGIZED CONDITIONS FLOW PATH IS FROM PORT 1 TO PORT 2 AND FROM PORT 3 TO PORT 4 WHEN ENERGIZED FLOW PATH IS FROM PORT 1 TO PORT 4 AND FROM PORT 3 TO PORT 2.

10-95

PLEX Drawing TR00160-002

THIS IS A NUCLEAR SAFETY RELATED DOCUMENT. NO DEVIATION SHALL BE INITIATED OR PERFORMED WITHOUT PRIOR DOCUMENTATION AND WRITTEN APPROVAL.

FSAR Figure 9.3-20

SOUTH CAROLINA ELECTRIC & GAS COMPANY
VIRGIL C. SUMNER NUCLEAR STATION

DRAWING LEGIBILITY CLASS 1
SCE&G CAD ENHANCED

NO	DATE	BY	REVISION	CHK BY	APPROVAL
19	1/20/55	DDJ	REVISED PER EFBT-470	MGR	ALB
18	8/24/54	DDJ	REVISED PER ECR-50021	MGR	FSM
17	8/17/54	AVN	REVISED PER MRF-20836	MGR	JEG
16	8/16/54	AVN	REVISED PER MRF-22840	MGR	JEW