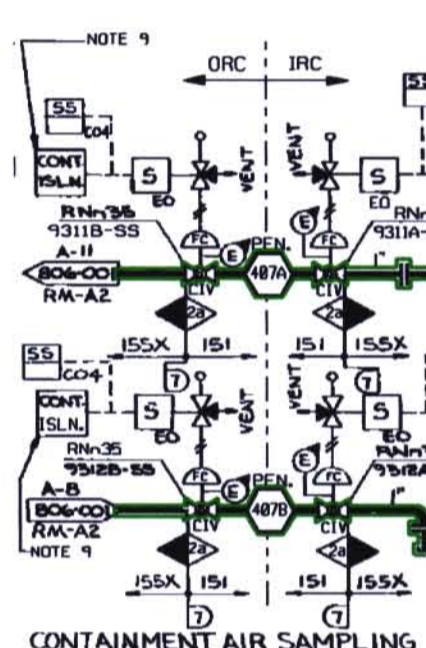


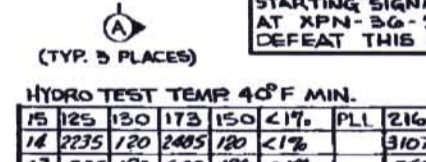
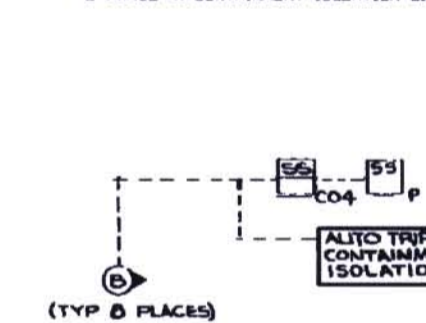
SYSTEM DATA									
Q	GPM	PSIG	°F	BY	REMARKS				
1	0.5	600	550	DTK	NORMAL				
2	0.5	600	550	DTK	NORMAL				
3	0.5	600	550	DTK	NORMAL				
4	0.5	600	550	DTK	NORMAL				
5	0.5	600	550	DTK	NORMAL				
6	0.5	600	550	DTK	NORMAL				
7	0.5	600	550	DTK	NORMAL				
8	0.5	600	550	DTK	NORMAL				
9	0.5	600	550	DTK	NORMAL				
10	0.5	600	550	DTK	NORMAL				
11	0.5	600	550	DTK	NORMAL				
12	0.5	600	550	DTK	NORMAL				
13	0.5	600	550	DTK	NORMAL				
14	0.5	600	550	DTK	NORMAL				
15	0.5	600	550	DTK	NORMAL				
16	0.5	600	550	DTK	NORMAL				
17	0.5	600	550	DTK	NORMAL				
18	1.2	2235	603	DTK	POST ACCIDENT				
19	1.2	2235	603	DTK	POST ACCIDENT				
20	1.2	2235	603	DTK	POST ACCIDENT				
21	1.2	2235	603	DTK	POST ACCIDENT				
22	1.2	2235	603	DTK	POST ACCIDENT				
23	1.2	2235	603	DTK	POST ACCIDENT				
24	1.2	2235	603	DTK	POST ACCIDENT				

Q	GPM	PSIG	°F	BY	REMARKS
1	0.5	600	550	DTK	NORMAL
2	0.5	600	550	DTK	NORMAL
3	0.5	600	550	DTK	NORMAL
4	0.5	600	550	DTK	NORMAL
5	0.5	600	550	DTK	NORMAL
6	0.5	600	550	DTK	NORMAL
7	0.5	600	550	DTK	NORMAL
8	0.5	600	550	DTK	NORMAL
9	0.5	600	550	DTK	NORMAL
10	0.5	600	550	DTK	NORMAL
11	0.5	600	550	DTK	NORMAL
12	0.5	600	550	DTK	NORMAL
13	0.5	600	550	DTK	NORMAL
14	0.5	600	550	DTK	NORMAL
15	0.5	600	550	DTK	NORMAL
16	0.5	600	550	DTK	NORMAL
17	0.5	600	550	DTK	NORMAL
18	1.2	2235	603	DTK	POST ACCIDENT
19	1.2	2235	603	DTK	POST ACCIDENT
20	1.2	2235	603	DTK	POST ACCIDENT
21	1.2	2235	603	DTK	POST ACCIDENT
22	1.2	2235	603	DTK	POST ACCIDENT
23	1.2	2235	603	DTK	POST ACCIDENT
24	1.2	2235	603	DTK	POST ACCIDENT

① NEXT LETTER



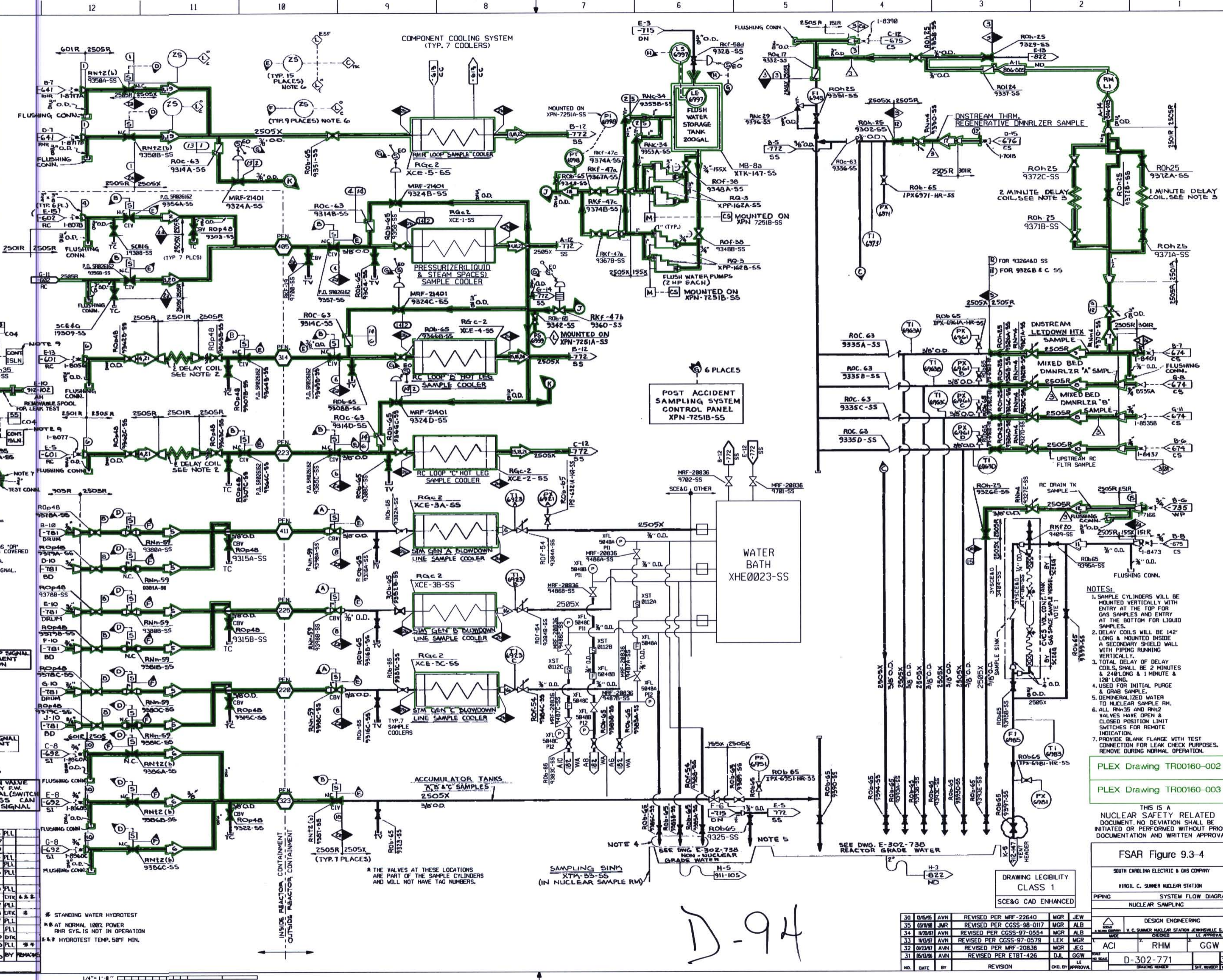
CONTAINMENT AIR SAMPLING
NOTE 9



Q	GPM	PSIG	°F	BY	REMARKS
1	0.5	600	550	DTK	NORMAL
2	0.5	600	550	DTK	NORMAL
3	0.5	600	550	DTK	NORMAL
4	0.5	600	550	DTK	NORMAL
5	0.5	600	550	DTK	NORMAL
6	0.5	600	550	DTK	NORMAL
7	0.5	600	550	DTK	NORMAL
8	0.5	600	550	DTK	NORMAL
9	0.5	600	550	DTK	NORMAL
10	0.5	600	550	DTK	NORMAL
11	0.5	600	550	DTK	NORMAL
12	0.5	600	550	DTK	NORMAL
13	0.5	600	550	DTK	NORMAL
14	0.5	600	550	DTK	NORMAL
15	0.5	600	550	DTK	NORMAL
16	0.5	600	550	DTK	NORMAL
17	0.5	600	550	DTK	NORMAL
18	1.2	2235	603	DTK	POST ACCIDENT
19	1.2	2235	603	DTK	POST ACCIDENT
20	1.2	2235	603	DTK	POST ACCIDENT
21	1.2	2235	603	DTK	POST ACCIDENT
22	1.2	2235	603	DTK	POST ACCIDENT
23	1.2	2235	603	DTK	POST ACCIDENT
24	1.2	2235	603	DTK	POST ACCIDENT

Q	GPM	PSIG	°F	BY	REMARKS
1	0.5	600	550	DTK	NORMAL
2	0.5	600	550	DTK	NORMAL
3	0.5	600	550	DTK	NORMAL
4	0.5	600	550	DTK	NORMAL
5	0.5	600	550	DTK	NORMAL
6	0.5	600	550	DTK	NORMAL
7	0.5	600	550	DTK	NORMAL
8	0.5	600	550	DTK	NORMAL
9	0.5	600	550	DTK	NORMAL
10	0.5	600	550	DTK	NORMAL
11	0.5	600	550	DTK	NORMAL
12	0.5	600	550	DTK	NORMAL
13	0.5	600	550	DTK	NORMAL
14	0.5	600	550	DTK	NORMAL
15	0.5	600	550	DTK	NORMAL
16	0.5	600	550	DTK	NORMAL
17	0.5	600	550	DTK	NORMAL
18	1.2	2235	603	DTK	POST ACCIDENT
19	1.2	2235	603	DTK	POST ACCIDENT
20	1.2	2235	603	DTK	POST ACCIDENT
21	1.2	2235	603	DTK	POST ACCIDENT
22	1.2	2235	603	DTK	POST ACCIDENT
23	1.2	2235	603	DTK	POST ACCIDENT
24	1.2	2235	603	DTK	POST ACCIDENT

DESIGN DATA



- NOTES:
1. SAMPLE CYLINDERS WILL BE MOUNTED VERTICALLY WITH ENTRY AT THE TOP FOR GAS SAMPLES AND ENTRY AT THE BOTTOM FOR LIQUID SAMPLES.
 2. DELAY COILS WILL BE 142" LONG & MOUNTED INSIDE A SECONDARY SHIELD WITH PIPING RUNNING VERTICALLY.
 3. TOTAL DELAY OF DELAY COILS SHALL BE 2 MINUTES & 248" LONG & 1 MINUTE & 128" LONG.
 4. USED FOR INITIAL PURGE & DRINK SAMPLE.
 5. DEMINERALIZED WATER TO NUCLEAR SAMPLE RM.
 6. ALL RM-55 AND RM-2 VALVES HAVE OPEN & CLOSED POSITION LIMIT SWITCHES FOR REMOTE INDICATION.
 7. PROVIDE BLANK FLANGE WITH TEST CONNECTION FOR LEAK CHECK PURPOSES. REMOVE DURING NORMAL OPERATION.

PLEX Drawing TR00160-002
PLEX Drawing TR00160-003

THIS IS A NUCLEAR SAFETY RELATED DOCUMENT NO DEVIATION SHALL BE INITIATED OR PERFORMED WITHOUT PRIOR DOCUMENTATION AND WRITTEN APPROVAL

FSAR Figure 9.3-4					
SOUTH CAROLINA ELECTRIC & GAS COMPANY					
VIRIL C. SUMNER NUCLEAR STATION					
PIPING SYSTEM FLOW DIAGRAM					
NUCLEAR SAMPLING					
DESIGN ENGINEERING					
35	01/28/81	AVN	REVISED PER MRF-22840	MGR	JEW
36	01/28/81	AVN	REVISED PER CCSS-98-017	MGR	ALB
37	02/01/81	AVN	REVISED PER CCSS-97-0574	MGR	ALB
38	02/01/81	AVN	REVISED PER CCSS-97-0573	LEX	MGR
39	02/01/81	AVN	REVISED PER MRF-20836	MGR	JEG
40	02/01/81	AVN	REVISED PER ETRI-426	D.L.	GGW
NO.	DATE	BY	REVISION	CHK'D BY	APPROVAL

D-94