

Date Entered: May 06, 2002

TO: USNRC/WASHINGTON  
JMCKNIGHT Copy Number: 145

TRANSMITTAL NUMBER: 216702

PROCEDURE NUMBER: EI-6.13

TITLE: PROTECTIVE ACTION RECOMMENDATIONS FOR  
OFFSITE POPULATIONS

TRANSMITTAL: LISTED BELOW ARE NEW/REVISED PROCEDURES WHICH MUST BE  
IMMEDIATELY INSERTED INTO OR DISCARDED FROM YOUR PROCEDURE  
MANUAL.

Action Required	Section or Description
REMOVE AND DESTROY	EI-6.13, R/10, COVERSHEET AND ATTACHMENT 1, PAGES 1-2
REPLACE WITH	EI-6.13, R/10, COVERSHEET AND ATTACHMENT 1, PAGES 1-2 EDITORIAL

**SIGN, DATE, AND RETURN THE ACKNOWLEDGEMENT FORM WITHIN 10 DAYS TO THE PALISADES  
PLANT DOCUMENT CONTROL.**

SIGNATURE OR INITIALS

DATE

\_\_\_\_\_

\_\_\_\_\_

A045

\_\_\_\_\_

**PALISADES NUCLEAR PLANT**  
**EMERGENCY IMPLEMENTING PROCEDURE**

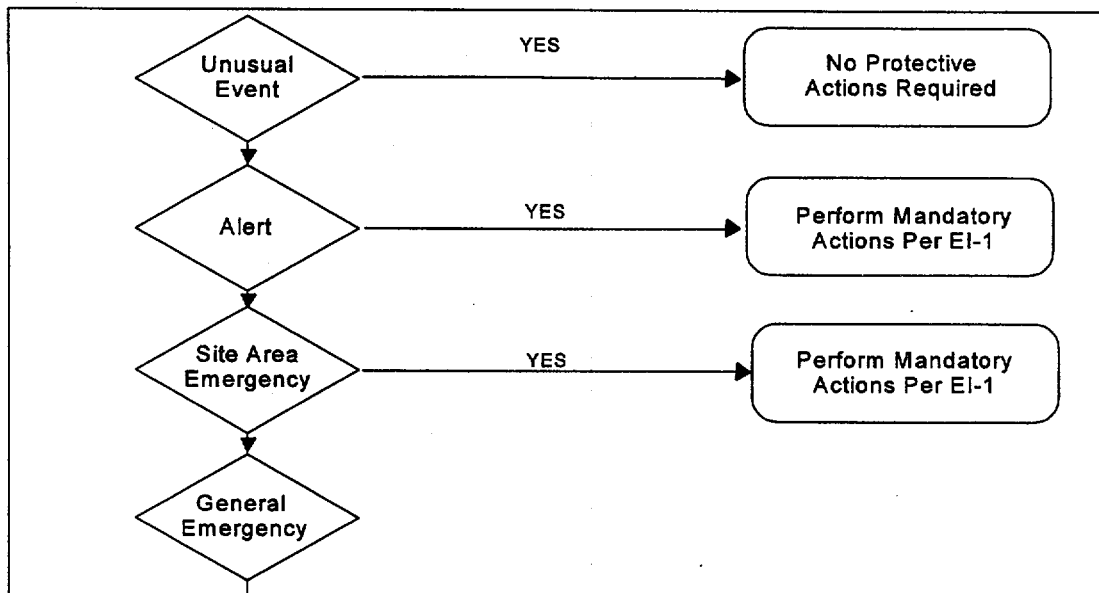
**TITLE: PROTECTIVE ACTION RECOMMENDATIONS FOR OFFSITE POPULATIONS**

JRBrunel 15/6/02  
Procedure Sponsor Date

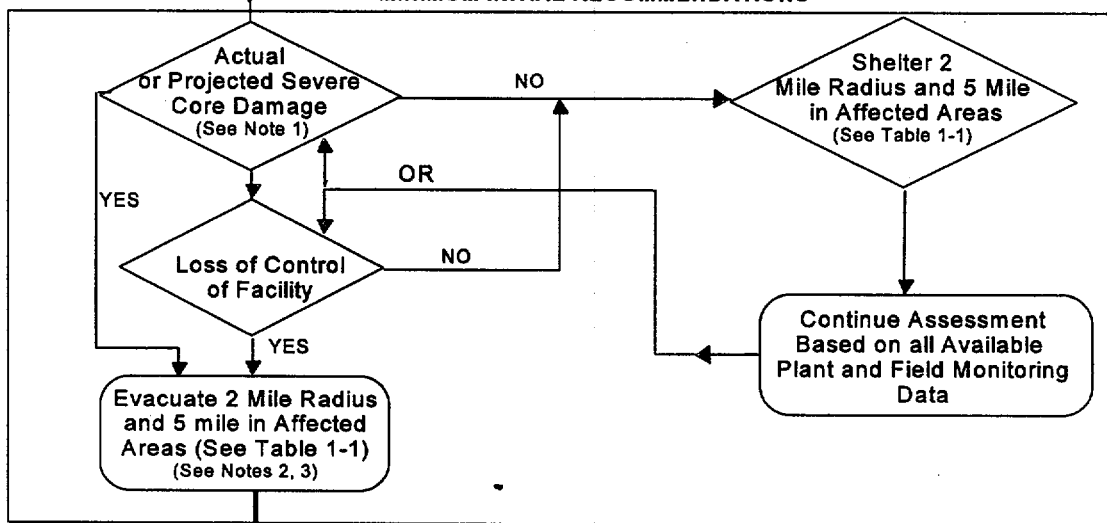
TRLoudenslager 1/15/01  
Technical Reviewer Date

/  
User Reviewer Date

**PROTECTIVE ACTION RECOMMENDATIONS  
 FOR OFFSITE POPULATION**



**MINIMUM INITIAL RECOMMENDATIONS**



**GO TO "A" ON PAGE 2**

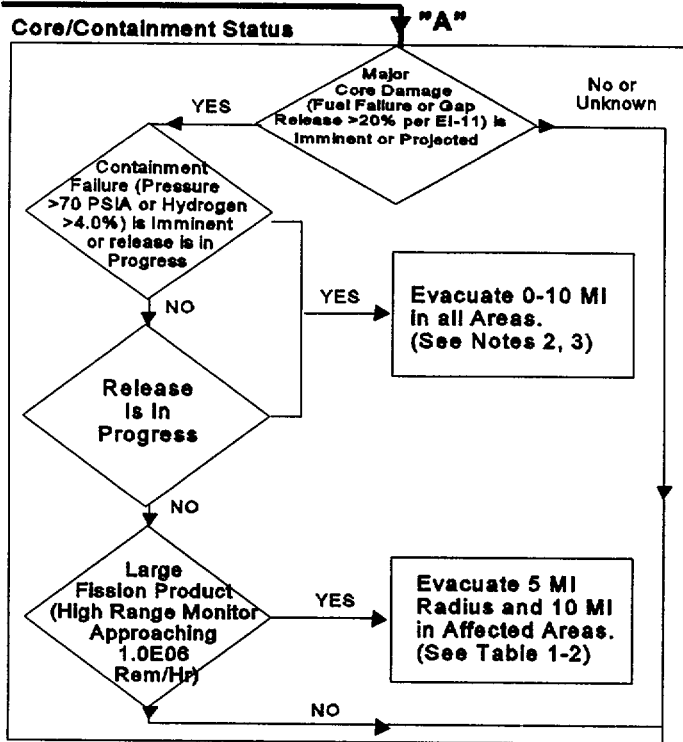
Conversion Table 1-1  
 (For PAR's Out To 5 Miles)  
 Convert Wind Direction Degrees  
 from to Downwind Areas

Wind direction Degrees (FROM):	Areas Affected:
> 169° and < 236°	1 and 2
≥ 236° and < 303°	1, 2, and 3
≥ 303° and < 56°	1 and 3

**NOTE 1:** Severe core damage is indicated by (1) loss of critical functions required for core protection (eg, loss of injection combined with a LOCA); (2) high core temperatures; (3) very high radiation levels in area or process monitors.

le

**PROTECTIVE ACTION RECOMMENDATIONS  
 FOR OFFSITE POPULATION**



**CONVERSION TABLE 1-2  
 (FOR PAR'S OUT TO 10 MILES)**

Convert  
 Wind Direction Degrees from  
 to Downwind Areas

Wind Direction Degrees (FROM):	Areas Affected:
>169° and < 236°	1, 2, 3 and 4
≥236° and < 303°	1, 2, 3, 4, and 5
≥303° and < 56°	1, 2, 3, and 5

**NOTE 2:** If there are very dangerous travel conditions, initially, shelter rather than evacuate until conditions improve.

**NOTE 3:** Shelter may be the appropriate action for controlled releases from containment if there is assurance that the release is short term (puff release) and the area near the Plant cannot be evacuated before plume arrives.

