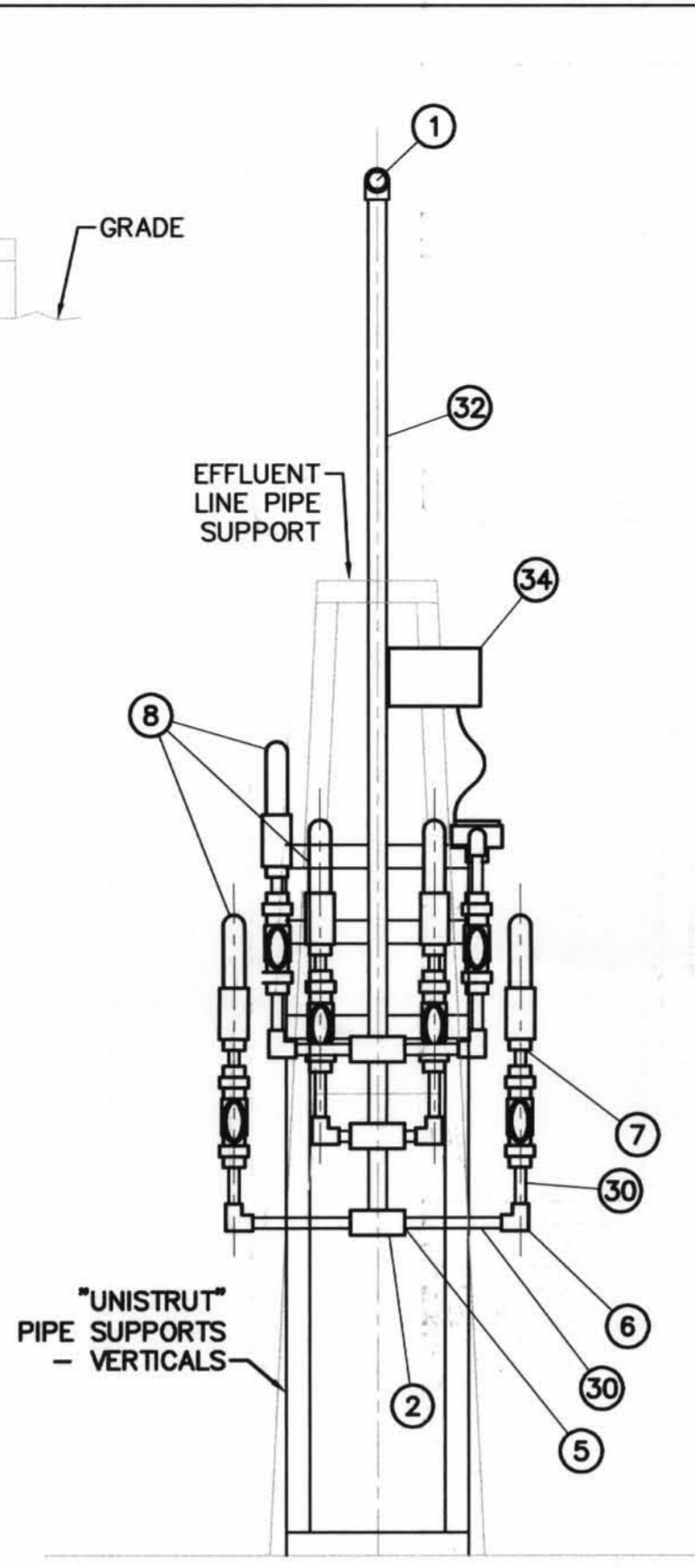
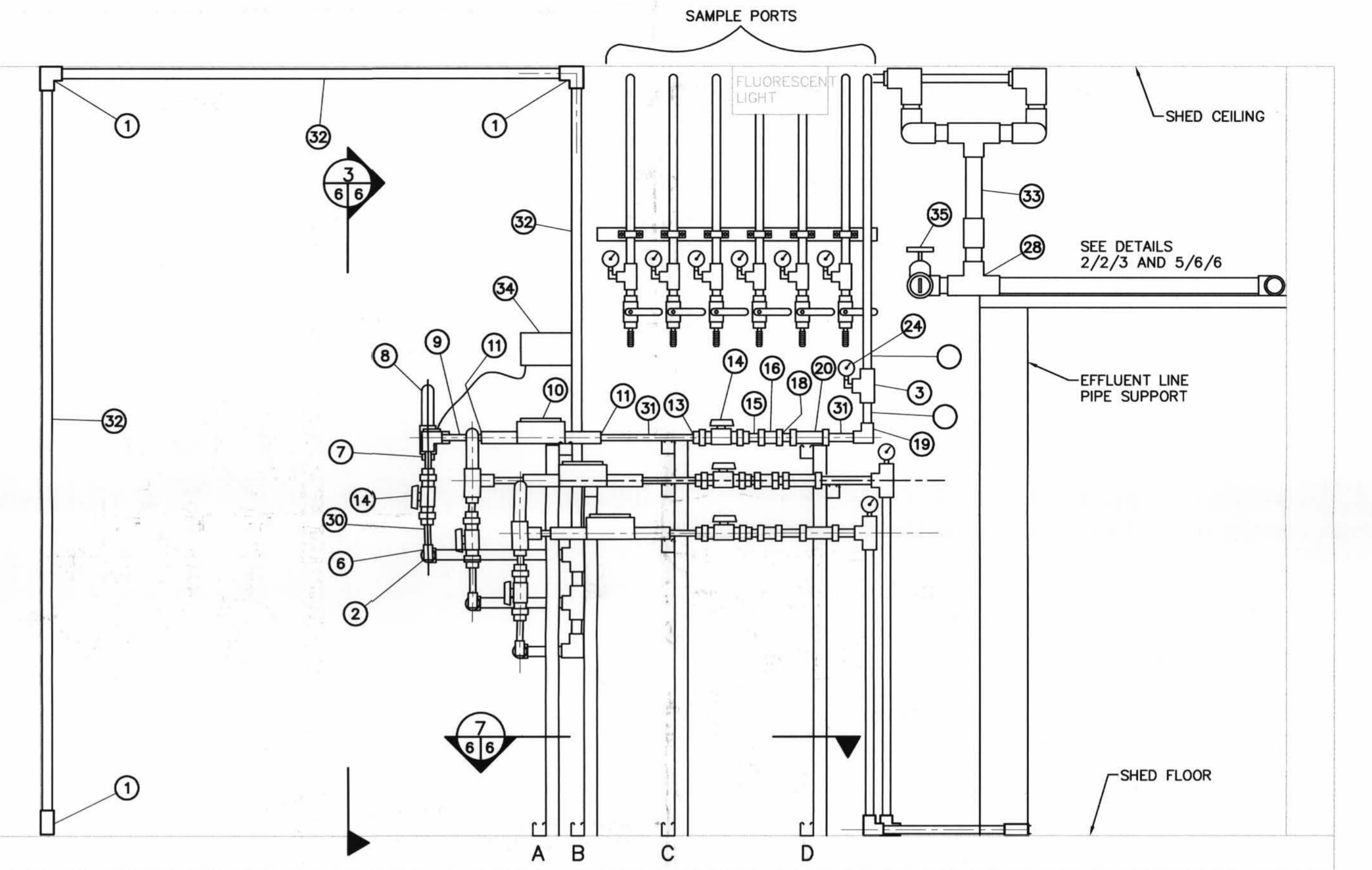


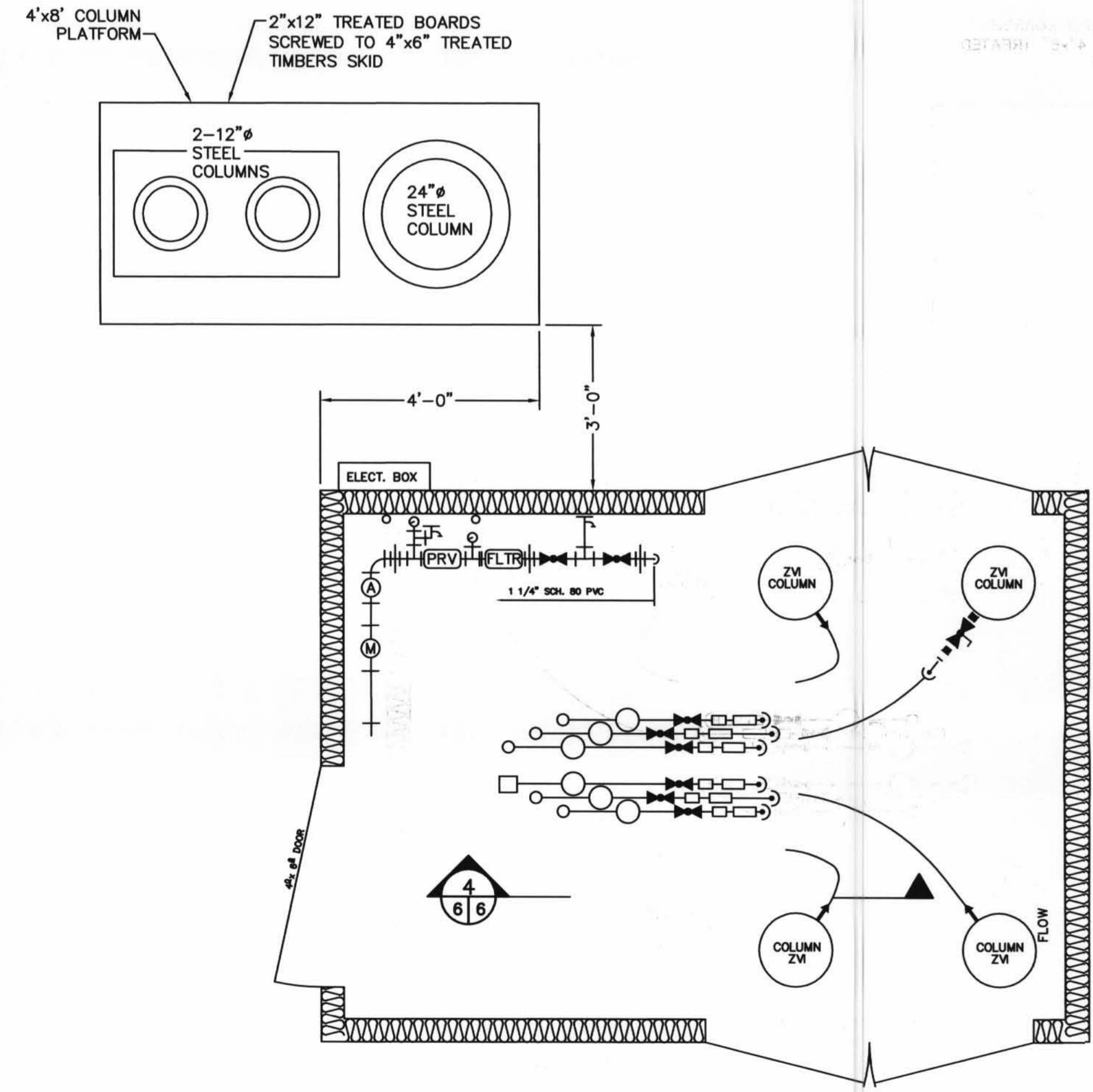
1
6/6 ELEVATION
SCALE: 1"=1'-0"



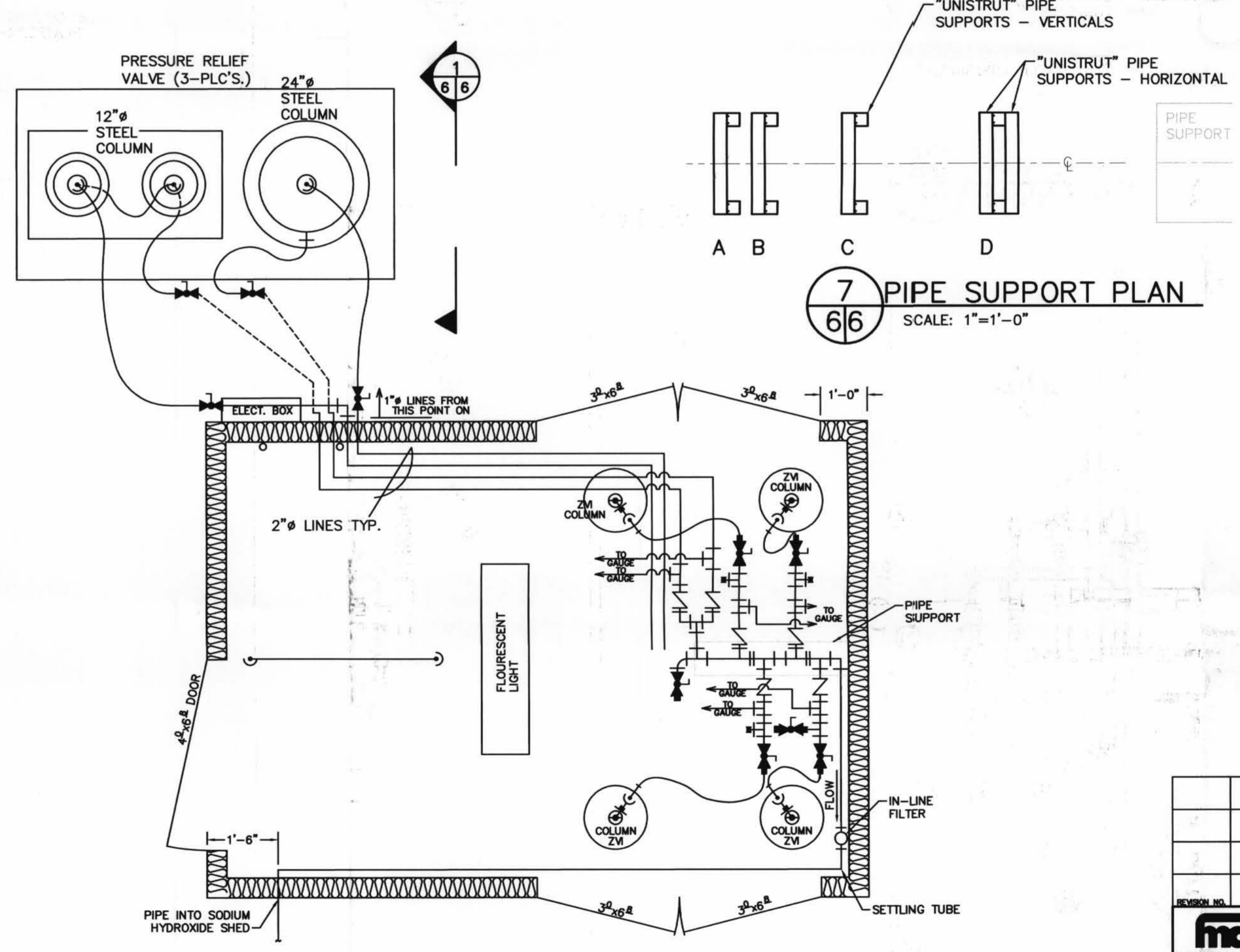
3
6/6 PIPING GALLERY - END ELEVATION
SCALE: 1"=1'-0"



4
6/6 PIPING GALLERY SOUTH SIDE ELEVATION (NORTH SIDE SIMILAR)
SCALE: 1"=1'-0"



PIPING GALLERY PLAN
SCALE: 1/2"=1'-0"



5
6/6 ROOF LEVEL INFLUENT/EFFLUENT PIPING PLAN
SCALE: 1/2"=1'-0"

MATERIALS LIST		
NO.	ITEM QUANTITY	REQ.
1	1 1/4" 90 ELL SxS, PVC	4
2	1 1/4" TEE SxSxS, PVC	5
3	1" TEE SxSxS, PVC	6
4	1 1/4" UNION SxS, PVC	3
5	1 1/4" x 3/4" BUSHING SPIGOT x SLIP, PVC	6
6	3/4" 90 ELL SxS, PVC	6
7	3/4" MALE ADAPTER, SLIPxMIPT, PVC	5
8	MEM THRU VIEW FLOW METER, BRASS	4
9	3/4" x 4" T. D. E. NIPPLE, PVC	6
10	NEPTUNE T10 WATER METER, BRASS	1
11	3/4" FIPT ADAPTER, SLIPxFIPT, PVC	10
12	NOT USED	
13	1" x 3/4" BUSHING SPIGOT x SLIP, PVC	6
14	1" TRUE UNION BALL VALVE SLIP PVC	16
15	1" x 2" T. D. E. NIPPLE, PVC	18
16	DDLE VALVE, 7 GPM	2
17	DDLE VALVE, 4 GPM	4
18	1" MALE ADAPTER, SLIPxMIPT, PVC	6
19	1" 90 ELL SxS, PVC	24
20	1" DUAL CHECK VALVE, BRASS	2
21	1" x 1/2" BUSHING SPIGOTxFIPT, PVC	6
22	1/2" x 1/4" BUSHING REDUCER MIPT x FIPT, PVC	6
23	1/4" 90 STREET ELL, BRASS	6
24	0-60 PRESSURE GAUGE, BRASS	6
25	1" x 2" NIPPLE, SPIGOT x SPIGOT, PVC	6
26	1" 45 ELL SxS, PVC	2
27	2" 90 ELL SxS, PVC	6
28	2" TEE SxSxS, PVC	3
29	2" x 1" BUSHING, SPIGOT x SLIP, PVC	
30	3/4" PIPE, PVC (LF)	20
31	1" PIPE, PVC (LF)	100
32	1 1/4" PIPE, PVC (LF)	40
33	2" PIPE, PVC (LF)	40
34	ELECTRONIC FLOW METER	
35	2" BRASS VALVE	
ALL PVC PIPE AND FITTINGS, SCH. 80		

D-6

SECTION NO.	DATE	DESCRIPTION	DRAWN BY	DESIGNER	PROJECT ENG. APPROVED BY
AS BUILT					
PROJECT LOCATION NEW RIFLE SITE RIFLE, COLORADO			APPROVALS C.J. WHITNEY 12/01 M.W. MADRIL 12/01 M.W. MADRIL 12/01 K.E. KARP 12/01 S.J. MARUTZKY 12/01 N.R.		
PROJECT TITLE ZVI PILOT TEST - 25 GPM TREATMENT SHED PIPING PLAN MODIFICATIONS			PROJECT NO. UGW-511-0017-25-006		
DRAWING NO. U01438-M03-R00-D+			SHEET NO. 6 OF 7		

D-6