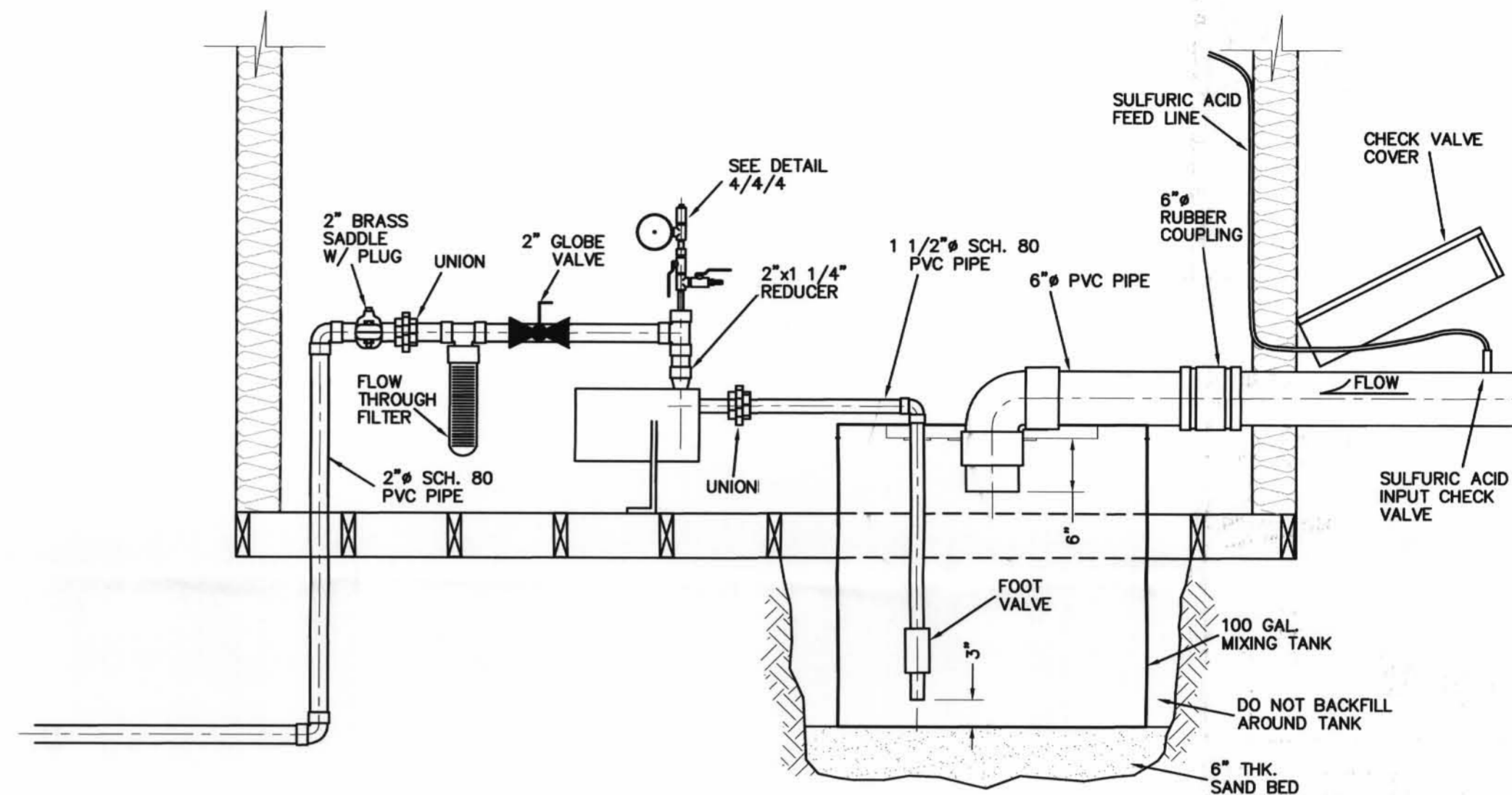
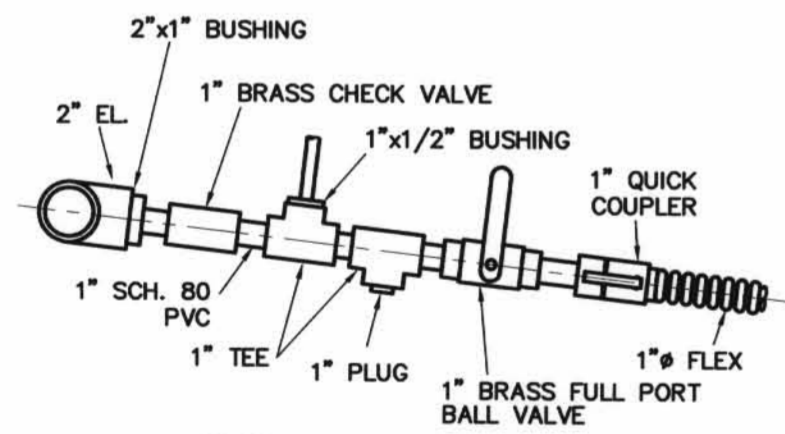
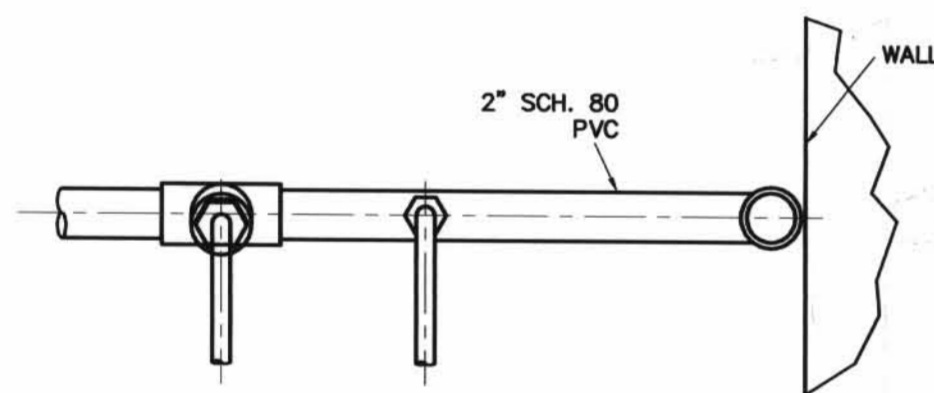


1
3/4 ELEVATION
SCALE: 3/4"=1'-0"

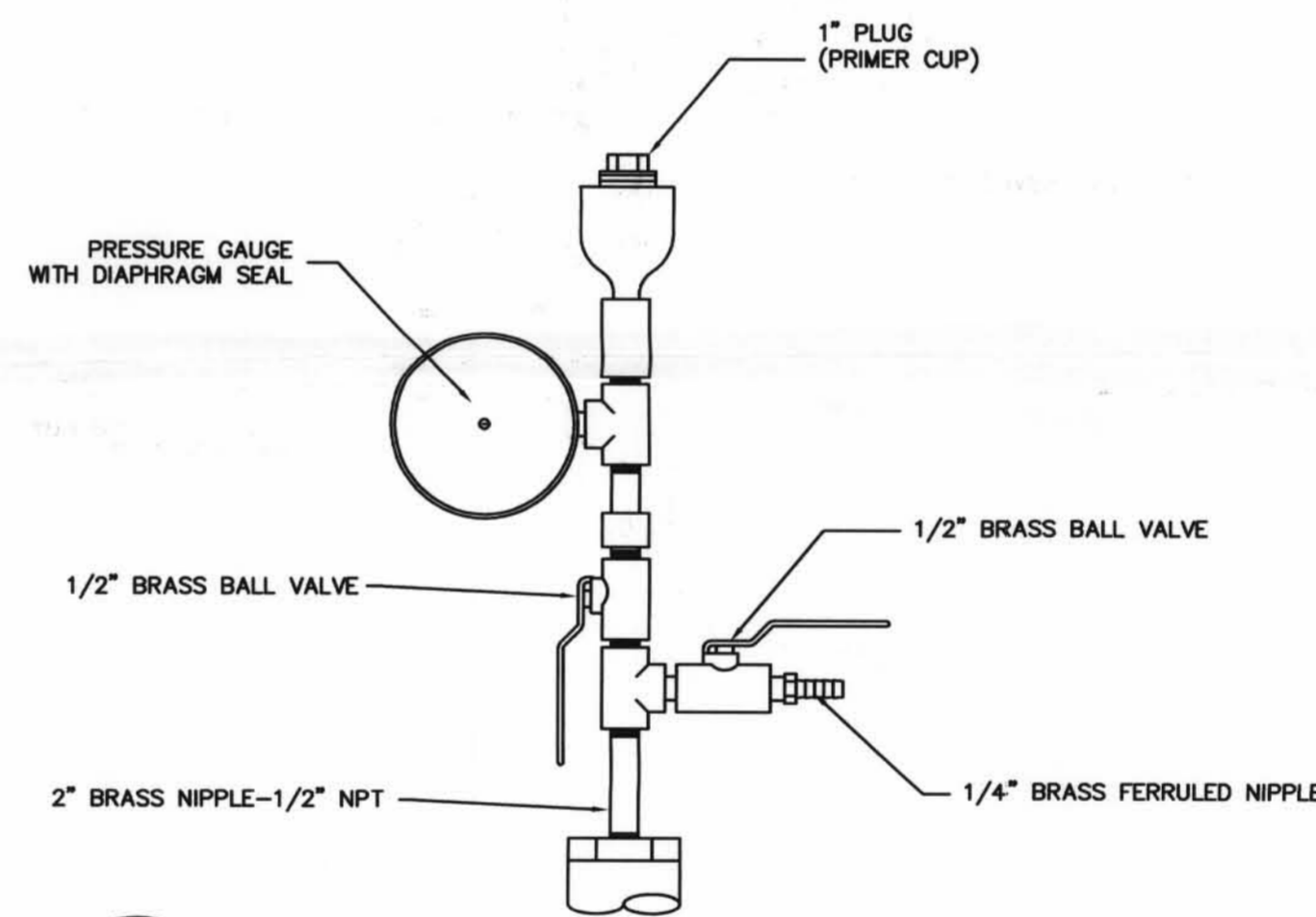


3
3/4 SECTION
SCALE: 3/4"=1'-0"

1436



2
3/4 ELEVATION
SCALE: 1 1/2"=1'-0"



4
4/4 SAMPLE TAP AND PRESSURE GAUGE DETAIL
NTS

		U.S. DEPARTMENT OF ENERGY GRAND JUNCTION OFFICE, COLORADO	
PROJECT LOCATION: NEW RIFLE SITE RIFLE, COLORADO	APPROVALS DRAWN BY: C.J. WHITNEY 12/01 DESIGNER: M.W. MADRIL 12/01 PROJECT ENGINEER: M.W. MADRIL 12/01 APPROVED BY: K.E. KARP 12/01 PROJECT MANAGER: S.J. MARUTZKY 12/01 DOE CONFORMANCE: N.R.	PROJECT NO.: UGW-511-0017-25-006 DRAWING NO.: U01436-M02-R00-D+	SHEET: 4 OF 7