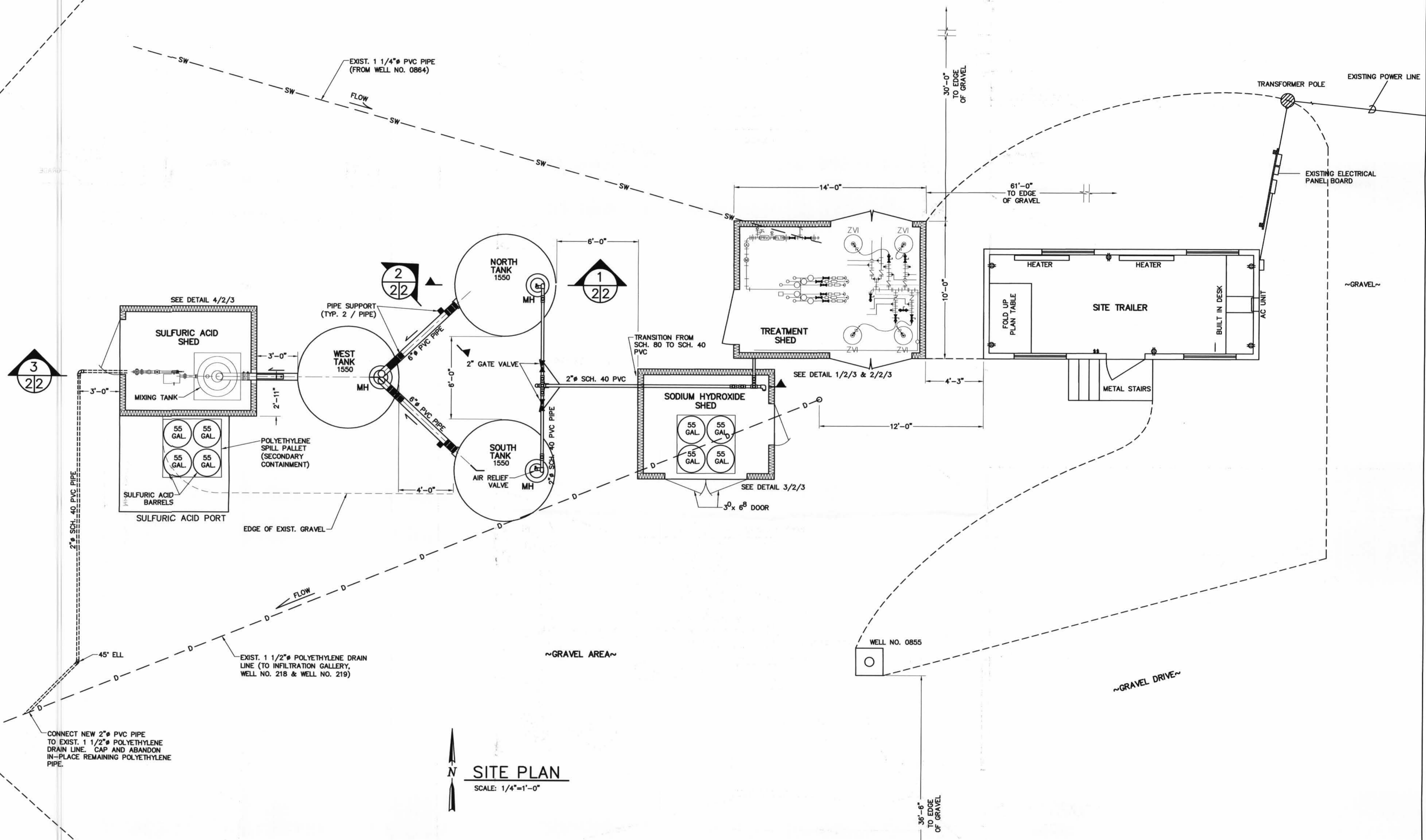
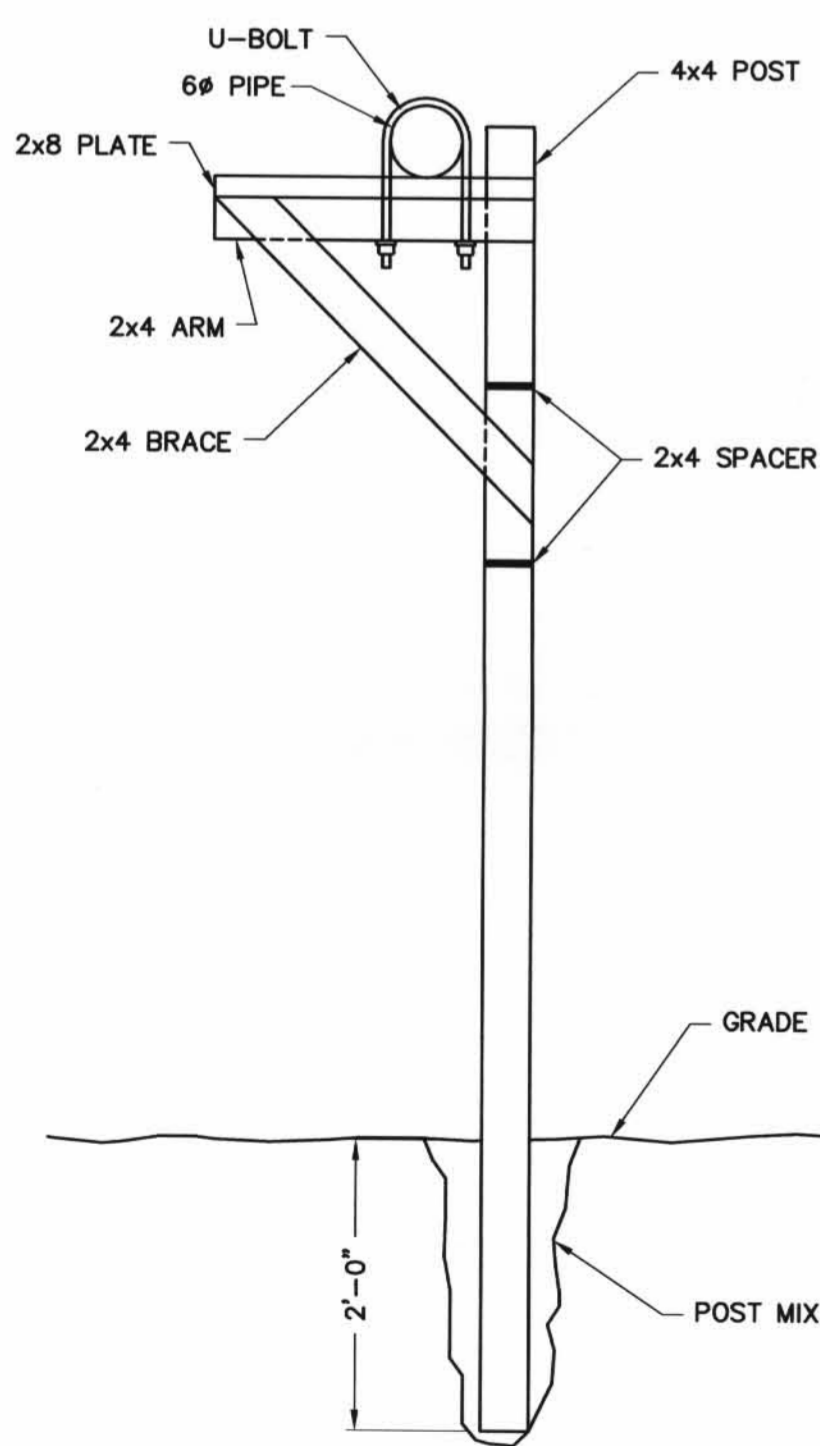


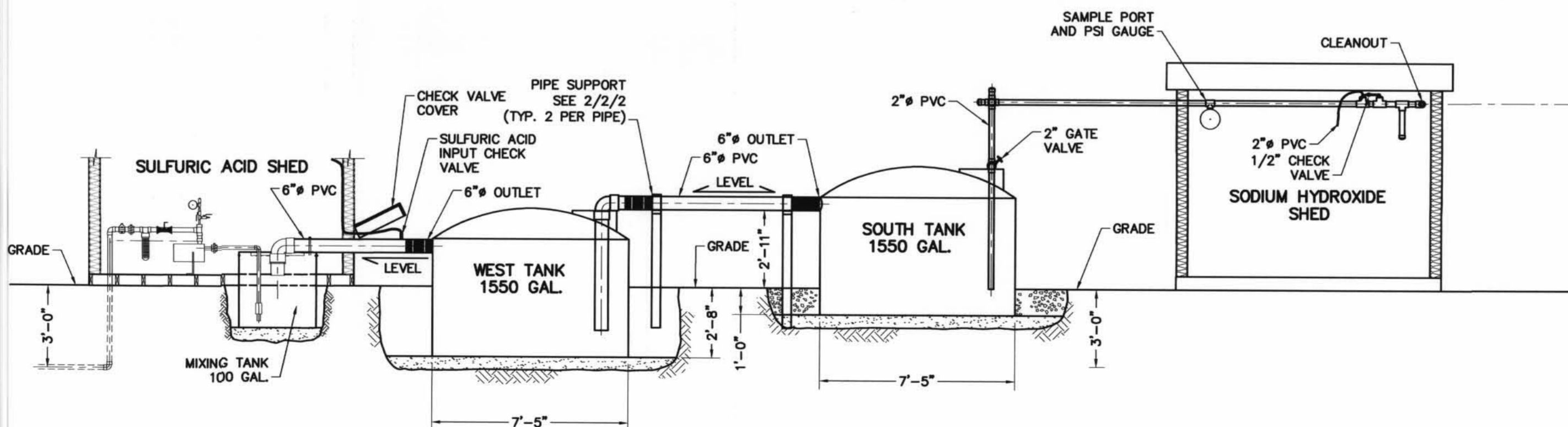
1 SECTION
SCALE: 1/2" = 1'-0"



SITE PLAN
SCALE: 1/4" = 1'-0"



2 PIPE SUPPORT ELEVATION
NTS



3 SECTION
SCALE: 1/4" = 1'-0"

AS BUILT PROJECT LOCATION: NEW RIFLE SITE, COLORADO PROJECT NUMBER: UGW-511-0017-25-006 DRAWING NO: U01434-C02-R00-D+		U.S. DEPARTMENT OF ENERGY GRAND JUNCTION OFFICE, COLORADO PROJECT: UMWRA GROUNDWATER NEW RIFLE SITE ZVI PILOT TEST - 25 GPM FACILITIES SITE PLAN	
APPROVALS PROJECT OWNER: C.J. WHITNEY DESIGNER: M.W. MADRIL APPROVED BY: K.E. KARP PROJECT MANAGER: S.J. MARUTZKY DATE: 12/01	DATE: 12/01 DATE: 12/01 DATE: 12/01 DATE: 12/01	SHEET: 2 OF: 7	PROJECT NO: UGW-511-0017-25-006 DRAWING NO: U01434-C02-R00-D+