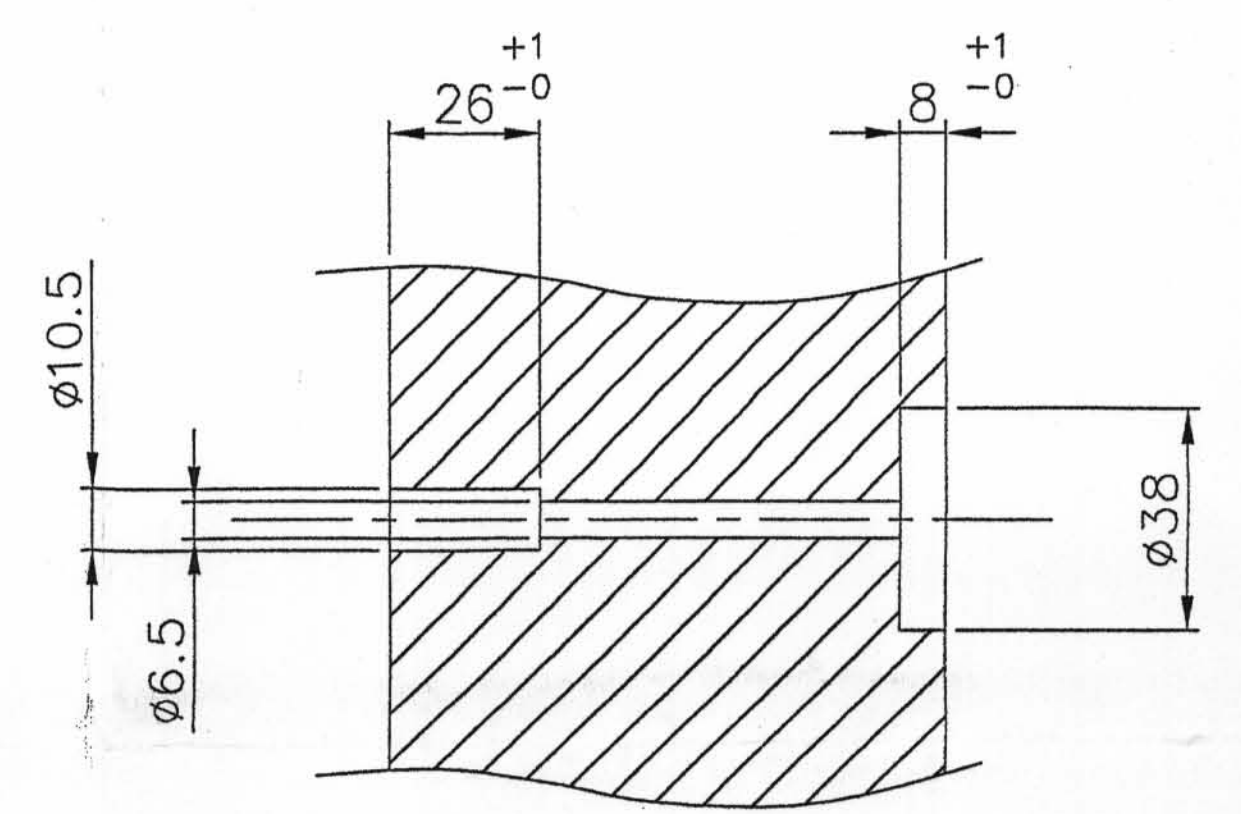


SECTION A-A



SECTION B-B

MATERIAL : POLYETHYLENE  
FINISH : MEDIUM MACHINE  
NOTE : REMOVE ALL BURRS & SHARP EDGES.

				SHUTTER, ROTARY		 MINERAL CONTROL INSTRUMENTATION PTY LIMITED PO BOX 64 UNLEY SOUTH AUSTRALIA 5061	
USED ON		CM100	DRAWING No.		6625-00-0005		REV No.
DRAWN		JOHN MARTIN	DATE	12/3/90			1
CHECKED			DATE		SCALE: 1:2	SHEET 1 of 1	DRG. A2
GENERAL UPDATE		P.B.	1	11/2/98			
CHANGE	REV No.	DATE	CHANGE NOTICE No.	GENERAL TOLERANCE	±0.5 LINEAR ±0.5 ANGULAR ±0.5 HOLE CRS.	 DIMENSIONS IN MILLIMETRES UNLESS OTHERWISE STATED	

D-2