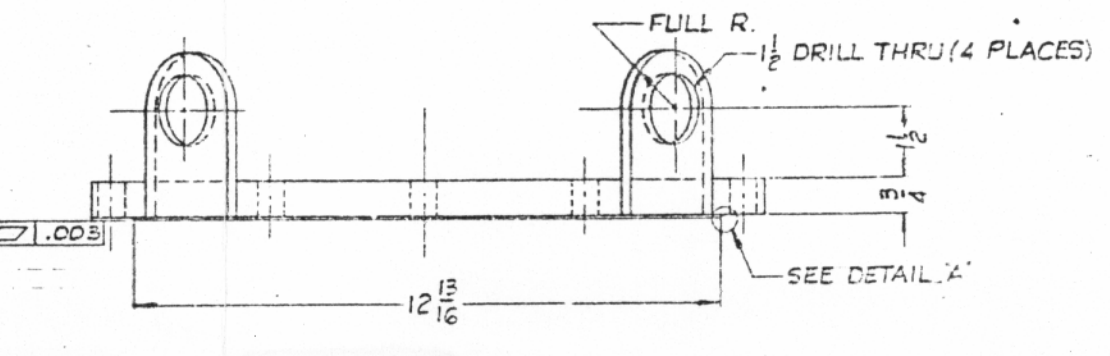
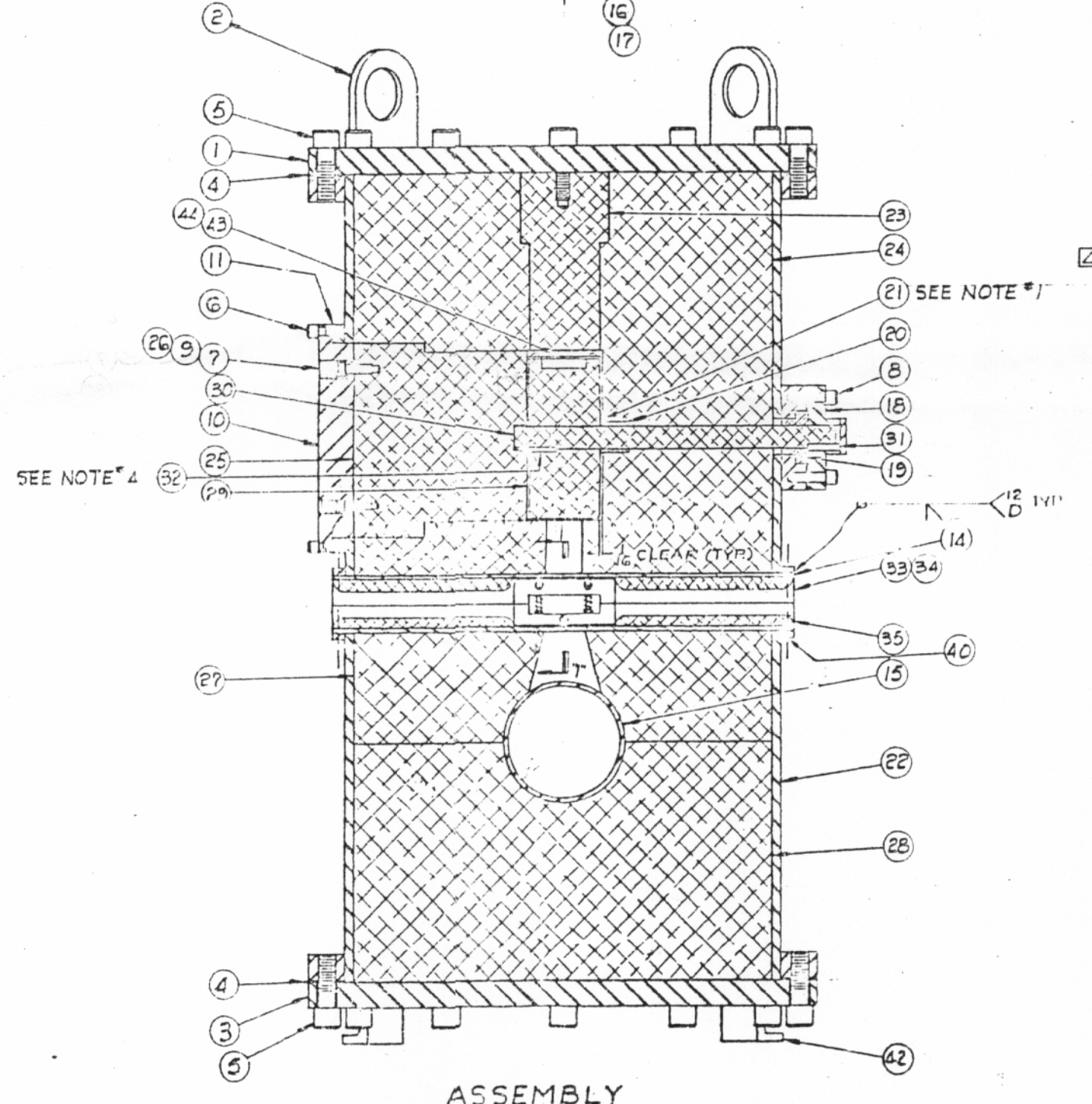
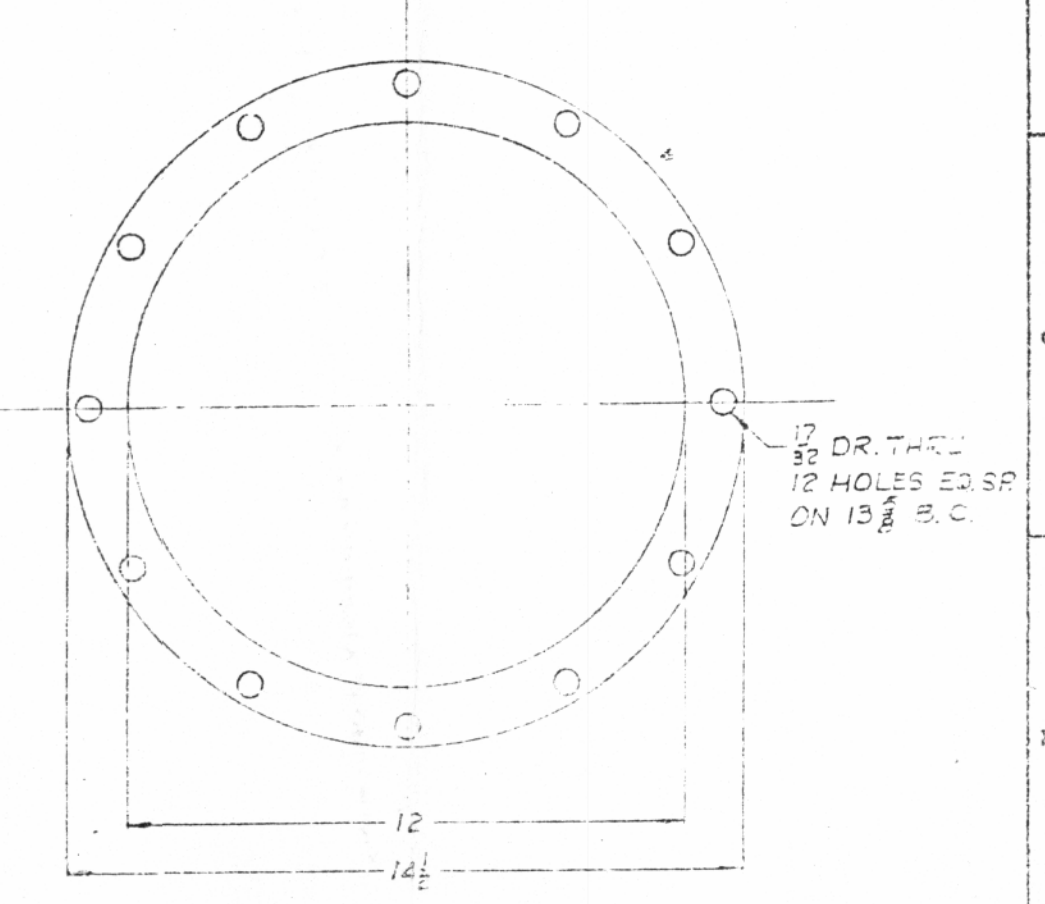
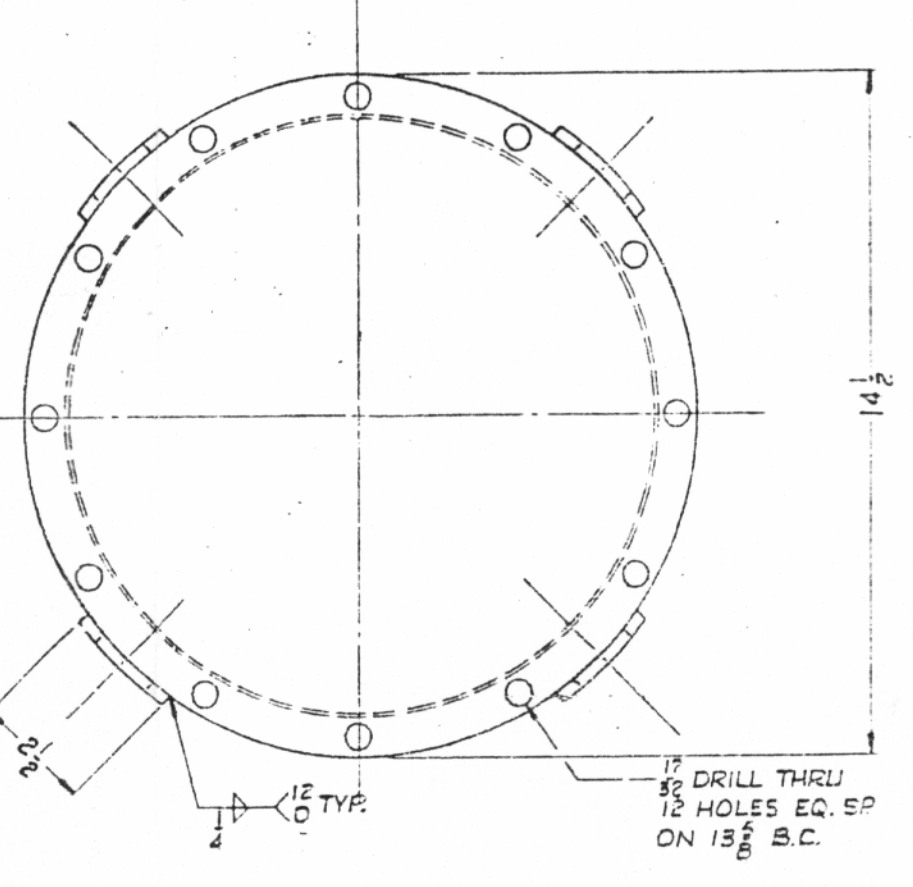
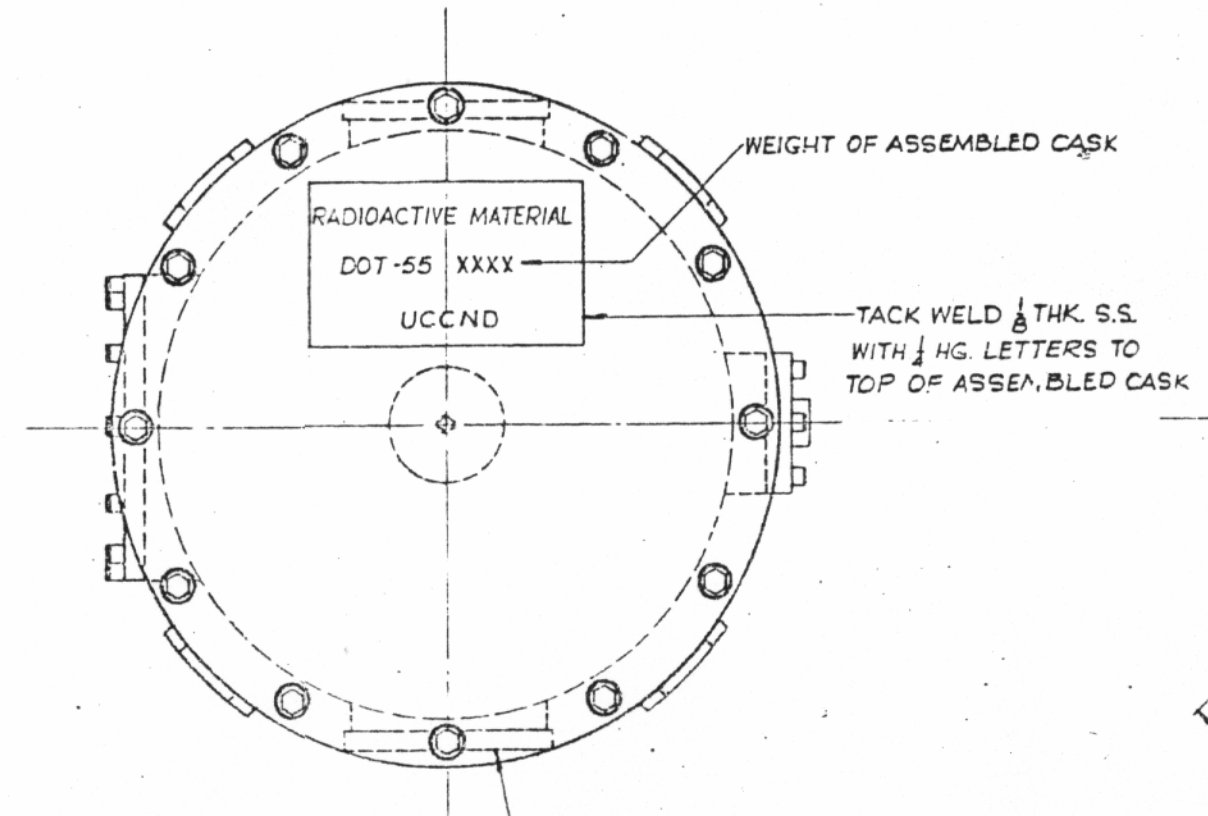
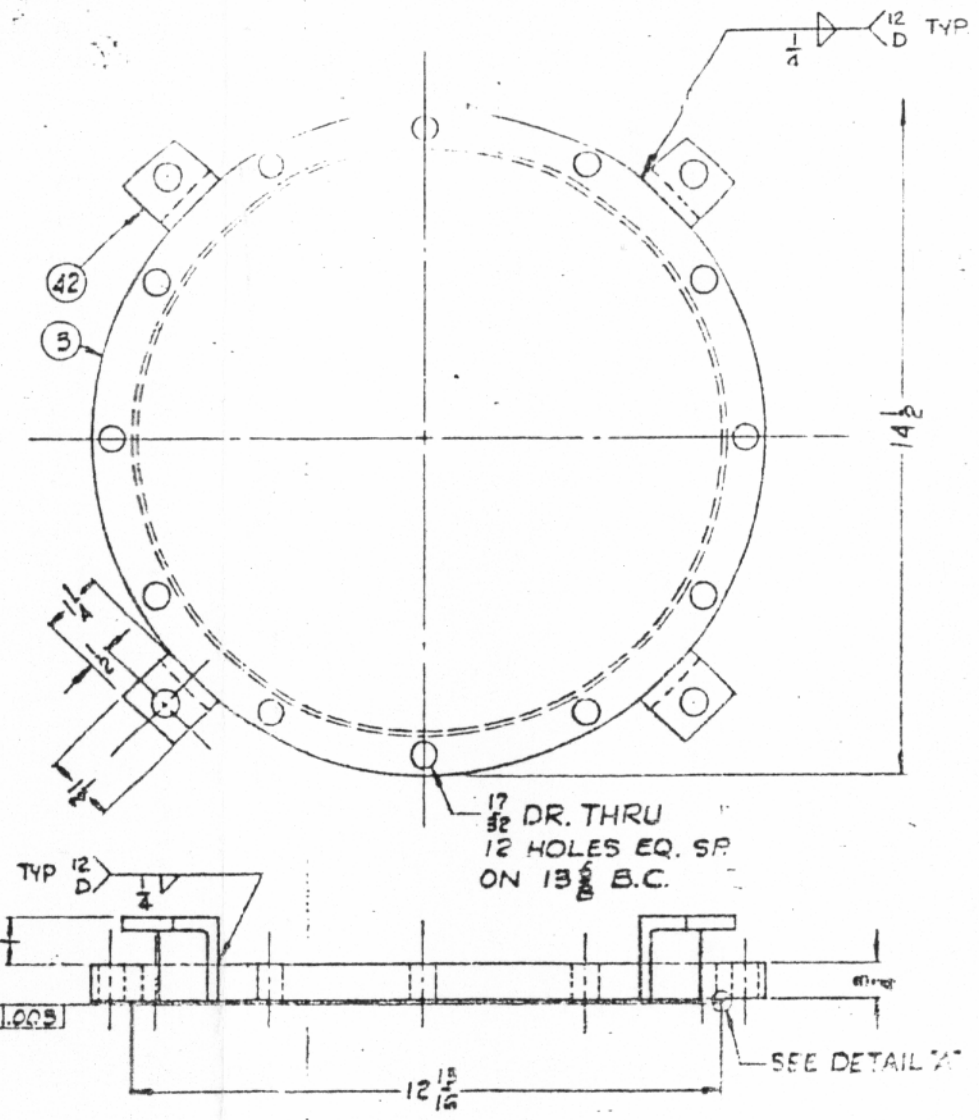


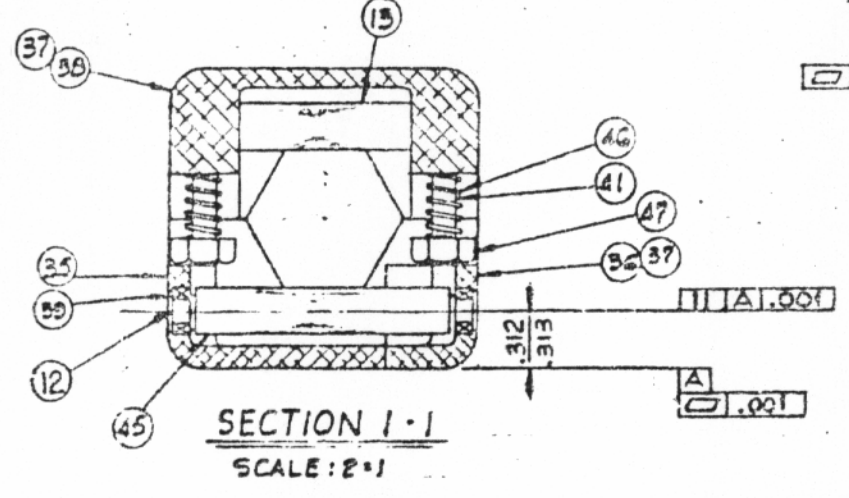
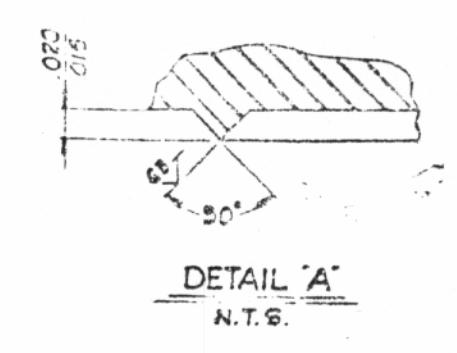
REVISIONS		DATE	APPROVED
1	ADDED NOTES	12/24/61	KOB



ITEMS 1 & 2
SCALE: 1/2"=1"



ITEM 3 #42
SCALE: 1/2"=1"



ITEM 3
SCALE: 1/2"=1"

NOTE:
1. USE HD SPACERS TO ALLOW ROLLER TO TURN FREELY.
2. SHIM AS REQ'D TO ALLOW ROLLER TO TURN WITH NO VERTICAL MOVEMENT.
3. SHIM AS REQ'D TO HOLD DIMENSIONS SHOWN.
4. DRILL ITS 29 #80 FOR A LIGHT PRESS FIT WITH IT #32 AT ASSEMBLY.
5. THE LIFTING FIX. IT #31 SHALL BE LOAD TESTED BY MLD AT 1 1/2 TIMES THE WEIGHT OF THE FULLY ASSEMBLED CASK.

ITEM NO.	DESCRIPTION	QTY
1	304L S.S. E	1
2	1/4 THK 304L S.S. S	2
3	1/4 THK 304L S.S. S	2
4	1/2 304L S.S. S	4
5	1/2 304L S.S. S	4
6	1/2 304L S.S. S	4
7	1/2 304L S.S. S	4
8	1/2 304L S.S. S	4
9	1/2 304L S.S. S	4
10	1/2 304L S.S. S	4
11	1/2 304L S.S. S	4
12	1/2 304L S.S. S	4
13	1/2 304L S.S. S	4
14	1/2 304L S.S. S	4
15	1/2 304L S.S. S	4
16	1/2 304L S.S. S	4
17	1/2 304L S.S. S	4
18	1/2 304L S.S. S	4
19	1/2 304L S.S. S	4
20	1/2 304L S.S. S	4
21	1/2 304L S.S. S	4
22	1/2 304L S.S. S	4
23	1/2 304L S.S. S	4
24	1/2 304L S.S. S	4
25	1/2 304L S.S. S	4
26	1/2 304L S.S. S	4
27	1/2 304L S.S. S	4
28	1/2 304L S.S. S	4
29	1/2 304L S.S. S	4
30	1/2 304L S.S. S	4
31	1/2 304L S.S. S	4
32	1/2 304L S.S. S	4
33	1/2 304L S.S. S	4
34	1/2 304L S.S. S	4
35	1/2 304L S.S. S	4
36	1/2 304L S.S. S	4
37	1/2 304L S.S. S	4
38	1/2 304L S.S. S	4
39	1/2 304L S.S. S	4
40	1/2 304L S.S. S	4
41	1/2 304L S.S. S	4
42	1/2 304L S.S. S	4
43	1/2 304L S.S. S	4
44	1/2 304L S.S. S	4
45	1/2 304L S.S. S	4
46	1/2 304L S.S. S	4
47	1/2 304L S.S. S	4

47	1/2 304L S.S. S	4
48	1/2 304L S.S. S	4
49	1/2 304L S.S. S	4
50	1/2 304L S.S. S	4
51	1/2 304L S.S. S	4
52	1/2 304L S.S. S	4
53	1/2 304L S.S. S	4
54	1/2 304L S.S. S	4
55	1/2 304L S.S. S	4
56	1/2 304L S.S. S	4
57	1/2 304L S.S. S	4
58	1/2 304L S.S. S	4
59	1/2 304L S.S. S	4
60	1/2 304L S.S. S	4

ITEM NO.	DESCRIPTION	QTY
47	1/2 304L S.S. S	4
48	1/2 304L S.S. S	4
49	1/2 304L S.S. S	4
50	1/2 304L S.S. S	4
51	1/2 304L S.S. S	4
52	1/2 304L S.S. S	4
53	1/2 304L S.S. S	4
54	1/2 304L S.S. S	4
55	1/2 304L S.S. S	4
56	1/2 304L S.S. S	4
57	1/2 304L S.S. S	4
58	1/2 304L S.S. S	4
59	1/2 304L S.S. S	4
60	1/2 304L S.S. S	4

D-1