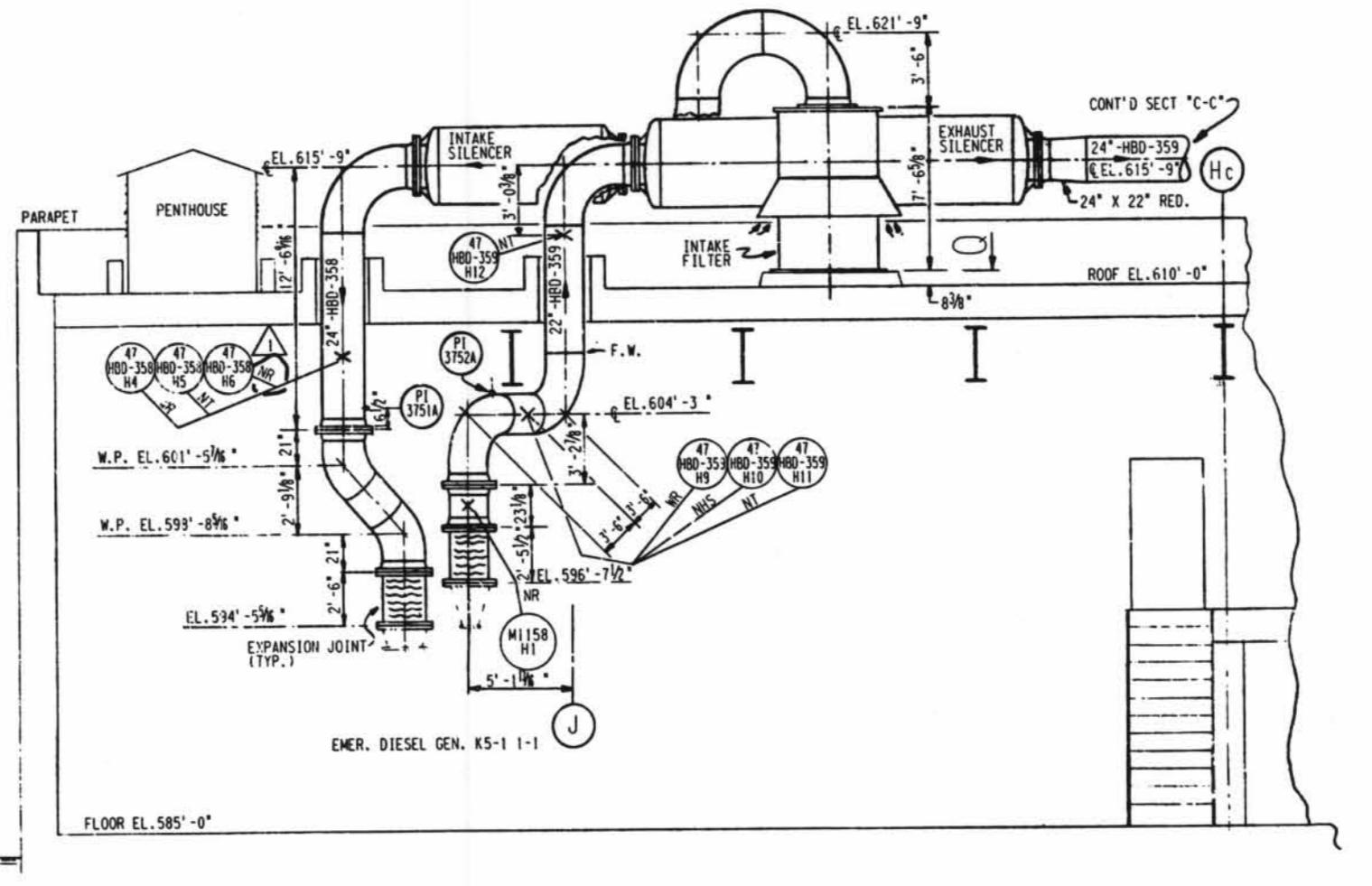
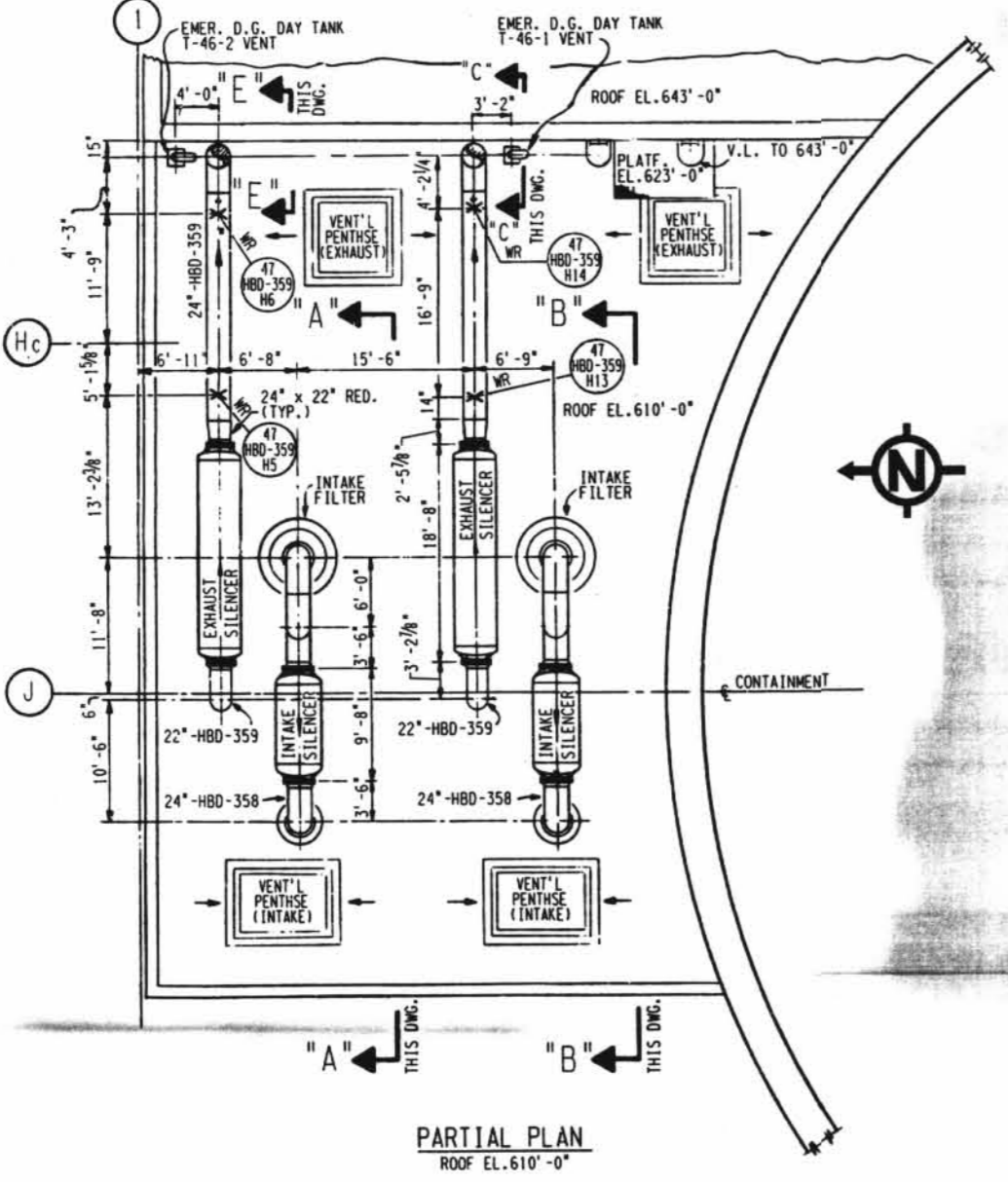


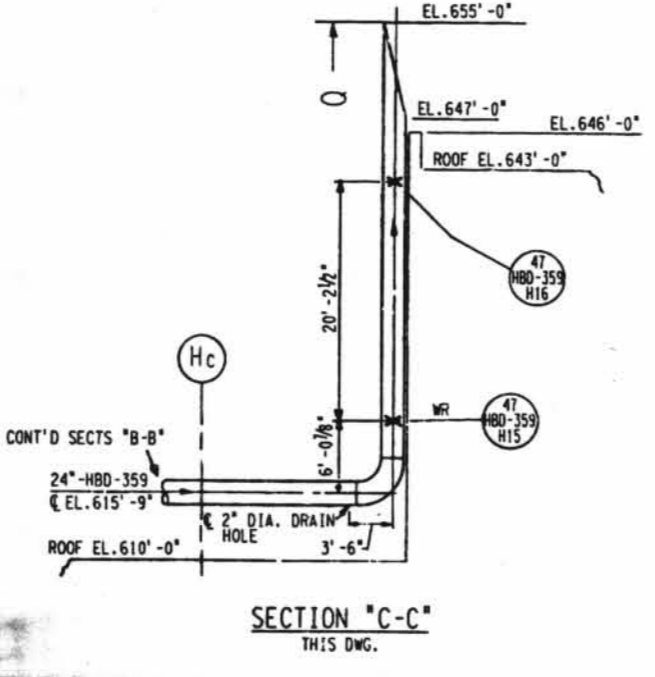
SECTION "A-A"



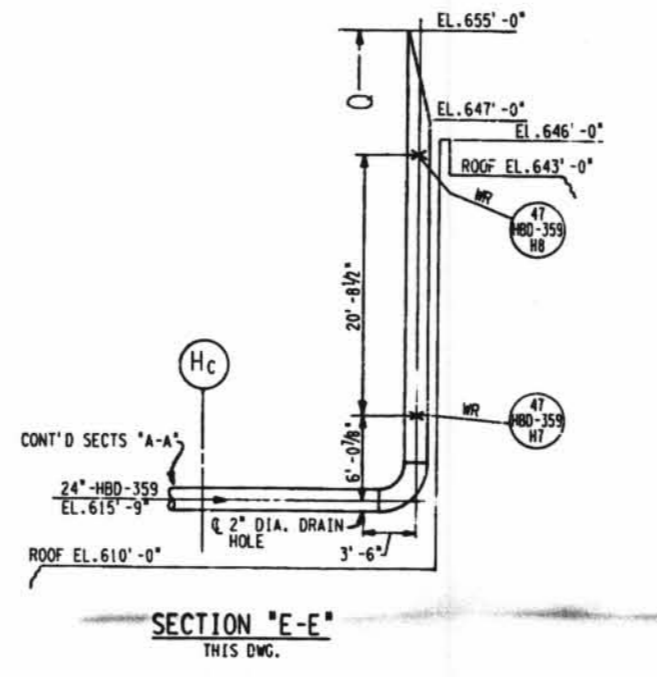
SECTION "B-B"



PARTIAL PLAN
ROOF EL. 610'-0"



SECTION "C-C"
THIS DWG.



SECTION "E-E"
THIS DWG.

LEGEND

- A ANCHOR
- CS CONSTANT SPRING HANGER
- VS VARIABLE SPRING HANGER
- HS HYDRAULIC SNUBBER
- MS MECHANICAL SNUBBER
- N NON-WELDED SUPPORT ATTACHMENT
- W WELDED INTEGRAL SUPPORT ATTACHMENT
- R RIGID SUPPORT
- T SWAY STRUT

NOTES:

1. MULTIPLE SWAY STRUTS, SPRING SUPPORTS OR SNUBBERS IN A SINGLE PIPING SUPPORT ARE SHOWN BY A NUMBER BEFORE THE SUPPORT TYPE. (EXAMPLE: 2MS - TWO MECHANICAL TYPE SNUBBERS THAT ARE NOT WELDED INTEGRAL TO THE PIPE).
2. ALL PIPING AND SUPPORTS ON THIS DRAWING ARE ASME, SECTION XI, CLASS 3.

GENERAL NOTE

DIMENSIONS SHOWN ON THIS DRAWING ARE TO BE USED FOR APPROXIMATE LOCATION ONLY. USE DESIGN DRAWINGS FOR DIMENSIONAL VERIFICATION.

REFERENCE DRAWINGS:

IS102-0170 "DIESEL GENERATORS AIR START"

D-149

NO.	DATE	REVISIONS	BY	CHKD.	APP.
SCALE NONE					
DESIGNED C. DAFT					
DRAWN D. KURTZ					
DATE 10-21-93					
DAVIS-BESSE NUCLEAR POWER STATION UNIT NO. 1					
INSERVICE INSPECTION ISOMETRIC EMERGENCY DIESEL GENERATOR AIR INTAKE & EXHAUST					
DRAWING NO. IS1M2-268D					REV. 1

08 07-18-96

DNV-ADMP52/151M/214268D - DGN/PT04

THIS DRAWING IS THE PROPERTY OF THE COMPANY AND IS NOT TO BE REPRODUCED OR TRANSMITTED IN ANY FORM OR BY ANY MEANS, ELECTRONIC OR MECHANICAL, INCLUDING PHOTOCOPYING, RECORDING, OR BY ANY INFORMATION STORAGE AND RETRIEVAL SYSTEM, WITHOUT THE WRITTEN PERMISSION OF THE COMPANY.