

LEGEND

- ASME SECTION XI CLASS 1 PIPING
- - - ASME SECTION XI CLASS 2 PIPING
- ASME SECTION XI CLASS 3 PIPING
- NON-151 NUCLEAR CLASS AND HSC CLASS
- PRESSURE BOUNDARY EXTENSION
- REFERENCE & CONTINUITY
- O - D - HVAC DUCT
- A ANCHOR
- CS CONSTANT SPRING HANGER
- VS VARIABLE SPRING HANGER
- HS HYDRAULIC SNUBBER
- MS MECHANICAL SNUBBER
- N NON-WELDED SUPPORT ATTACHMENT
- V WELDED INTEGRAL SUPPORT ATTACHMENT
- R RIGID SUPPORT
- T SWAY STRUT
- SW SHOP WELD
- FW FIELD WELD
- LW LONGITUDINAL WELD
- WGL WELDOLET
- IS1 ITEM NUMBER DESIGNATION USED IN THE FIRST 10 YEAR INSERVICE INSPECTION INTERVAL.

NOTES:

1. THERE ARE NO SPOOL NUMBERS ON THIS DRAWING.
2. MULTIPLE SWAY STRUTS, SPRING SUPPORTS OR SNUBBERS IN A SINGLE PIPING SUPPORT ARE SHOWN BY A NUMBER BEFORE THE SUPPORT TYPE. (EXAMPLE: 2MS - TWO HYDRAULIC TYPE SNUBBERS THAT ARE NOT WELDED INTEGRAL TO THE PIPE).
3. THE SUPPORTS ON THE SERVICE WATER LINE 6" HSC-43 ARE WITHIN THE 151 EXAMINATION BOUNDARY. THE PIPING WELDS IN THIS LINE ARE SHOWN FOR REFERENCE PURPOSES ONLY. THESE WELDS MAY NOT BE REPRESENTED IN THE ACTUAL AS-BUILT CONDITION.
4. PIPING SYSTEMS ON THIS DRAWING WHICH ARE OUTSIDE OF THE 151 BOUNDARY, ARE SHOWN FOR REFERENCE AND CONTINUITY PURPOSES ONLY. THE CONFIGURATION SHOWN MAY NOT REPRESENT THE ACTUAL AS-BUILT CONDITION.

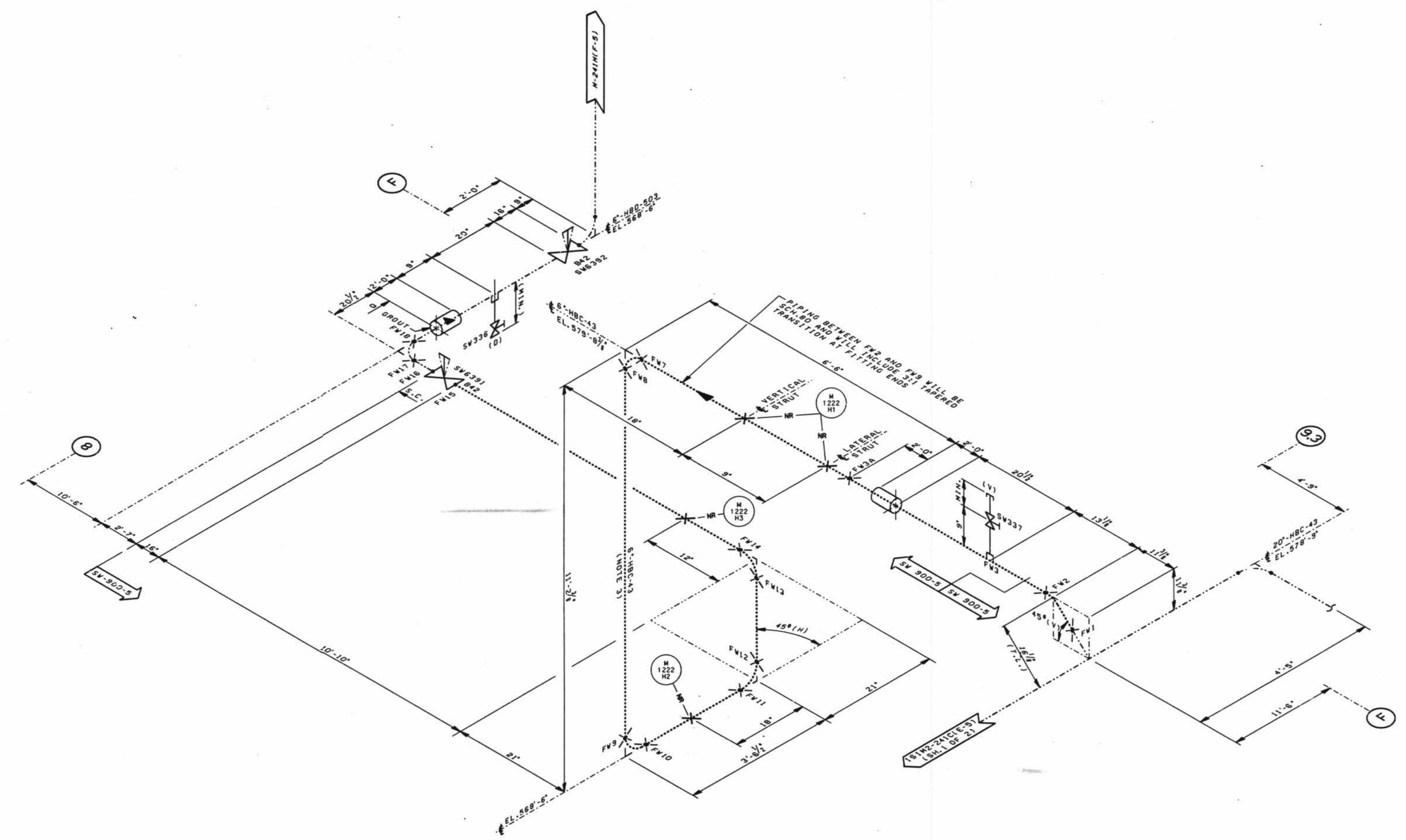
REFERENCE DRAWINGS:

15102-0418 PRIMARY SERVICE WATER SYSTEM

GENERAL NOTE:

DIMENSIONS SHOWN ON THIS DRAWING ARE TO BE USED FOR APPROXIMATE LOCATION ONLY. USE DESIGN DRAWINGS FOR DIMENSIONAL VERIFICATION.

D-147



NO.	REV.	DATE	BY	CHKD.	APP.
PROJECT: DAVIS-BESSE NUCLEAR POWER STATION UNIT NO. 1 TITLE: INSERVICE INSPECTION ISOMETRIC SERVICE WATER SYSTEM AUXILIARY BLDG-SUPPLY TO MOTOR DRIVEN FEED PUMP DRAWING NO.: ISIM2-241M SHEET NO.: 1					