

LEGEND

- ASME SECTION XI CLASS 1 PIPING
 - ASME SECTION XI CLASS 2 PIPING
 - ASME SECTION XI CLASS 3 PIPING
 - NON-ISI NUCLEAR CLASS AND NSC CLASS
 - PRESSURE BOUNDARY EXTENSION
 - REFERENCE B CONTINUITY
 - HVAC DUCT
 - ANCHOR
 - CONSTANT SPRING HANGER
 - VARIABLE SPRING HANGER
 - HYDRAULIC SNUBBER
 - MECHANICAL SNUBBER
 - NON-WELDED SUPPORT ATTACHMENT
 - WELDED INTEGRAL SUPPORT ATTACHMENT
 - RIGID SUPPORT
 - SWAY STRUT
 - SHOP WELD
 - FIELD WELD
 - LONGITUDINAL WELD
 - WELDELET
- ISI ITEM NUMBER DESIGNATION USED IN THE FIRST 10 YEAR INSERVICE INSPECTION INTERVAL.

NOTES:

1. MULTIPLE SWAY STRUTS, SPRING SUPPORTS OR SNUBBERS IN A SINGLE PIPING SUPPORT ARE SHOWN BY A NUMBER BEFORE THE SUPPORT TYPE. (EXAMPLE: 2MS - TWO HYDRAULIC TYPE SNUBBERS THAT ARE NOT WELDED INTEGRAL TO THE PIPE).
2. THE QUENCH TANK DRAIN LINE 3"-HCB-22 WELDS AND SUPPORTS ARE EXEMPT FROM INSERVICE EXAMINATION REQUIREMENTS PER IFC 1220. THE WELDS AND SUPPORTS SHOWN MAY NOT REPRESENT THE ACTUAL AS-BUILT CONDITION.
3. PIPING SYSTEMS ON THIS DRAWING WHICH ARE OUTSIDE OF THE ISI BOUNDARY, ARE SHOWN FOR REFERENCE AND CONTINUITY PURPOSES ONLY. THE CONFIGURATION SHOWN MAY NOT REPRESENT THE ACTUAL AS-BUILT CONDITION.

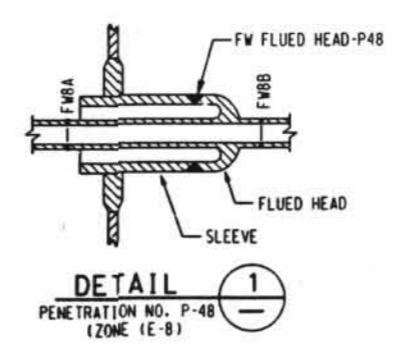
GENERAL NOTE:

DIMENSIONS SHOWN ON THIS DRAWING ARE TO BE USED FOR APPROXIMATE LOCATION ONLY. USE DESIGN DRAWINGS FOR DIMENSIONAL VERIFICATION.

REFERENCE DRAWINGS:

15102-040A REACTOR COOLANT SYSTEM DETAILS

D-129



REV	DATE	DESCRIPTION	BY	CHKD	APP'D
1	10/15/88	ISSUED FOR SECOND TO YEAR ISI	CB	GP/LLC	WSP/ECC
2	10/15/88	ISSUED FOR SECOND TO YEAR ISI	CB	GP/LLC	WSP/ECC
3	10/15/88	ISSUED FOR SECOND TO YEAR ISI	CB	GP/LLC	WSP/ECC
4	10/15/88	ISSUED FOR SECOND TO YEAR ISI	CB	GP/LLC	WSP/ECC
5	10/15/88	ISSUED FOR SECOND TO YEAR ISI	CB	GP/LLC	WSP/ECC
6	10/15/88	ISSUED FOR SECOND TO YEAR ISI	CB	GP/LLC	WSP/ECC
7	10/15/88	ISSUED FOR SECOND TO YEAR ISI	CB	GP/LLC	WSP/ECC
8	10/15/88	ISSUED FOR SECOND TO YEAR ISI	CB	GP/LLC	WSP/ECC
9	10/15/88	ISSUED FOR SECOND TO YEAR ISI	CB	GP/LLC	WSP/ECC
10	10/15/88	ISSUED FOR SECOND TO YEAR ISI	CB	GP/LLC	WSP/ECC
11	10/15/88	ISSUED FOR SECOND TO YEAR ISI	CB	GP/LLC	WSP/ECC
12	10/15/88	ISSUED FOR SECOND TO YEAR ISI	CB	GP/LLC	WSP/ECC
13	10/15/88	ISSUED FOR SECOND TO YEAR ISI	CB	GP/LLC	WSP/ECC
14	10/15/88	ISSUED FOR SECOND TO YEAR ISI	CB	GP/LLC	WSP/ECC
15	10/15/88	ISSUED FOR SECOND TO YEAR ISI	CB	GP/LLC	WSP/ECC
16	10/15/88	ISSUED FOR SECOND TO YEAR ISI	CB	GP/LLC	WSP/ECC
17	10/15/88	ISSUED FOR SECOND TO YEAR ISI	CB	GP/LLC	WSP/ECC
18	10/15/88	ISSUED FOR SECOND TO YEAR ISI	CB	GP/LLC	WSP/ECC
19	10/15/88	ISSUED FOR SECOND TO YEAR ISI	CB	GP/LLC	WSP/ECC
20	10/15/88	ISSUED FOR SECOND TO YEAR ISI	CB	GP/LLC	WSP/ECC
21	10/15/88	ISSUED FOR SECOND TO YEAR ISI	CB	GP/LLC	WSP/ECC
22	10/15/88	ISSUED FOR SECOND TO YEAR ISI	CB	GP/LLC	WSP/ECC
23	10/15/88	ISSUED FOR SECOND TO YEAR ISI	CB	GP/LLC	WSP/ECC
24	10/15/88	ISSUED FOR SECOND TO YEAR ISI	CB	GP/LLC	WSP/ECC
25	10/15/88	ISSUED FOR SECOND TO YEAR ISI	CB	GP/LLC	WSP/ECC
26	10/15/88	ISSUED FOR SECOND TO YEAR ISI	CB	GP/LLC	WSP/ECC
27	10/15/88	ISSUED FOR SECOND TO YEAR ISI	CB	GP/LLC	WSP/ECC
28	10/15/88	ISSUED FOR SECOND TO YEAR ISI	CB	GP/LLC	WSP/ECC
29	10/15/88	ISSUED FOR SECOND TO YEAR ISI	CB	GP/LLC	WSP/ECC
30	10/15/88	ISSUED FOR SECOND TO YEAR ISI	CB	GP/LLC	WSP/ECC
31	10/15/88	ISSUED FOR SECOND TO YEAR ISI	CB	GP/LLC	WSP/ECC
32	10/15/88	ISSUED FOR SECOND TO YEAR ISI	CB	GP/LLC	WSP/ECC
33	10/15/88	ISSUED FOR SECOND TO YEAR ISI	CB	GP/LLC	WSP/ECC
34	10/15/88	ISSUED FOR SECOND TO YEAR ISI	CB	GP/LLC	WSP/ECC
35	10/15/88	ISSUED FOR SECOND TO YEAR ISI	CB	GP/LLC	WSP/ECC
36	10/15/88	ISSUED FOR SECOND TO YEAR ISI	CB	GP/LLC	WSP/ECC
37	10/15/88	ISSUED FOR SECOND TO YEAR ISI	CB	GP/LLC	WSP/ECC
38	10/15/88	ISSUED FOR SECOND TO YEAR ISI	CB	GP/LLC	WSP/ECC
39	10/15/88	ISSUED FOR SECOND TO YEAR ISI	CB	GP/LLC	WSP/ECC
40	10/15/88	ISSUED FOR SECOND TO YEAR ISI	CB	GP/LLC	WSP/ECC
41	10/15/88	ISSUED FOR SECOND TO YEAR ISI	CB	GP/LLC	WSP/ECC
42	10/15/88	ISSUED FOR SECOND TO YEAR ISI	CB	GP/LLC	WSP/ECC
43	10/15/88	ISSUED FOR SECOND TO YEAR ISI	CB	GP/LLC	WSP/ECC
44	10/15/88	ISSUED FOR SECOND TO YEAR ISI	CB	GP/LLC	WSP/ECC
45	10/15/88	ISSUED FOR SECOND TO YEAR ISI	CB	GP/LLC	WSP/ECC
46	10/15/88	ISSUED FOR SECOND TO YEAR ISI	CB	GP/LLC	WSP/ECC
47	10/15/88	ISSUED FOR SECOND TO YEAR ISI	CB	GP/LLC	WSP/ECC
48	10/15/88	ISSUED FOR SECOND TO YEAR ISI	CB	GP/LLC	WSP/ECC
49	10/15/88	ISSUED FOR SECOND TO YEAR ISI	CB	GP/LLC	WSP/ECC
50	10/15/88	ISSUED FOR SECOND TO YEAR ISI	CB	GP/LLC	WSP/ECC
51	10/15/88	ISSUED FOR SECOND TO YEAR ISI	CB	GP/LLC	WSP/ECC
52	10/15/88	ISSUED FOR SECOND TO YEAR ISI	CB	GP/LLC	WSP/ECC
53	10/15/88	ISSUED FOR SECOND TO YEAR ISI	CB	GP/LLC	WSP/ECC
54	10/15/88	ISSUED FOR SECOND TO YEAR ISI	CB	GP/LLC	WSP/ECC
55	10/15/88	ISSUED FOR SECOND TO YEAR ISI	CB	GP/LLC	WSP/ECC
56	10/15/88	ISSUED FOR SECOND TO YEAR ISI	CB	GP/LLC	WSP/ECC
57	10/15/88	ISSUED FOR SECOND TO YEAR ISI	CB	GP/LLC	WSP/ECC
58	10/15/88	ISSUED FOR SECOND TO YEAR ISI	CB	GP/LLC	WSP/ECC
59	10/15/88	ISSUED FOR SECOND TO YEAR ISI	CB	GP/LLC	WSP/ECC
60	10/15/88	ISSUED FOR SECOND TO YEAR ISI	CB	GP/LLC	WSP/ECC
61	10/15/88	ISSUED FOR SECOND TO YEAR ISI	CB	GP/LLC	WSP/ECC
62	10/15/88	ISSUED FOR SECOND TO YEAR ISI	CB	GP/LLC	WSP/ECC
63	10/15/88	ISSUED FOR SECOND TO YEAR ISI	CB	GP/LLC	WSP/ECC
64	10/15/88	ISSUED FOR SECOND TO YEAR ISI	CB	GP/LLC	WSP/ECC
65	10/15/88	ISSUED FOR SECOND TO YEAR ISI	CB	GP/LLC	WSP/ECC
66	10/15/88	ISSUED FOR SECOND TO YEAR ISI	CB	GP/LLC	WSP/ECC
67	10/15/88	ISSUED FOR SECOND TO YEAR ISI	CB	GP/LLC	WSP/ECC
68	10/15/88	ISSUED FOR SECOND TO YEAR ISI	CB	GP/LLC	WSP/ECC
69	10/15/88	ISSUED FOR SECOND TO YEAR ISI	CB	GP/LLC	WSP/ECC
70	10/15/88	ISSUED FOR SECOND TO YEAR ISI	CB	GP/LLC	WSP/ECC
71	10/15/88	ISSUED FOR SECOND TO YEAR ISI	CB	GP/LLC	WSP/ECC
72	10/15/88	ISSUED FOR SECOND TO YEAR ISI	CB	GP/LLC	WSP/ECC
73	10/15/88	ISSUED FOR SECOND TO YEAR ISI	CB	GP/LLC	WSP/ECC
74	10/15/88	ISSUED FOR SECOND TO YEAR ISI	CB	GP/LLC	WSP/ECC
75	10/15/88	ISSUED FOR SECOND TO YEAR ISI	CB	GP/LLC	WSP/ECC
76	10/15/88	ISSUED FOR SECOND TO YEAR ISI	CB	GP/LLC	WSP/ECC
77	10/15/88	ISSUED FOR SECOND TO YEAR ISI	CB	GP/LLC	WSP/ECC
78	10/15/88	ISSUED FOR SECOND TO YEAR ISI	CB	GP/LLC	WSP/ECC
79	10/15/88	ISSUED FOR SECOND TO YEAR ISI	CB	GP/LLC	WSP/ECC
80	10/15/88	ISSUED FOR SECOND TO YEAR ISI	CB	GP/LLC	WSP/ECC
81	10/15/88	ISSUED FOR SECOND TO YEAR ISI	CB	GP/LLC	WSP/ECC
82	10/15/88	ISSUED FOR SECOND TO YEAR ISI	CB	GP/LLC	WSP/ECC
83	10/15/88	ISSUED FOR SECOND TO YEAR ISI	CB	GP/LLC	WSP/ECC
84	10/15/88	ISSUED FOR SECOND TO YEAR ISI	CB	GP/LLC	WSP/ECC
85	10/15/88	ISSUED FOR SECOND TO YEAR ISI	CB	GP/LLC	WSP/ECC
86	10/15/88	ISSUED FOR SECOND TO YEAR ISI	CB	GP/LLC	WSP/ECC
87	10/15/88	ISSUED FOR SECOND TO YEAR ISI	CB	GP/LLC	WSP/ECC
88	10/15/88	ISSUED FOR SECOND TO YEAR ISI	CB	GP/LLC	WSP/ECC
89	10/15/88	ISSUED FOR SECOND TO YEAR ISI	CB	GP/LLC	WSP/ECC
90	10/15/88	ISSUED FOR SECOND TO YEAR ISI	CB	GP/LLC	WSP/ECC
91	10/15/88	ISSUED FOR SECOND TO YEAR ISI	CB	GP/LLC	WSP/ECC
92	10/15/88	ISSUED FOR SECOND TO YEAR ISI	CB	GP/LLC	WSP/ECC
93	10/15/88	ISSUED FOR SECOND TO YEAR ISI	CB	GP/LLC	WSP/ECC
94	10/15/88	ISSUED FOR SECOND TO YEAR ISI	CB	GP/LLC	WSP/ECC
95	10/15/88	ISSUED FOR SECOND TO YEAR ISI	CB	GP/LLC	WSP/ECC
96	10/15/88	ISSUED FOR SECOND TO YEAR ISI	CB	GP/LLC	WSP/ECC
97	10/15/88	ISSUED FOR SECOND TO YEAR ISI	CB	GP/LLC	WSP/ECC
98	10/15/88	ISSUED FOR SECOND TO YEAR ISI	CB	GP/LLC	WSP/ECC
99	10/15/88	ISSUED FOR SECOND TO YEAR ISI	CB	GP/LLC	WSP/ECC
100	10/15/88	ISSUED FOR SECOND TO YEAR ISI	CB	GP/LLC	WSP/ECC

DAVIS-BESSE NUCLEAR POWER STATION
UNIT NO. 1
INSERVICE INSPECTION ISOMETRIC
QUENCH TANK DRAIN SYSTEM
CONTAINMENT - AUXILIARY BUILDING
ISIM2-240B 2
30X