

- LEGEND**
- ASME SECTION XI CLASS 1 PIPING
 - - - ASME SECTION XI CLASS 2 PIPING
 - ASME SECTION XI CLASS 3 PIPING
 - NON-ISI NUCLEAR CLASS AND HSC CLASS
 - PRESSURE BOUNDARY EXTENSION
 - REFERENCE B CONTINUITY
 - D - D - HVAC DUCT
 - A ANCHOR
 - CS CONSTANT SPRING HANGER
 - VS VARIABLE SPRING HANGER
 - HS HYDRAULIC SNUBBER
 - MS MECHANICAL SNUBBER
 - N NON-WELDED SUPPORT ATTACHMENT
 - W WELDED INTEGRAL SUPPORT ATTACHMENT
 - R RIGID SUPPORT
 - T SWAY STRUT
 - SW SHOP WELD
 - FW FIELD WELD
 - LW LONGITUDINAL WELD
 - WOL WELDOLET
 - ISI ITEM NUMBER DESIGNATION USED IN THE FIRST 10 YEAR INSERVICE INSPECTION INTERVAL.

- NOTES:**
1. MULTIPLE SWAY STRUTS, SPRING SUPPORTS OR SNUBBERS IN A SINGLE PIPING SUPPORT ARE SHOWN BY A NUMBER BEFORE THE SUPPORT TYPE. (EXAMPLE: 2MS - TWO MECHANICAL TYPE SNUBBERS THAT ARE NOT WELDED INTEGRAL TO THE PIPE).
 2. THE CORE FLOODING TANK NO. 1 IS 1" AND SUPPORTS ARE EXEMPT FROM INSERVICE EXAMINATION REQUIREMENTS PER 10 CFR 50.55. THE WELDS AND SUPPORTS SHOWN MAY NOT REPRESENT THE ACTUAL AS-BUILT CONDITION.

GENERAL NOTE:
DIMENSIONS SHOWN ON THIS DRAWING ARE TO BE USED FOR APPROXIMATE LOCATION ONLY. USE DESIGN DRAWINGS FOR DIMENSIONAL VERIFICATION.

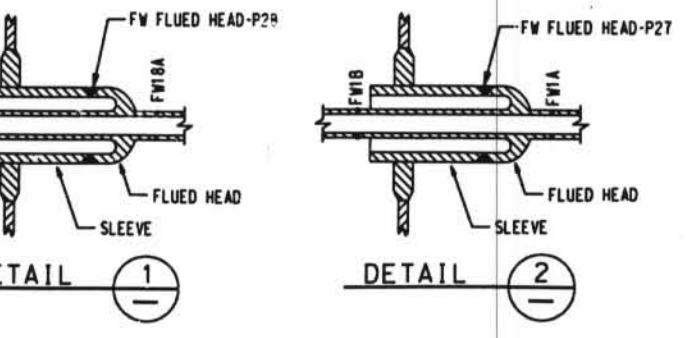
REFERENCE DRAWINGS:
15100-0338 BEAR HEAT TRAIN 1
15100-034 ECCS CONTAINMENT SPRAY B CORE FLOODING SYSTEMS

D-094

REV	DATE	BY	CHKD	DESCRIPTION
1	11/14/83	JFS	JFS	ISSUED FOR SECOND 10 YEAR ISI PROGRAM
2	11/14/83	JFS	JFS	ISSUED FOR SECOND 10 YEAR ISI PROGRAM
3	11/14/83	JFS	JFS	ISSUED FOR SECOND 10 YEAR ISI PROGRAM
4	11/14/83	JFS	JFS	ISSUED FOR SECOND 10 YEAR ISI PROGRAM
5	11/14/83	JFS	JFS	ISSUED FOR SECOND 10 YEAR ISI PROGRAM
6	11/14/83	JFS	JFS	ISSUED FOR SECOND 10 YEAR ISI PROGRAM
7	11/14/83	JFS	JFS	ISSUED FOR SECOND 10 YEAR ISI PROGRAM
8	11/14/83	JFS	JFS	ISSUED FOR SECOND 10 YEAR ISI PROGRAM
9	11/14/83	JFS	JFS	ISSUED FOR SECOND 10 YEAR ISI PROGRAM
10	11/14/83	JFS	JFS	ISSUED FOR SECOND 10 YEAR ISI PROGRAM
11	11/14/83	JFS	JFS	ISSUED FOR SECOND 10 YEAR ISI PROGRAM
12	11/14/83	JFS	JFS	ISSUED FOR SECOND 10 YEAR ISI PROGRAM
13	11/14/83	JFS	JFS	ISSUED FOR SECOND 10 YEAR ISI PROGRAM
14	11/14/83	JFS	JFS	ISSUED FOR SECOND 10 YEAR ISI PROGRAM
15	11/14/83	JFS	JFS	ISSUED FOR SECOND 10 YEAR ISI PROGRAM
16	11/14/83	JFS	JFS	ISSUED FOR SECOND 10 YEAR ISI PROGRAM
17	11/14/83	JFS	JFS	ISSUED FOR SECOND 10 YEAR ISI PROGRAM
18	11/14/83	JFS	JFS	ISSUED FOR SECOND 10 YEAR ISI PROGRAM
19	11/14/83	JFS	JFS	ISSUED FOR SECOND 10 YEAR ISI PROGRAM
20	11/14/83	JFS	JFS	ISSUED FOR SECOND 10 YEAR ISI PROGRAM
21	11/14/83	JFS	JFS	ISSUED FOR SECOND 10 YEAR ISI PROGRAM
22	11/14/83	JFS	JFS	ISSUED FOR SECOND 10 YEAR ISI PROGRAM
23	11/14/83	JFS	JFS	ISSUED FOR SECOND 10 YEAR ISI PROGRAM
24	11/14/83	JFS	JFS	ISSUED FOR SECOND 10 YEAR ISI PROGRAM
25	11/14/83	JFS	JFS	ISSUED FOR SECOND 10 YEAR ISI PROGRAM
26	11/14/83	JFS	JFS	ISSUED FOR SECOND 10 YEAR ISI PROGRAM
27	11/14/83	JFS	JFS	ISSUED FOR SECOND 10 YEAR ISI PROGRAM
28	11/14/83	JFS	JFS	ISSUED FOR SECOND 10 YEAR ISI PROGRAM
29	11/14/83	JFS	JFS	ISSUED FOR SECOND 10 YEAR ISI PROGRAM
30	11/14/83	JFS	JFS	ISSUED FOR SECOND 10 YEAR ISI PROGRAM

DAVIS-BESSE NUCLEAR POWER STATION
UNIT NO. 1
INSERVICE INSPECTION ISOMETRIC
L.P. INJECTION-CORE FLOODING SYS.
CTMT. BLUG.

ISIM2-234A 2



I CERTIFY THAT THE INFORMATION CONTAINED ON THIS DRAWING WAS MADE IN THE NORMAL AND REGULAR COURSE OF BUSINESS, ON THE DATE STATED HEREIN AND THAT IT IS ACCURATE AND CORRECT TO THE BEST OF MY KNOWLEDGE AND BELIEF.