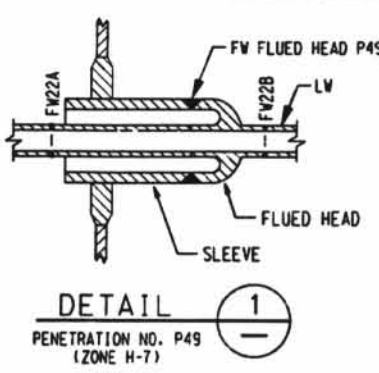


- LEGEND**
- ASME SECTION XI CLASS 1 PIPING
  - ASME SECTION XI CLASS 2 PIPING
  - ASME SECTION XI CLASS 3 PIPING
  - NON-ISI NUCLEAR CLASS AND HSC CLASS
  - PRESSURE BOUNDARY EXTENSION
  - REFERENCE & CONTINUITY
  - D-D-HVAC DUCT
  - A ANCHOR
  - CS CONSTANT SPRING HANGER
  - VS VARIABLE SPRING HANGER
  - HS HYDRAULIC SNUBBER
  - MS MECHANICAL SNUBBER
  - N NON-WELDED SUPPORT ATTACHMENT
  - V WELDED INTEGRAL SUPPORT ATTACHMENT
  - R RIGID SUPPORT
  - T SWAY STRUT
  - SW SHOP WELD
  - FW FIELD WELD
  - LW LONGITUDINAL WELD
  - WOL WELDLET
  - ISI ITEM NUMBER DESIGNATION USED IN THE FIRST 10 YEAR INSERVICE INSPECTION INTERVAL.

- NOTES:**
1. MULTIPLE SWAY STRUTS, SPRING SUPPORTS OR SNUBBERS IN A SINGLE PIPING SUPPORT ARE SHOWN BY A NUMBER BEFORE THE SUPPORT TYPE. (EXAMPLE: 2MS - TWO HYDRAULIC TYPE SNUBBERS THAT ARE NOT WELDED INTEGRAL TO THE PIPE).
  2. PIPING SYSTEMS ON THIS DRAWING WHICH ARE OUTSIDE OF THE ISI BOUNDARY, ARE SHOWN FOR REFERENCE AND CONTINUITY PURPOSES ONLY. THE CONFIGURATION SHOWN MAY NOT REPRESENT THE ACTUAL AS-BUILT CONDITION.

**GENERAL NOTE**  
DIMENSIONS SHOWN ON THIS DRAWING ARE TO BE USED FOR APPROXIMATE LOCATION ONLY. USE DESIGN DRAWINGS FOR DIMENSIONAL VERIFICATION.

**REFERENCE DRAWINGS:**  
15102-0338 DECAY HEAT TRIN 1



REV	DATE	BY	CHK'D	APP'D	DESCRIPTION
1	08/11/01	JPS			ISSUED FOR SECOND 10 YEAR ISI PROGRAM
2	08/11/01	LPM			ISSUED FOR SECOND 10 YEAR ISI PROGRAM

ENC. DCN 151M2-2330-1 FOR DCN 91-0011

DAVIS-BESSE NUCLEAR POWER STATION UNIT NO. 1

INSERVICE INSPECTION ISOMETRIC FUELING CANAL AND IN-CORE TANK FILL AND DRAIN SYSTEM CONTAINMENT BUILDING

ISIM2-2336 1

D-092