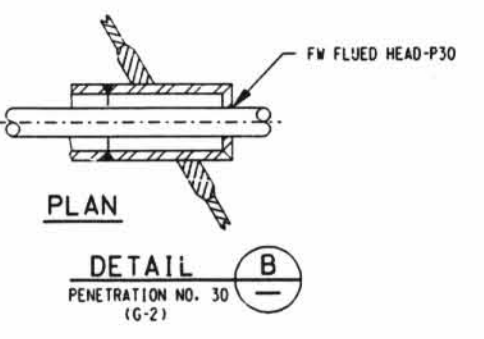


- LEGEND**
- ASME SECTION 1 CLASS 1 PIPING
  - - - ASME SECTION 1 CLASS 2 PIPING
  - ..... ASME SECTION 1 CLASS 3 PIPING
  - ..... NON-151 NUCLEAR CLASS AND HSC CLASS
  - ..... PRESSURE BOUNDARY EXTENSION
  - ..... REFERENCE B CONTINUITY
  - - - - HVAC DUCT
- NOTES:**
- MULTIPLE SWAY STRUTS, SPRING SUPPORTS OR SNUBBERS IN A SINGLE PIPING SUPPORT ARE SHOWN BY A NUMBER BEFORE THE SUPPORT TYPE (EXAMPLE: SWAY TWO HYDRAULIC TYPE SNUBBERS THAT ARE NOT WELDED INTEGRAL TO THE PIPE).
- GENERAL NOTE**
- DIMENSIONS SHOWN ON THIS DRAWING ARE TO BE USED FOR APPROXIMATE LOCATION ONLY. USE DESIGN DRAWINGS FOR DIMENSIONAL VERIFICATION.

- REFERENCE DRAWINGS:**
- 15102-031A HIGH PRESSURE INJECTION
  - 15102-033C DECAT HEAT TRAIN 2
  - 15102-034 ECCS CONTAINMENT SPRAY & CORE FLOODING SYSTEM

D-079



NO.	DATE	REVISION	BY	CHKD	APP'D
1		ISSUED FOR SECOND 10 YEAR ISI PROGRAM			
INC. DGN 151M2-2338-8 PER DOR 91-02111 GEN. UPDATE REMOVED DUPLICATE DIMS. 1-ZONE E-11 PER DWS. HL-2338 1-ZONE C-61 INC. DGN 151M2-2338-7 FOR AREA 91-02111 INC. DGN 151M2-2338-6 FOR AREA 91-02111 INC. DGN 151M2-2338-5 FOR AREA 91-02111 INC. DGN 151M2-2338-4 FOR AREA 91-02111 INC. DGN 151M2-2338-3 FOR AREA 91-02111 INC. DGN 151M2-2338-2 FOR AREA 91-02111 INC. DGN 151M2-2338-1 FOR AREA 91-02111					
DAVIS-BESSE NUCLEAR POWER STATION UNIT NO. 1 INSERVICE INSPECTION ISOMETRIC EMERGENCY CORE COOLING SYSTEMS PUMP SUCTION PIPING					
DRAWING NO.			REV.		
151M2-2338			4		
SHEET 1					

30X