

LEGEND

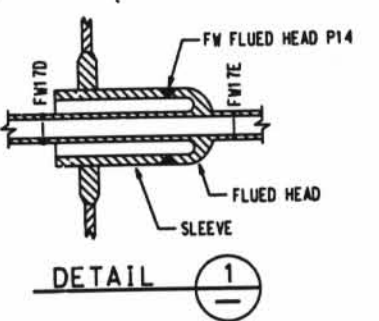
- ASME SECTION XI CLASS 1 PIPING
- ASME SECTION XI CLASS 2 PIPING
- ASME SECTION XI CLASS 3 PIPING
- NON-151 NUCLEAR CLASS AND HSC CLASS
- PRESSURE BOUNDARY EXTENSION
- REFERENCE & CONTINUITY
- D-D- HVAC DUCT
- A ANCHOR
- CS CONSTANT SPRING HANGER
- VS VARIABLE SPRING HANGER
- HS HYDRAULIC SNUBBER
- MS MECHANICAL SNUBBER
- N NON-WELDED SUPPORT ATTACHMENT
- W WELDED INTEGRAL SUPPORT ATTACHMENT
- R RIGID SUPPORT
- T SWAY STRUT
- SW SHOP WELD
- FW FIELD WELD
- LW LONGITUDINAL WELD
- WOL WELDLET
- IS1 ITEM NUMBER DESIGNATION USED IN THE FIRST 10 YEAR INSERVICE INSPECTION INTERVAL.

NOTES:

- MULTIPLE SWAY STRUTS, SPRING SUPPORTS OR SNUBBERS IN A SINGLE PIPING SUPPORT ARE SHOWN BY A NUMBER BEFORE THE SUPPORT TYPE. (EXAMPLE: 2MS - TWO HYDRAULIC TYPE SNUBBERS THAT ARE NOT WELDED INTEGRAL TO THE PIPE).
- PIPING SYSTEMS ON THIS DRAWING WHICH ARE OUTSIDE OF THE IS1 BOUNDARY, ARE SHOWN FOR REFERENCE AND CONTINUITY PURPOSES ONLY. THE CONFIGURATION SHOWN MAY NOT REPRESENT THE ACTUAL AS-BUILT CONDITION.

GENERAL NOTE:
DIMENSIONS SHOWN ON THIS DRAWING ARE TO BE USED FOR APPROXIMATE LOCATION ONLY. USE DESIGN DRAWINGS FOR DIMENSIONAL VERIFICATION.

REFERENCE DRAWING:
IS102-031A MAKEUP & PURIFICATION SYSTEM



D-069

NO.	DATE	REVISION	BY	CHKD.	APP'D.
1	12/15/81	ISSUED FOR SECOND 10 YEAR IS1 PROGRAM	SM	BLM	ECC
2	12/15/81	ISSUED FOR SECOND 10 YEAR IS1 PROGRAM	SM	BLM	ECC

DAVIS-BESSE NUCLEAR POWER STATION UNIT NO. 1
INSERVICE INSPECTION ISOMETRIC PURIFICATION R.C. LETDOWN SYSTEM CTMT. BLDG.
ISIM2-231A 1