

**LEGEND**

- ASME SECTION XI CLASS 1 PIPING
- - - ASME SECTION XI CLASS 2 PIPING
- · · ASME SECTION XI CLASS 3 PIPING
- NON-ISI NUCLEAR CLASS AND HSC CLASS
- PRESSURE BOUNDARY EXTENSION
- REFERENCE & CONTINUITY
- D - D HVAC DUCT
- A ANCHOR
- CS CONSTANT SPRING HANGER
- VS VARIABLE SPRING HANGER
- HS HYDRAULIC SNUBBER
- MS MECHANICAL SNUBBER
- N NON-WELDED SUPPORT ATTACHMENT
- W WELDED INTEGRAL SUPPORT ATTACHMENT
- R RIGID SUPPORT
- T SHAY STRUT
- SW SHOP WELD
- FW FIELD WELD
- LW LONGITUDINAL WELD
- WOL WELDOLET
- ◀ (SI) ITEM NUMBER DESIGNATION USED IN THE FIRST 10 YEAR INSERVICE INSPECTION INTERVAL.

**NOTES:**

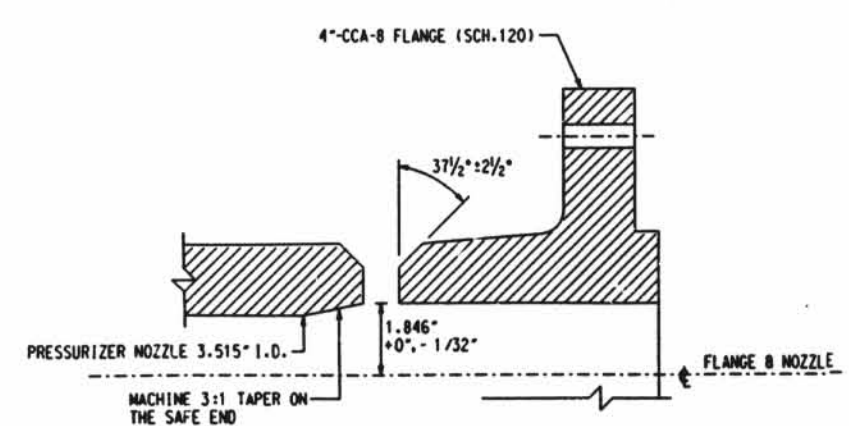
1. MULTIPLE SHAY STRUTS, SPRING SUPPORTS OR SNUBBERS IN A SINGLE PIPING SUPPORT ARE SHOWN BY A NUMBER BEFORE THE SUPPORT TYPE. (EXAMPLE: 2MS - TWO HYDRAULIC TYPE SNUBBERS THAT ARE NOT WELDED INTEGRAL TO THE PIPE).
2. PIPING SYSTEMS ON THIS DRAWING WHICH ARE OUTSIDE OF THE ISI BOUNDARY, ARE SHOWN FOR REFERENCE AND CONTINUITY PURPOSES ONLY. THE CONFIGURATION SHOWN MAY NOT REPRESENT THE ACTUAL AS-BUILT CONDITION.

**GENERAL NOTE:**

DIMENSIONS SHOWN ON THIS DRAWING ARE TO BE USED FOR APPROXIMATE LOCATION ONLY. USE DESIGN DRAWINGS FOR DIMENSIONAL VERIFICATION.

**REFERENCE DRAWINGS**  
15102-0304 REACTOR COOLANT SYSTEM

D-065



1	DCN 151M2-230A-2 PER MOD 97-0085 SUP. 00	SDW	SL	
2	DCN 151M2-230A-1 PER DCN 91-0011			
3	ISSUED FOR SECOND 10 YEAR ISI PROGRAM	CB	DFB	LLC
4	REVISIONS	BY	CHKD	DATE
5	DATE	DESIGNED	DRWN	CB
<b>DAVIS-BESSE NUCLEAR POWER STATION</b> UNIT NO. 1 THE TALEN DESIGN GROUP				
INSERVICE INSPECTION ISOMETRIC PRESSURIZER RELIEF SYSTEM CONTAINMENT BUILDING				
				REV.
ISIM2-230A				2

I CERTIFY THAT THE IMAGE CONTENTS ON THIS FRAME WAS MADE IN THE ORIGINAL AND TRUE TO THE BEST OF MY KNOWLEDGE AND BELIEF AND THAT I AM A REGISTERED PROFESSIONAL ENGINEER IN THE STATE OF PENNSYLVANIA. DATE 11-16-99 OPERATOR: Daryl Wells

30X

14 3/4" x 11" SIZE