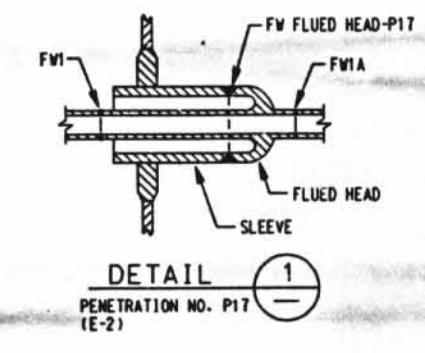


- LEGEND**
- ASME SECTION XI CLASS 1 PIPING
 - ASME SECTION XI CLASS 2 PIPING
 - ASME SECTION XI CLASS 3 PIPING
 - NON-IS1 NUCLEAR CLASS AND HSC CLASS
 - PRESSURE BOUNDARY EXTENSION
 - REFERENCE B CONTINUITY
 - HVAC DUCT
 - ANCHOR
 - CONSTANT SPRING HANGER
 - VARIABLE SPRING HANGER
 - HYDRAULIC SNUBBER
 - MECHANICAL SNUBBER
 - NON-WELDED SUPPORT ATTACHMENT
 - WELDED INTEGRAL SUPPORT ATTACHMENT
 - RIGID SUPPORT
 - SWAY STRUT
 - SHOP WELD
 - FIELD WELD
 - LONGITUDINAL WELD
 - WELDOLET
 - IS1 ITEM NUMBER DESIGNATION USED IN THE FIRST 10 YEAR INSERVICE INSPECTION INTERVAL.

- NOTES:**
1. MULTIPLE SWAY STRUTS, SPRING SUPPORTS OR SNUBBERS IN A SINGLE PIPING SUPPORT ARE SHOWN BY A NUMBER BEFORE THE SUPPORT TYPE. (EXAMPLE: 2MS - TWO HYDRAULIC TYPE SNUBBERS THAT ARE NOT WELDED INTEGRAL TO THE PIPE).
 2. PIPING SYSTEMS ON THIS DRAWING WHICH ARE OUTSIDE OF THE IS1 BOUNDARY, ARE SHOWN FOR REFERENCE AND CONTINUITY PURPOSES ONLY. THE CONFIGURATION SHOWN MAY NOT REPRESENT THE ACTUAL AS-BUILT CONDITION.

GENERAL NOTE:
DIMENSIONS SHOWN ON THIS DRAWING ARE TO BE USED FOR APPROXIMATE LOCATION ONLY. USE DESIGN DRAWINGS FOR DIMENSIONAL VERIFICATION.

REFERENCE DRAWINGS:
15102-029B AUXILIARY BUILDING RADWASTE, FUEL HANDLING AND ACCESS CONTROL AREAS, SHEET 2.



D-064

NO.	DATE	REVISIONS	BY	CHKD.	APP. DIS.
DAVIS-BESSE NUCLEAR POWER STATION UNIT NO. 1					
INSERVICE INSPECTION ISOMETRIC INTEGRATED LEAK RATE TEST LINE AUXILIARY AND CONTAINMENT BUILDINGS					
ISIM2-229 (SHEET 3)					2

I CERTIFY THAT THE SPACE CONTAINED ON THIS DRAWING WAS MADE TO THE ORIGINAL AND CORRECT COURSE OF BUSINESS, ON THE DATE STATED HEREON AND THAT IT IS NOT A REPRODUCTION OF A DRAWING OR SKETCH SUBMITTED TO NUCLEAR REGULATORY COMMISSION.

6-27-94

14 3/4" x 21" SIZE