

LEGEND

- ASME SECTION XI CLASS 1 PIPING
- ASME SECTION XI CLASS 2 PIPING
- ASME SECTION XI CLASS 3 PIPING
- NON-ISI NUCLEAR CLASS AND HSC CLASS
- PRESSURE BOUNDARY EXTENSION
- REFERENCE & CONTINUITY
- HVAC DUCT
- A ANCHOR
- CS CONSTANT SPRING HANGER
- VS VARIABLE SPRING HANGER
- HS HYDRAULIC SNUBBER
- MS MECHANICAL SNUBBER
- N NON-WELDED SUPPORT ATTACHMENT
- W WELDED INTEGRAL SUPPORT ATTACHMENT
- R RIGID SUPPORT
- T SWAY STRUT
- SW SHOP WELD
- FW FIELD WELD
- LW LONGITUDINAL WELD
- WOL WELDOLET
- ISI ITEM NUMBER DESIGNATION USED IN THE FIRST 10 YEAR INSERVICE INSPECTION INTERVAL.

NOTES:

1. MULTIPLE SWAY STRUTS, SPRING SUPPORTS OR SNUBBERS IN A SINGLE PIPING SUPPORT ARE SHOWN BY A NUMBER BEFORE THE SUPPORT TYPE. (EXAMPLE: TMS - TWO HYDRAULIC TYPE SNUBBERS THAT ARE NOT WELDED INTEGRAL TO THE PIPE).
2. THE STEAM GENERATOR DRAIN LINE 4" EBB-S WELDS AND SUPPORTS ARE EXEMPT FROM INSERVICE EXAMINATION REQUIREMENTS PER 1VC 1220. THE WELDS AND SUPPORTS SHOWN MAY NOT REPRESENT THE ACTUAL AS-BUILT CONDITION.

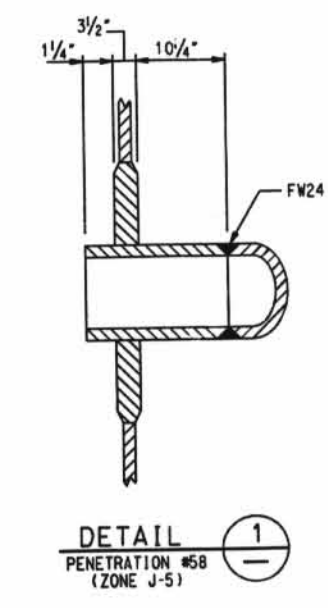
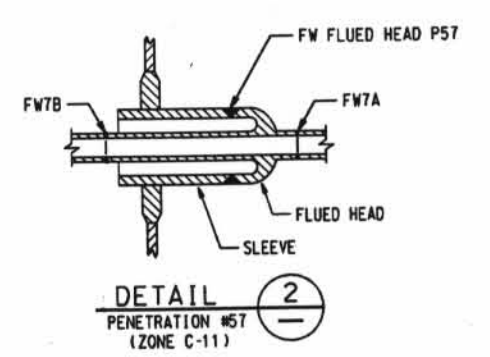
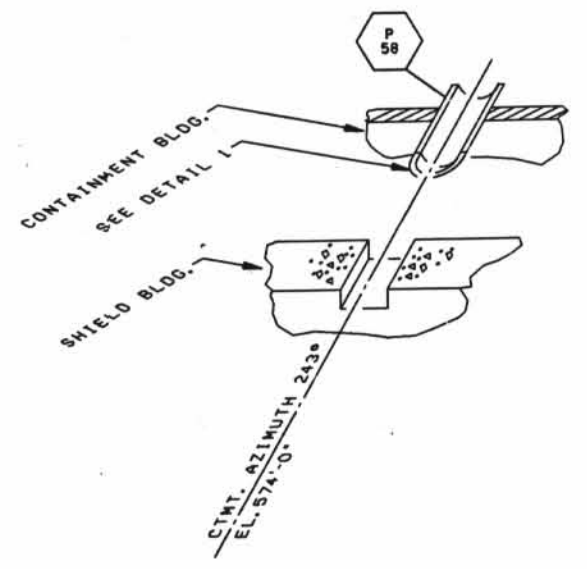
GENERAL NOTE

DIMENSIONS SHOWN ON THIS DRAWING ARE TO BE USED FOR APPROXIMATE LOCATION ONLY. USE DESIGN DRAWINGS FOR DIMENSIONAL VERIFICATION.

REFERENCE DRAWINGS:

- IS102-007A STEAM GENERATOR SECONDARY SYSTEM
- IS102-007B STEAM GENERATOR SECONDARY SYSTEM

D-052



NO.	DATE	REVISIONS	BY	CHK'D	APP'D	DATE
INC DCN IS1M2-207A-1 PER REVISION 01-001 ISSUED FOR SECOND 10 YEAR ISI PROGRAM						
DAVIS-BESSE NUCLEAR POWER STATION UNIT NO. 1 THE HELENE DESIGN COMPANY						
INSERVICE INSPECTION ISOMETRIC STEAM GENERATOR DRAIN SYSTEM CONTAINMENT BUILDING						
DRAWING NO. ISIM2-207A						REV. 1