



LEGEND

- ASME SECTION XI CLASS 1 PIPING
- ASME SECTION XI CLASS 2 PIPING
- ..... ASME SECTION XI CLASS 3 PIPING
- NON-ISI NUCLEAR CLASS AND HSC CLASS
- PRESSURE BOUNDARY EXTENSION
- REFERENCE & CONTINUITY
- D-D- HVAC DUCT
- A ANCHOR
- CS CONSTANT SPRING HANGER
- VS VARIABLE SPRING HANGER
- MS HYDRAULIC SNUBBER
- MS MECHANICAL SNUBBER
- N NON-WELDED SUPPORT ATTACHMENT
- W WELDED INTEGRAL SUPPORT ATTACHMENT
- R RIGID SUPPORT
- T SWAY STRUT
- SW SHOP WELD
- FW FIELD WELD
- LW LONGITUDINAL WELD
- WDL WELDLET
- IS1 ITEM NUMBER DESIGNATION USED IN THE FIRST 10 YEAR INSERVICE INSPECTION INTERVAL.

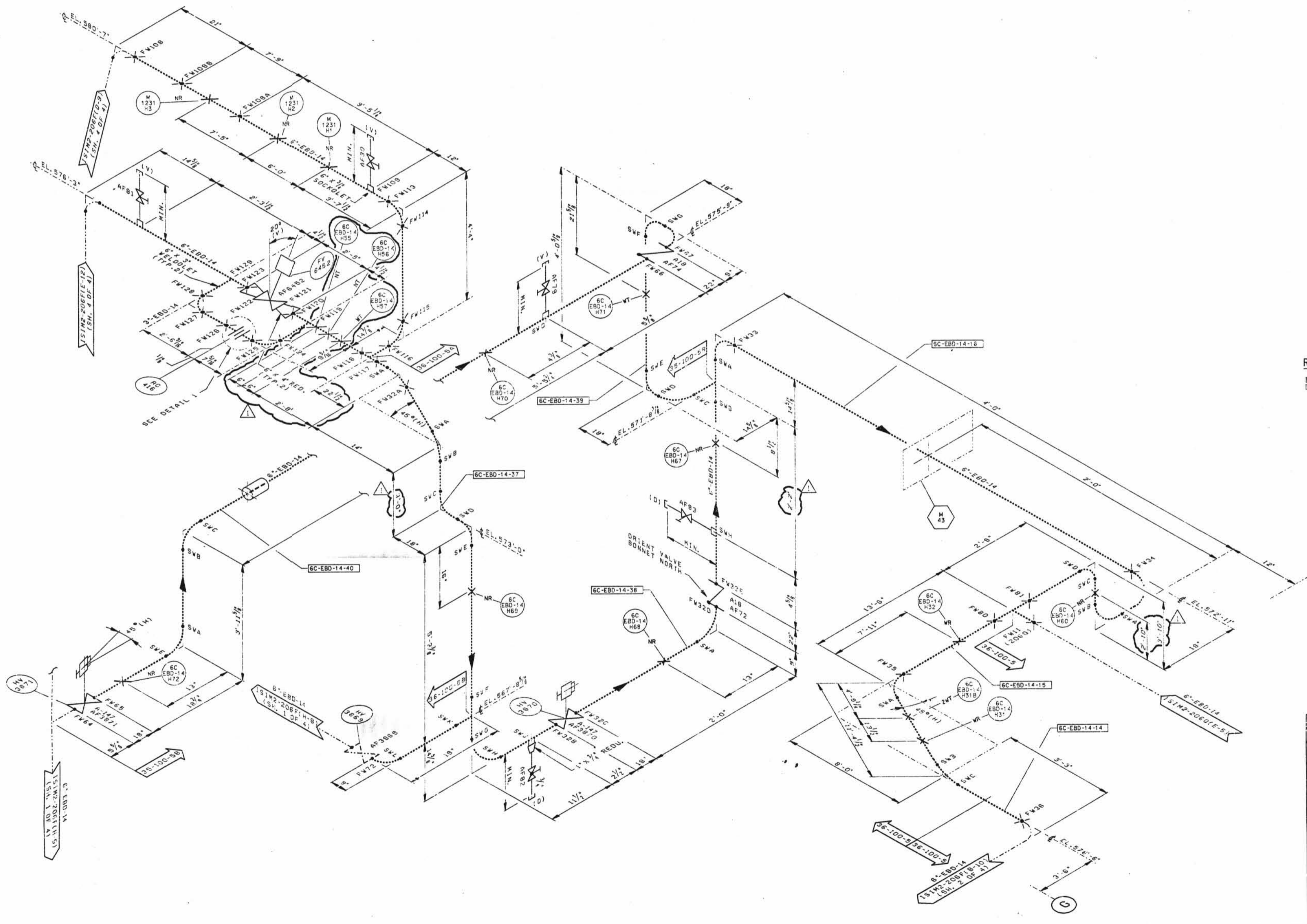
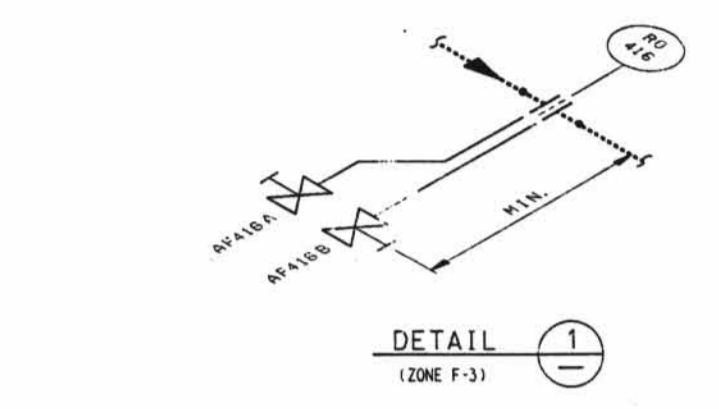
NOTES:

1. MULTIPLE SWAY STRUTS, SPRING SUPPORTS OR SNUBBERS IN A SINGLE PIPING SUPPORT ARE SHOWN BY A NUMBER BEFORE THE SUPPORT TYPE. (EXAMPLE: SWS - TWO HYDRAULIC TYPE SNUBBERS THAT ARE NOT WELDED INTEGRAL TO THE PIPE.)
2. THE SUPPORTS ON THE AUXILIARY FEED PUMP DISCHARGE LINE 6" EBD-14 ARE WITHIN THE ISI EXAMINATION BOUNDARY. THE PIPING WELDS IN THIS LINE ARE SHOWN FOR REFERENCE PURPOSES ONLY. THESE WELDS MAY NOT BE REPRESENTED IN THE ACTUAL AS-BUILT CONDITION.
3. DIMENSIONS SHOWN ON THIS DRAWING ARE TO BE USED FOR APPROXIMATE LOCATION ONLY. USE DESIGN DRAWINGS FOR DIMENSIONAL VERIFICATION.

REFERENCE DRAWINGS:

- IS102-0000 AUXILIARY FEEDWATER SYSTEM
- IS102-0078 STEAM GENERATOR SECONDARY SYSTEM

D-046



THE DESIGNER CERTIFIES THAT THE INFORMATION ON THIS DRAWING WAS OBTAINED FROM THE NORMAL AND REGULAR COURSE OF BUSINESS, ON THE DATE NOTED BELOW AND THAT IT IS AN ACCURATE REPRESENTATION OF THE RECORDS SUBMITTED TO NUCLEAR RECORDS MANAGEMENT.	
DATE	REVISION
SCALE N.T.S.	DESIGNER
<b>DAVIS-BESSE NUCLEAR POWER STATION</b> UNIT NO. 1 THE TRISTAR ENERGY COMPANY	
INSERVICE INSPECTION ISOMETRIC AUXILIARY FEEDWATER SYSTEM AUX. FEED PUMP DISCH. TO STEAM GENERATORS	
<b>ISIM2-206F</b> SHEET 3	