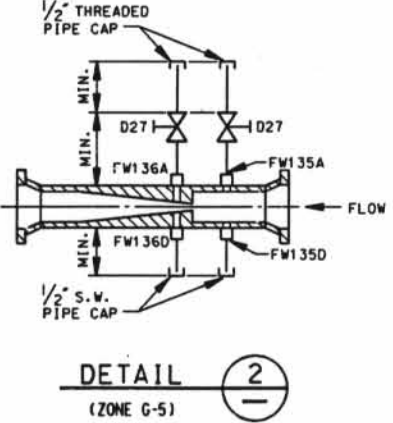


- LEGEND**
- ASME SECTION XI CLASS 1 PIPING
 - - - ASME SECTION XI CLASS 2 PIPING
 - · · ASME SECTION XI CLASS 3 PIPING
 - NON-1ST NUCLEAR CLASS AND HSC CLASS
 - PRESSURE BOUNDARY EXTENSION
 - REFERENCE & CONTINUITY
 - D-D- HVAC DUCT
 - A ANCHOR
 - CS CONSTANT SPRING HANGER
 - VS VARIABLE SPRING HANGER
 - HS HYDRAULIC SNUBBER
 - MS MECHANICAL SNUBBER
 - N NON-WELDED SUPPORT ATTACHMENT
 - W WELDED INTEGRAL SUPPORT ATTACHMENT
 - R RIGID SUPPORT
 - T SWAY STRUT
 - SW SHOP WELD
 - FW FIELD WELD
 - LW LONGITUDINAL WELD
 - WOL WELDOLET
 - IS1 ITEM NUMBER DESIGNATION USED IN THE FIRST 10 YEAR INSERVICE INSPECTION INTERVAL.

- NOTES:**
1. MULTIPLE SWAY STRUTS, SPRING SUPPORTS OR SNUBBERS IN A SINGLE PIPING SUPPORT ARE SHOWN BY A NUMBER BEFORE THE SUPPORT TYPE. (EXAMPLE: 2MS - TWO HYDRAULIC TYPE SNUBBERS THAT ARE NOT WELDED INTEGRAL TO THE PIPE).
 2. THE SUPPORTS ON THE AUXILIARY FEED PUMP DISCHARGE LINE 6\"/>

GENERAL NOTE
 DIMENSIONS SHOWN ON THIS DRAWING ARE TO BE USED FOR APPROXIMATE LOCATION ONLY. USE DESIGN DRAWINGS FOR DIMENSIONAL VERIFICATION.

REFERENCE DRAWINGS:
 IS102-007B STEAM GENERATOR SECONDARY SYSTEM



NO.	DATE	REVISIONS	BY	CHK'D	APP'D	ECC
SCALE: N.T.S. DESIGNED: DRAWN: CB DATE:						
DAVIS-BESSE NUCLEAR POWER STATION UNIT NO. 1						
THE TROJAN DESIGN COMPANY						
INSERVICE INSPECTION ISOMETRIC AUXILIARY FEEDWATER SYSTEM AUX. FEED PUMP DISCH. TO STEAM GENERATORS						
DRAWING NO. ISIM2-206F (SHEET 2) 1						