

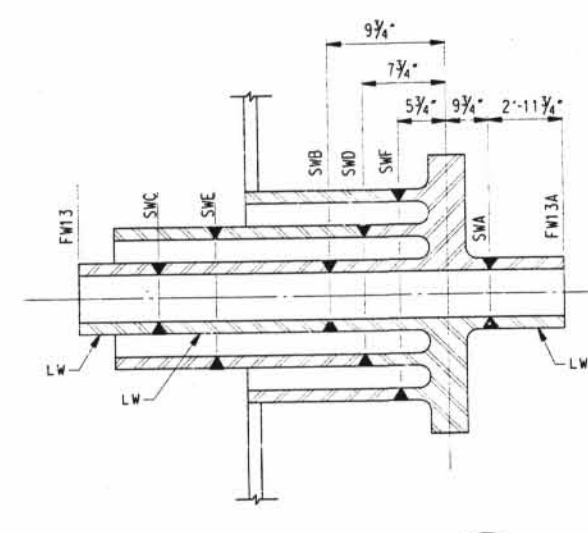
- LEGEND**
- ASME SECTION XI CLASS 1 PIPING
  - ASME SECTION XI CLASS 2 PIPING
  - ASME SECTION XI CLASS 3 PIPING
  - NON-ISI NUCLEAR CLASS AND HSC CLASS
  - PRESSURE BOUNDARY EXTENSION
  - REFERENCE B CONTINUITY
  - D-O HYAC DUCT
  - A ANCHOR
  - CS CONSTANT SPRING HANGER
  - VS VARIABLE SPRING HANGER
  - HS HYDRAULIC SNUBBER
  - MS MECHANICAL SNUBBER
  - N NON-WELDED SUPPORT ATTACHMENT
  - W WELDED INTEGRAL SUPPORT ATTACHMENT
  - R RIGID SUPPORT
  - T SWAY STRUT
  - SW SHOP WELD
  - FW FIELD WELD
  - LW LONGITUDINAL WELD
  - WEL WELDOLET
  - ISI ITEM NUMBER DESIGNATION USED IN THE FIRST YEAR INSERVICE INSPECTION INTERVAL

- NOTES:**
1. MULTIPLE SWAY STRUTS, SPRING SUPPORTS OR SNUBBERS IN A SINGLE PIPING SUPPORT ARE SHOWN BY A NUMBER BEFORE THE SUPPORT TYPE. (EXAMPLE: 2MS - TWO MECHANICAL SNUBBERS THAT ARE NOT WELDED INTEGRAL TO THE PIPE).
  2. FOR SUPPORT DETAILS SEE REFERENCED ELEVATION DRAWINGS.
  3. BRANCH CONNECTION CONFIGURATION SAME AS SHOWN ON DRAWING 203A TYPICAL.
  4. PIPING SYSTEMS ON THIS DRAWING WHICH ARE OUTSIDE OF THE ISI BOUNDARY ARE SHOWN FOR REFERENCE AND CONTINUITY PURPOSES ONLY. THE CONFIGURATION SHOWN MAY NOT REPRESENT THE ACTUAL AS-BUILT CONDITION.
  5. SRT IS NOT WITHIN THE SCOPE OF THE ISI PROGRAM. THE SRT BUILDING STRUCTURE IS NOT ATTACHED TO THE PIPE DUE TO THE REMOVAL OF THE SRT HYDRAULIC SNUBBER VIA MOD 90-0013.

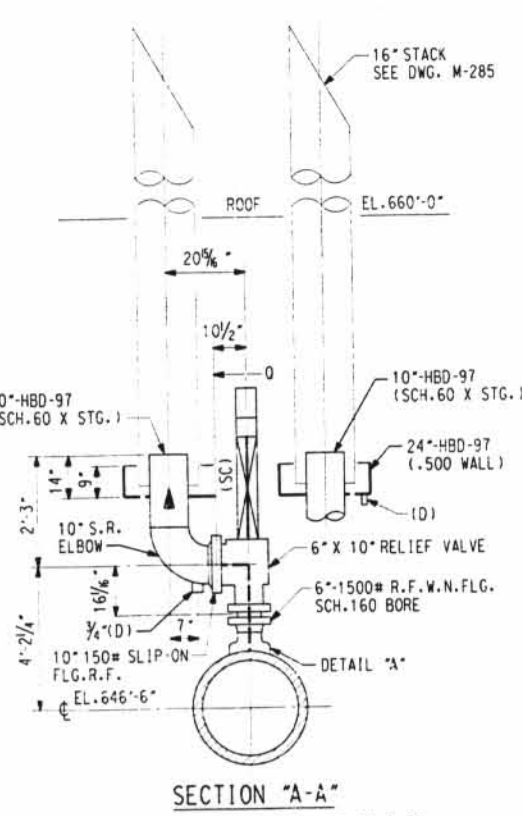
**GENERAL NOTE**

DIMENSIONS SHOWN ON THIS DRAWING ARE TO BE USED FOR APPROXIMATE LOCATION ONLY. USE DESIGN DRAWINGS FOR DIMENSIONAL VERIFICATION.

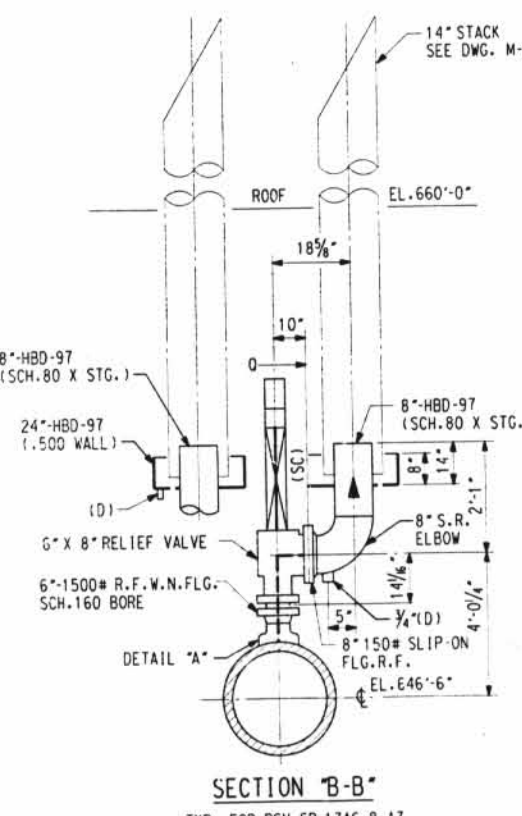
- REFERENCE DRAWINGS:**
- 15102-003A MAIN STEAM AND REHEAT STEAM, SHEET 1
  - 15102-007A STEAM GENERATOR SECONDARY SYSTEM
  - 7749-C-607 CONTAINMENT INTERNAL STRUCTURES, MAIN STEAM LINE SEISMIC RESTRAINTS ELEVATION & DETAILS, SHEET 1 OF 8
  - 7749-C-280 AUXILIARY BUILDING MAIN STEAM LINE RESTRAINTS DETAILS SHEET 2
  - 7749-C-175 MAIN STEAM ISOLATION & ATMOS. VENT. VALVES HANGERS & RESTRAINTS



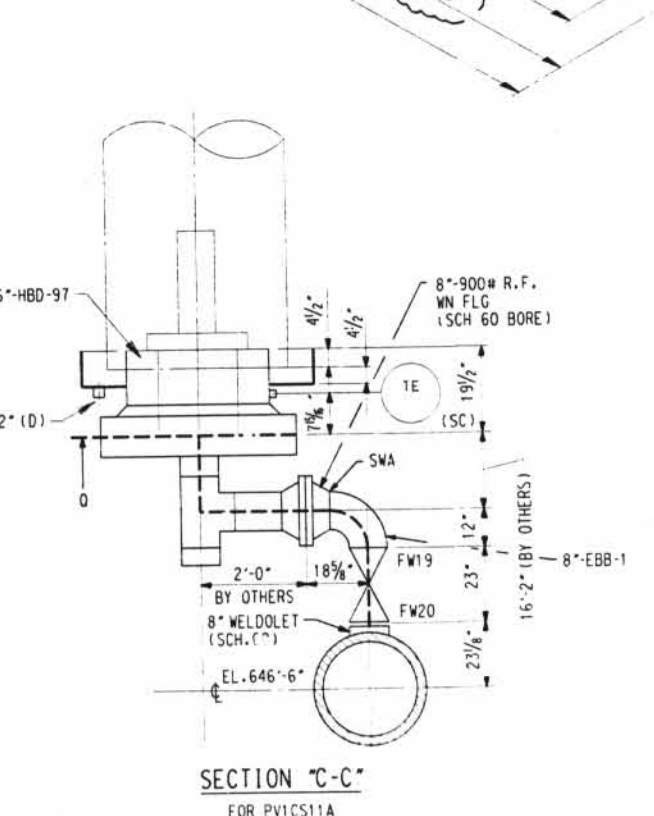
**DETAIL C**  
(ZONE D-7)  
PENETRATION NO. 39



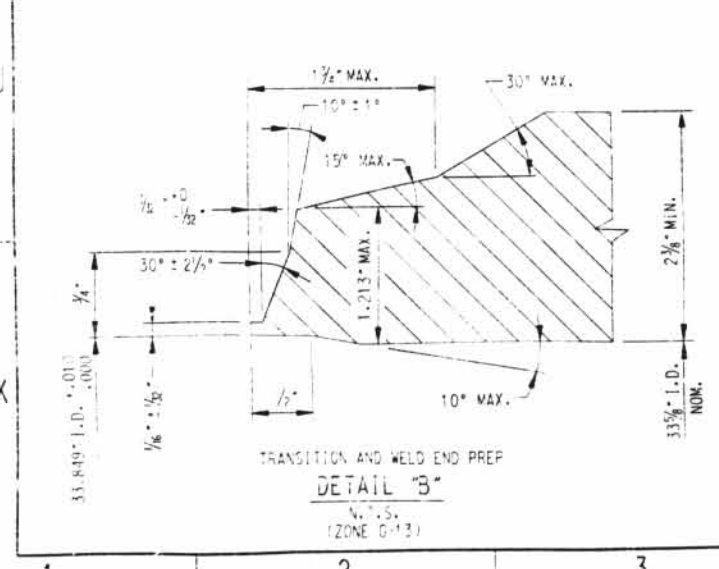
**SECTION "A-A"**  
TYP. FOR PSV SP-17A1 THRU AS, AB & A9



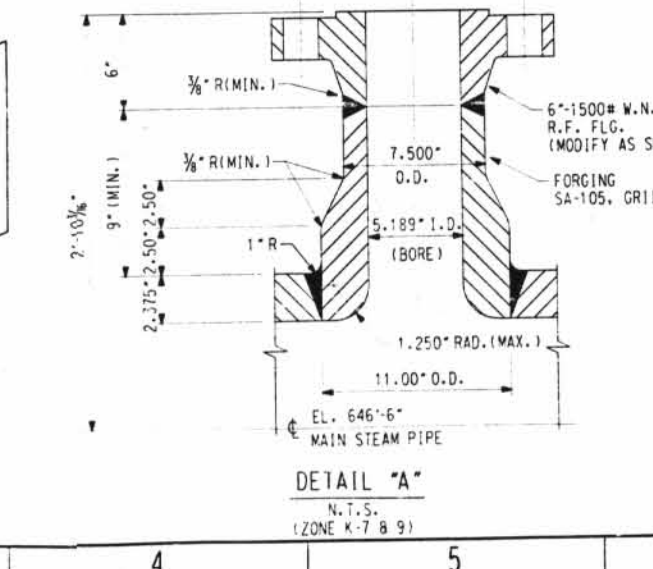
**SECTION "B-B"**  
TYP. FOR PSV SP-17A6 & A7



**SECTION "C-C"**  
FOR PV1CS14



**DETAIL "B"**  
TRANSITION AND WELD END PREP  
N.T.S.  
(ZONE D-7)



**DETAIL "A"**  
N.T.S.  
(ZONE X-7 & 9)

D-038

NO. 1123-100100MATS.CEL AC-ESTD

REVISED FOR SECOND YEAR ISI PROGRAM

N.T.S.

**DAVIS-BESSE NUCLEAR POWER STATION  
UNIT NO. 1**

INSERVICE INSPECTION ISOMETRIC  
MAIN STEAM SYSTEM

CONTAINMENT BUILDING STEAM GENERATOR 1-2

**ISIM2-203B**