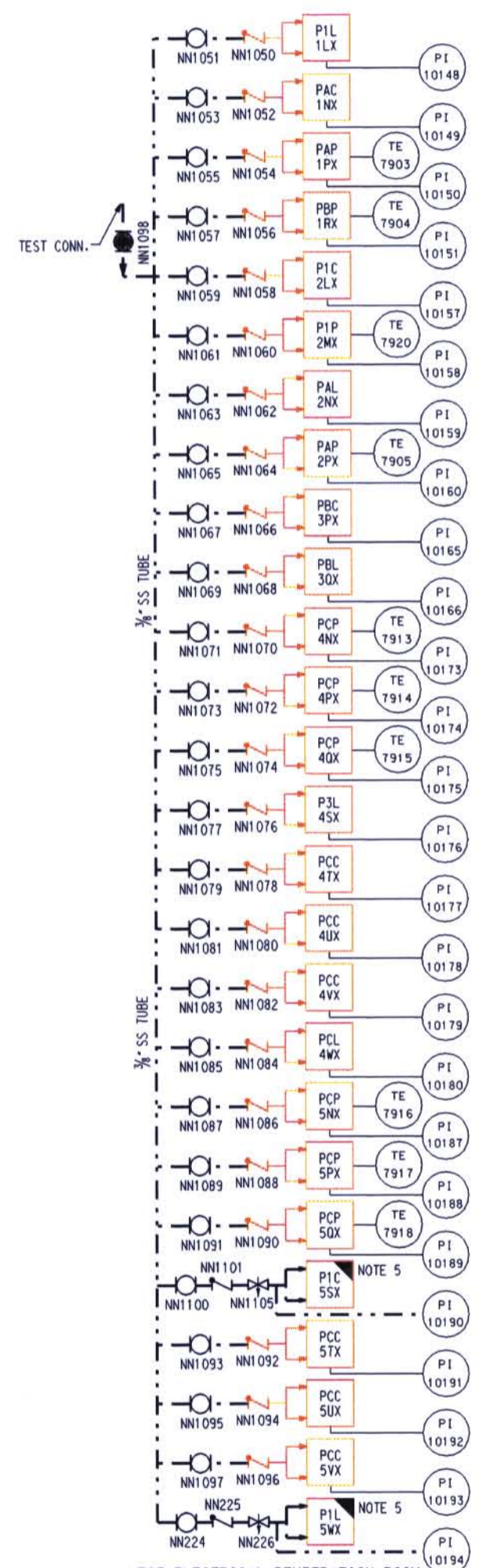
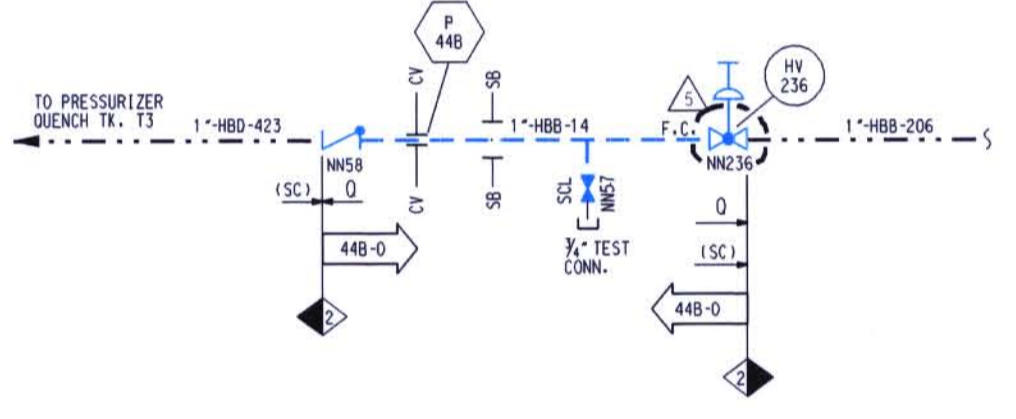


EAST ELECTRICAL PENETRATION ROOM



WEST ELECTRICAL PENETRATION ROOM
(SEE TYP. DETAIL AT B-2)



- LEGEND**
- ASME SECTION XI CLASS 1 PIPING (RED)
 - ASME SECTION XI CLASS 2 PIPING (BLUE)
 - ASME SECTION XI CLASS 3 PIPING (GREEN)
 - CONTAINMENT (IWE) BOUNDARY (ORANGE)
 - REFERENCE & CONTINUITY
 - HVAC DUCT

- ISIM2 REFERENCE TO THE PIPING ISOMETRIC DRAWING FOR DETAILS ON THE PIPING CONFIGURATION, AND THE LOCATION AND IDENTIFICATION OF WELDS AND SUPPORTS.
- RESERVED FOR SPECIAL ISI REQUIREMENTS. (MAY BE) ACCOMPANIED BY SPECIFIC NOTES.
- REFERENCE TO THE ISI ITEM NUMBER DESIGNATION USED IN THE FIRST 10 YEAR INSERVICE INSPECTION INTERVAL.
- ASME SECTION XI CLASS CHANGE
- ISI PROGRAM BOUNDARY

NOTES:

1. DELETED
2. FOR ISI BOUNDARY DIAGRAM IN SHEET AND GENERAL NOTES, SEE ISID2-001.
3. FOR PIPING SYMBOLS AND P & ID INDEX, SEE DRAWING M-001.
4. UNLESS OTHERWISE NOTED, ALL VENT CONNECTIONS ARE 3/4" AND DRAIN CONNECTIONS ARE 1". LINE IDENTIFICATION IS THE SAME AS THE HEADER.
5. ELECTRICAL PENETRATIONS SHOWN BY THE SYMBOL HAVE BEEN REPLACED BY CONAX. ALL OTHERS ARE AMPHENOL.
6. DENOTES THE BOUNDARY SUBJECT TO THE RULES OF IWE.

D-012

5	11	INC DCN ISID2-019-5 PER DOR 01-1685	SBW		
4	08/21/04	INC DCN ISID2-019-4 PER DOR 00-1766 AND GEN. UPDATE DELETE NOTE 1 PER BFA 00-0223 DCN'S AND ENGR. COMMENT			"INITIALS ON FILE"
3	04/24/04	INC DCN ISID2-019-3 PER DOR 97-1120			"INITIALS ON FILE"
2	08/26/03	INC DCN ISID2-019-2 PER DOR 97-0187			"INITIALS ON FILE"
1	12/19/01	INC DCN ISID2-019-1 FOR DOR 91-0011			"INITIALS ON FILE"
0	4/23/00	ISSUED FOR SECOND 10 YEAR ISI PROGRAM			"INITIALS ON FILE"
NO.	DATE	REVISIONS	BY	CHK'D	ENGR. SUPV.
SCALE: N.T.S. DESIGNED: DRAWN: CB DATE:					
DAVIS-BESSE NUCLEAR POWER STATION UNIT NO. 1					
INSERVICE INSPECTION DIAGRAM NITROGEN SUPPLY SYSTEM					
DRAWING NO. ISID2-019				REV. 5	