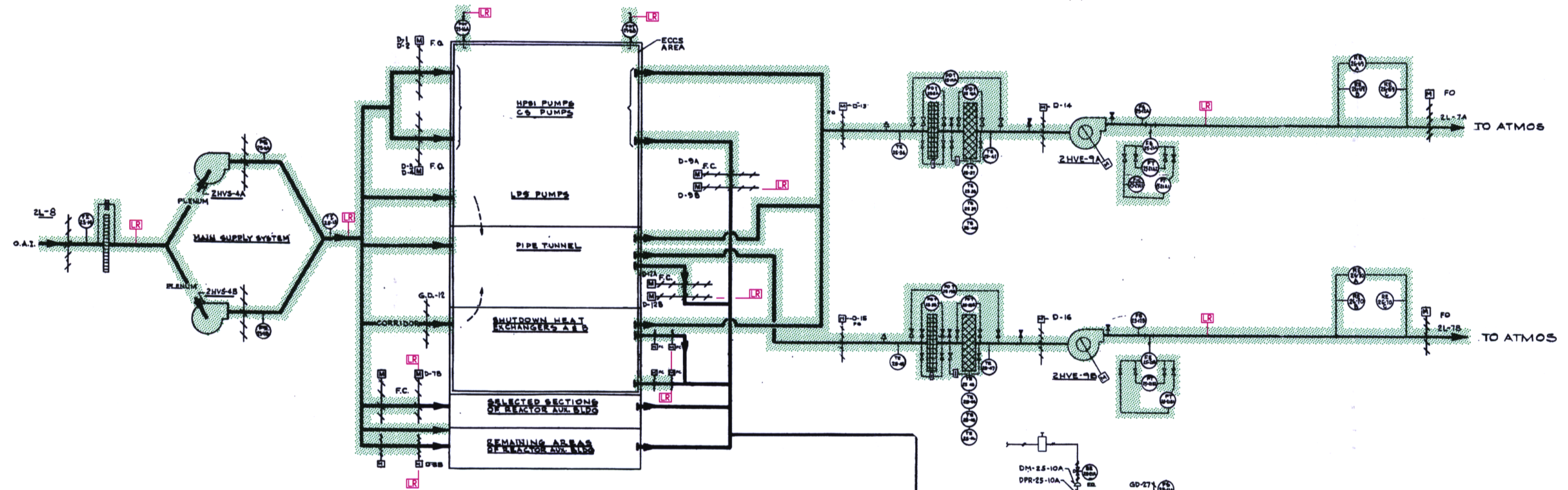
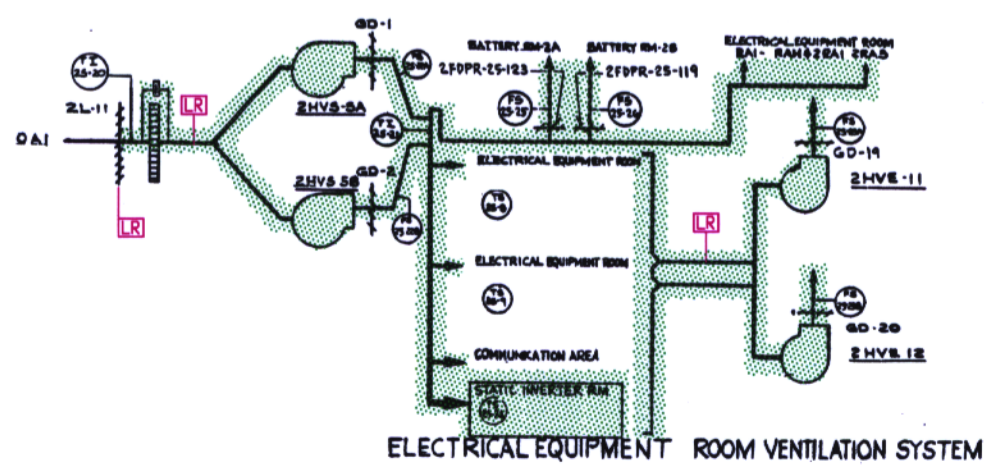
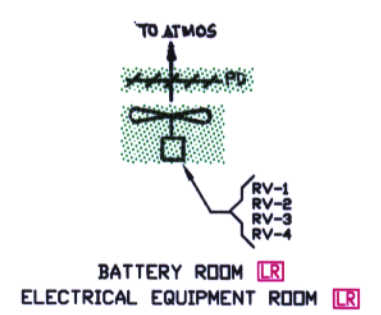


CONTROL ROOM A/C SYSTEM



AUXILIARY BUILDING VENTILATION SYSTEM & ECCS VENTILATION SYSTEM



ELECTRICAL EQUIPMENT ROOM VENTILATION SYSTEM

NOTES:
1. FOR GENERAL NOTES & LEGEND SEE DRAWING NO. 2-NOTES-01.

FLORIDA POWER & LIGHT
ST. LUCIE NUCLEAR UNIT 2

CONTROL ROOM,
AUXILIARY BUILDING
AND MISCELLANEOUS
HVAC

LICENSE RENEWAL BOUNDARY DRAWING
DRAWING NUMBER 2-HVAC-02
REVISION 0

D-051