

**Southern Nuclear
Operating Company, Inc.**
Post Office Drawer 470
Ashford, Alabama 36312



Energy to Serve Your WorldSM

FNP-118-NRC-DC

OCTOBER 1, 2001

DIRECTOR, OFFICE OF NRC
ATT: DOCUMENT CONTROL DESK
C/O JIM MCKNIGHT
US NUCLEAR REGULATORY COMMISSION
WASHINGTON, DC 20555

DEAR SIR,

ATTACHED IS A NEW REVISION FOR FNP-0-EIP-8.1, EMERGENCY PHONE DIRECTORY.
PLEASE REPLACE YOUR COPY WITH THE NEW REVISION OF 4.

IF YOU HAVE QUESTIONS PLEASE CALL ME AT 334-899-5156 EXTENSION 3402.

SINCERELY,

A handwritten signature in cursive script that reads "Donnie Hardy". The signature is written in black ink and is positioned above a horizontal line.

DONNIE HARDY

DOCUMENT CONTROL SUPERVISOR

DCH:llb
CC: FILE RTYPE A4.54

Memo Disk 2 - NRC

A045

FARLEY NUCLEAR PLANT
EMERGENCY PLAN IMPLEMENTING PROCEDURE
FNP-0-EIP-8.1

EMERGENCY PHONE DIRECTORY

S
A
F
E
T
Y

R
E
L
A
T
E
D

PROCEDURE USAGE REQUIREMENTS PER FNP-0-AP-6	SECTIONS
Continuous Use	
Reference Use	
Information Use	ALL

UNCONTROLLED COPY

Approved:

CAUTION: This copy is not maintained
Current. Do not use in a Safety Related Activity.



A. W. Shinn

Nuclear Plant General Manager

Date Issued 10-01-01

TABLE OF CONTENTS

<u>Procedure Contains</u>	<u>Number of Pages</u>
Body.....	2
Figure 1.....	1
Figure 2.....	1
Figure 3.....	1
Figure 4.....	1
Figure 5.....	1
Figure 6.....	1

EMERGENCY PHONE DIRECTORY
TABLE OF CONTENTS

<u>Section</u>	<u>Title</u>	<u>Page</u>
1.0	Purpose	1
2.0	References	1
3.0	General	1
3.1	Dialing company phones	1
3.2	FNP extensions & OPX (onsite)	1
3.3	FNP extensions & OPX (onsite)	1
3.4	FNP Direct Inward Dial	1
3.5	B'ham APCo Corp. Hq. extensions	1
3.6	B'ham SNC Corp. Hq. extensions	1
3.7	Instate long distance calls	2
3.8	Emergency phone list	2
3.9	Updating this directory	2
3.10	Copies of this directory	2
3.11	Figure usage	2
Figure 1	Technical Support Center	
Figure 2	EOF Command and Control Center	
Figure 3	Alt. EOF Command and Control Center	
Figure 4	Corporate Emergency Operations Center (CEOC)	
Figure 5	News Media Center	
Figure 6	Farley Nuclear Plant Off Premises Extensions (OPX)	
	On Call Memo (separate attachment)	
	Emergency Phone List (separate attachment)	

EMERGENCY PHONE DIRECTORY

1.0 Purpose

This procedure provides a centralized location for telephone numbers that may be required during an emergency condition at Farley Nuclear Plant.

2.0 References

2.1 Joseph M. Farley Nuclear Plant Emergency Plan

2.2 Westinghouse Emergency Response Plan (U422333)

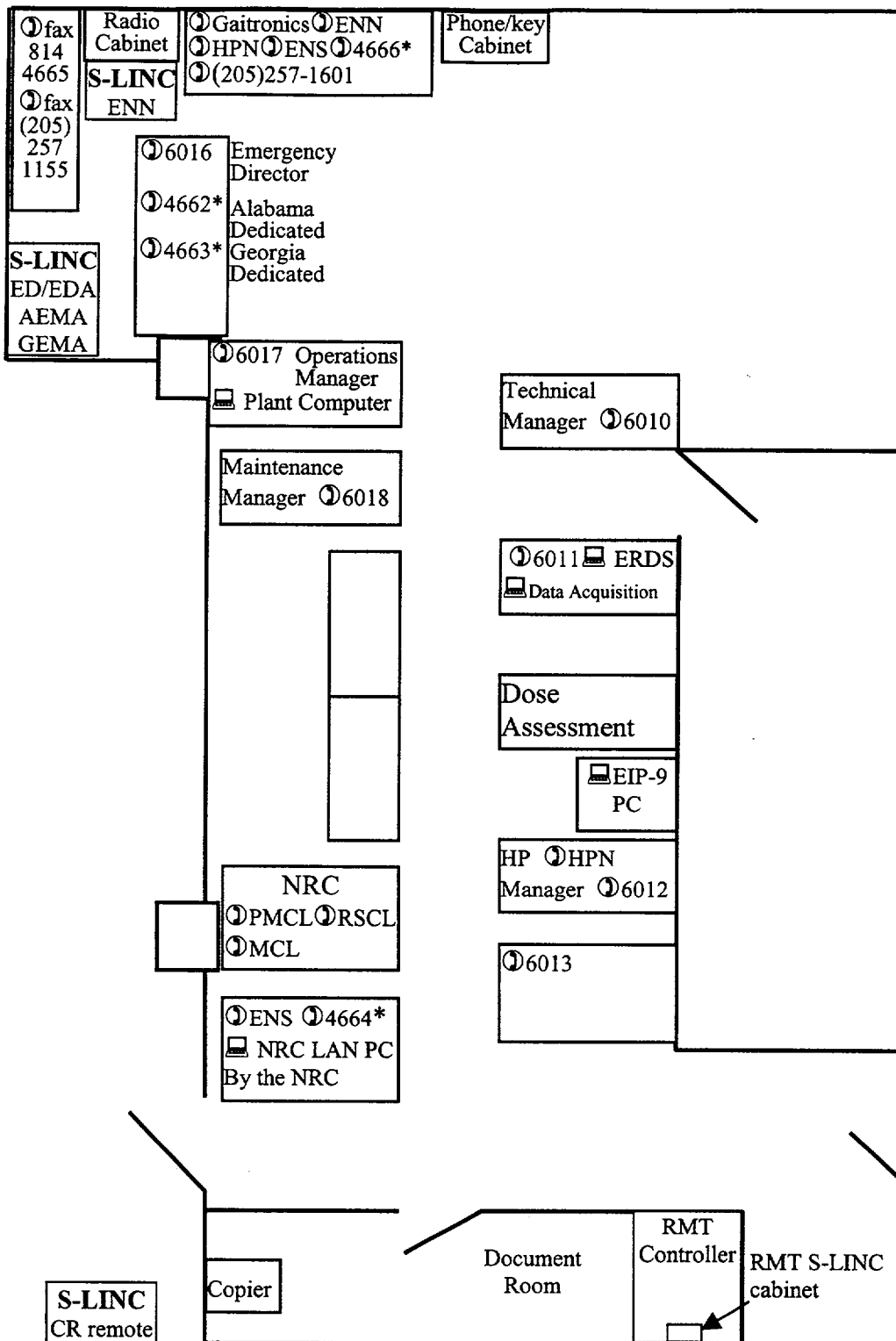
3.0 General

- 3.1 Dialing company phones (prefix 276, 286, 257, 992, 288, etc.) from other company phones can be accomplished by first dialing an 8, then the seven digit phone numbers listed in this procedure.
- 3.2 Farley Nuclear Plant extensions, including off premises extensions (OPX) (prefix 276), can be dialed from any other Farley Nuclear Plant extension or OPX by dialing the last four numbers.
- 3.3 Farley Nuclear Plant extensions and OPX (prefix 276) can also be dialed from any Bell phone from outside the company system by dialing 334-899-5156, or 334-794-0800, then asking for or dialing the extension when requested.
- 3.4 Farley Nuclear Plant Direct Inward Dial (DID) extensions (prefix 814) can be dialed from on-site, or from FNP OPXs by dialing the four digit extension. FNP DID extensions can be dialed from other company telephones by dialing 8-276 and the four digit extension. FNP DID extensions can be dialed from commercial telephones by dialing area code 334 (if dialing from outside Ashford), prefix 814 and the four digit extension. FNP DID extensions act like any other FNP extension when placing an outbound call..
- 3.5 Birmingham APCo Corporate Headquarters extensions and OPX (prefix 257) can also be dialed from any Bell phone outside the company system by dialing area code 205, then dialing the seven digit number.
- 3.6 Birmingham SNC Corporate Headquarters extensions and (OPX) (prefix 992) can also be dialed from any bell phone outside the company system by dialing area code 205-992, then the four digit extension.

- 3.7 All instate long distance phone calls must be preceded by area code 205, 256 or 334, depending on the location.
- 3.8 The emergency phone numbers will be in a separate EMERGENCY PHONE LIST that will accompany this procedure.
- 3.9 The Emergency Planning Coordinator shall be responsible for updating names and telephone numbers in the EMERGENCY PHONE LIST upon notification of changes. Communications checks and verification of phone numbers for offsite agencies shall be conducted quarterly by direct communication. The updated Emergency phone list will be issued at least quarterly to all holders of this procedure.
- 3.10 Copies of this procedure shall be maintained at all times with the Recovery Manager and Emergency Director On-Call.
- 3.11 Figures 1, 2, 3, 4 and 5 are graphical representations of the phone numbers in the TSC, EOF, Alternate EOF, CEOC and the NMC. These figures may be used as a quick reference to phone numbers in those locations. Figure 6 is a listing of the FNP OPX extensions.

FIGURE 1

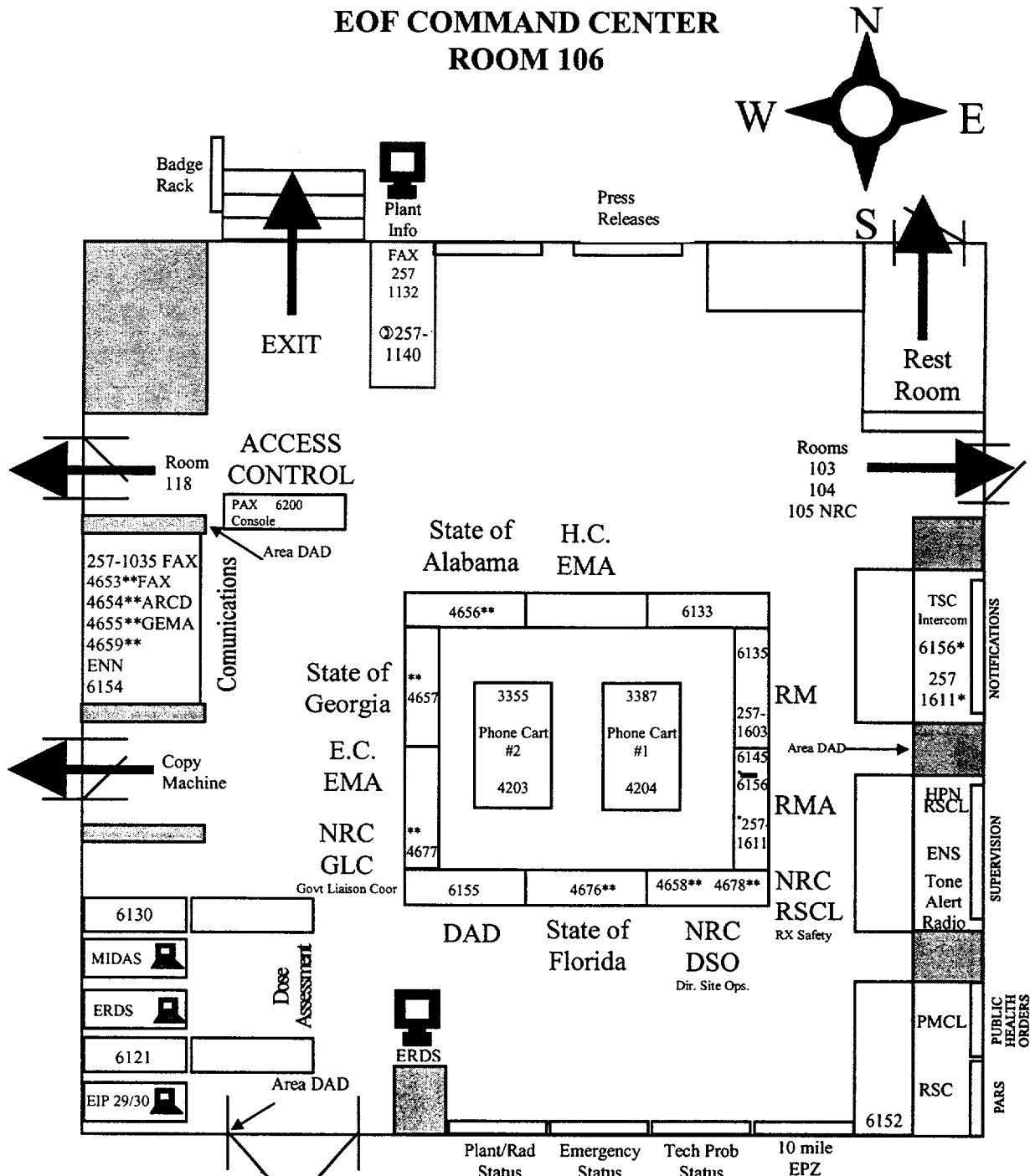
TECHNICAL SUPPORT CENTER



* These extensions are Direct Inward Dial extensions that can be dialed directly from an outside line with prefix 814. Use area code 334 if dialing from outside Ashford. Dial from on site with the 4 digit extension, from other company phones use the 276 prefix.

FIGURE 2

EOF COMMAND CENTER ROOM 106



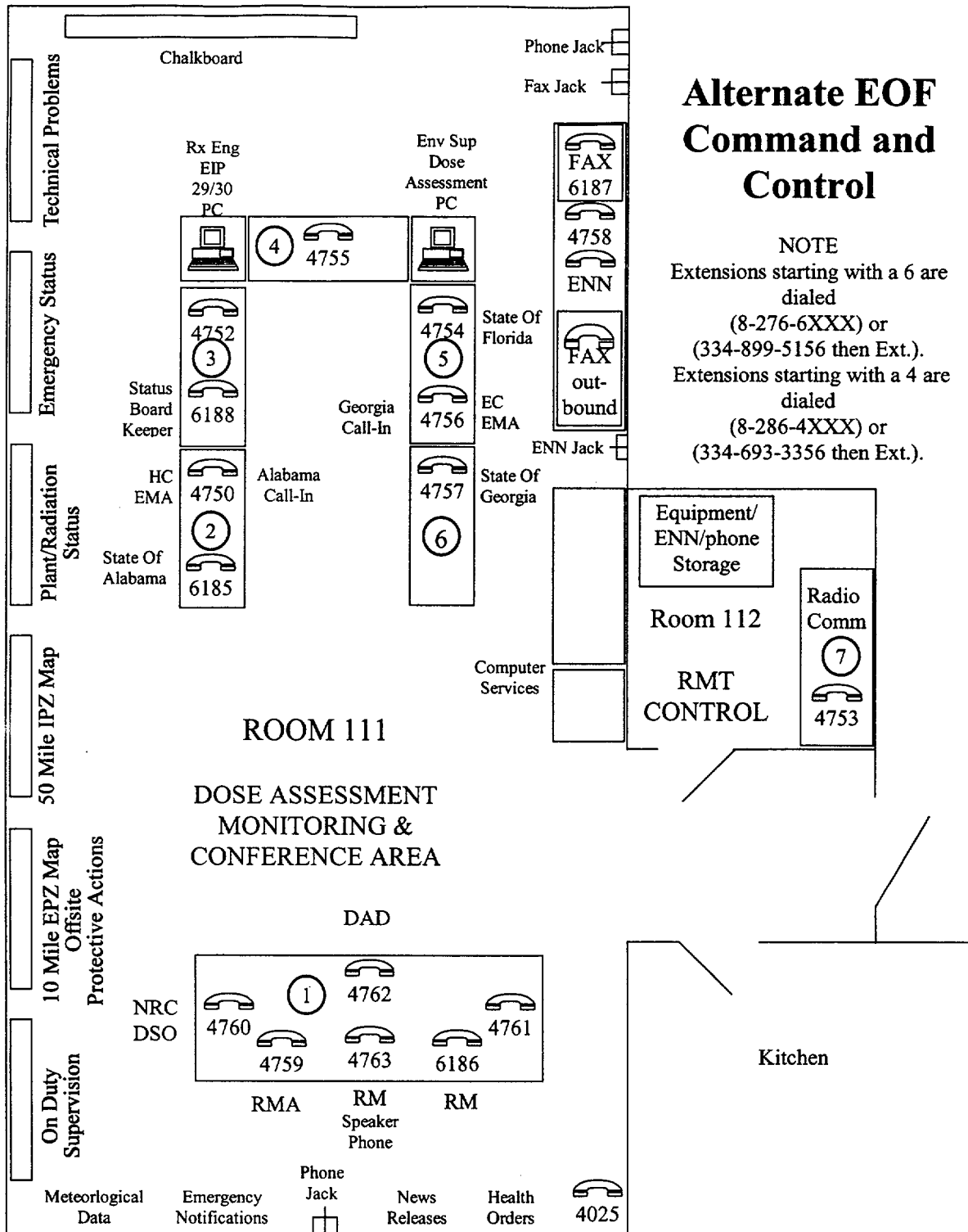
Note 1: Dial 4 digit PAX numbers directly from FNP phones or OPX. Use prefix 8-276 from other Southern Company phones. Dial 334-899-5156, ask for extension from commercial phones.

Note 2: Dial 257 prefix preceded by an 8 from Southern Company phones. Dial direct from commercial phones. Area Code 205 required outside Birmingham.

* Phones ring in two locations. Always active in Cabinet behind RM.

** Extensions are Direct Inward Dial numbers that can be dialed direct from an outside line with area code 334 and prefix 814, or Southern Company phones with 8-276 prefix or the 4 digit extension from PAX phones

FIGURE 3



SHACED

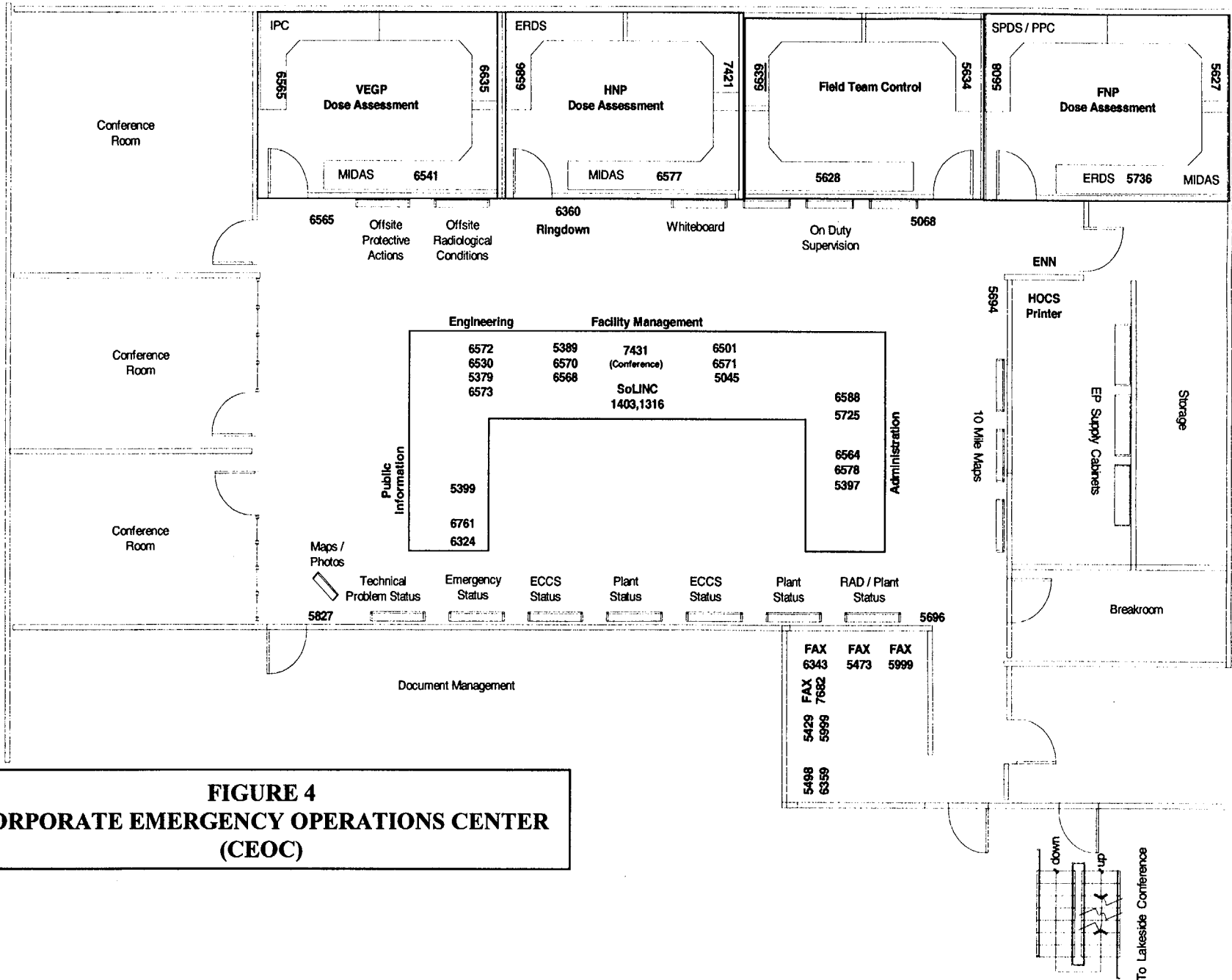


FIGURE 4
CORPORATE EMERGENCY OPERATIONS CENTER
(CEOC)

FIGURE 5

NEWS MEDIA CENTER
(TYPICAL LAYOUT TO BE USED FOR INFORMATION ONLY)

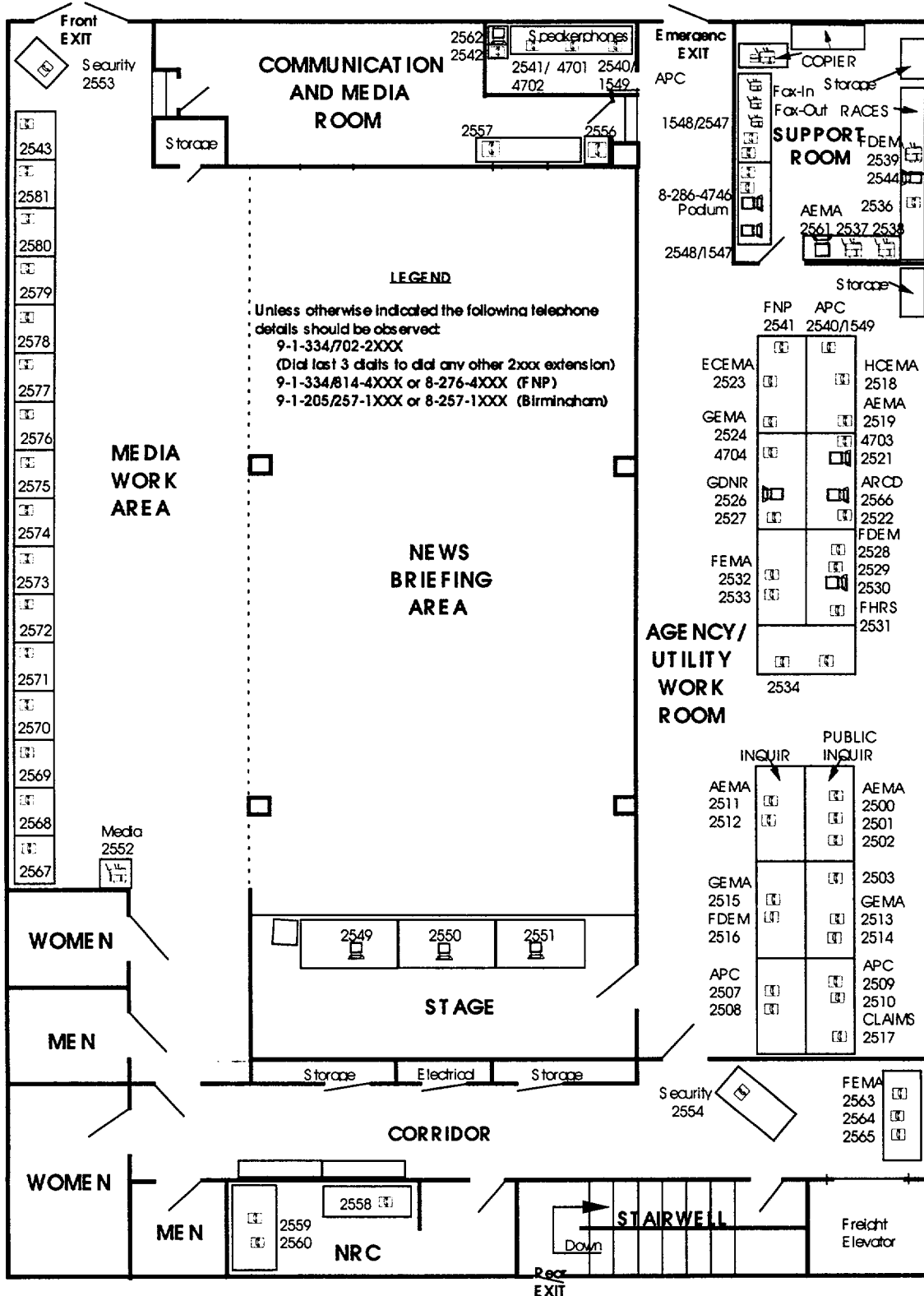


FIGURE 6

FARLEY NUCLEAR PLANT OFF PREMISIS EXTENSIONS (OPXs)

DOTHAN		HEADLAND	MONTGOMERY	CLANTON	BLAKELY	ATLANTA
HC COURTHOUSE (FEOC)	NEWS MEDIA CENTER (NMC)	WIREGRASS DIST OFFICE (ALT EOF)	ARCD OFFICE (EOC)	AEMA BUILDING (EOC)	EC SHERIFF OFFICE (FEOC)	GEMA/GA DNR (EOC)
HCEMA DIR 6623	SNC SPOKESPERSON 4701	RECOVERY MGR 6186	ARCD 6628	AEMA 6619	ECEMA 6620	GEMA 6629
ARCD 6621	SNC ASSISTANT TO SPOKESPERSON 4702	DAD 6185			GEMA/ECEMA 6622	
AEMA/HCEMA 6625	AEMA 4703	STATUS BOARDS 6188			GEMA/DNR 6626	
HC LIAISON 6627	GEMA 4704				EC LIAISON 6624	

The numbers listed in the table above can be dialed directly from the plant on any Farley extension by dialing the four digit extension. To dial from any other company telephone precede with the 8-276 prefix. Any of the above numbers can call any Farley extension or one another by dialing the four digit extension. to call a company phone other than a 276 prefix, first dial 8, the correct prefix and then the four digit extension.