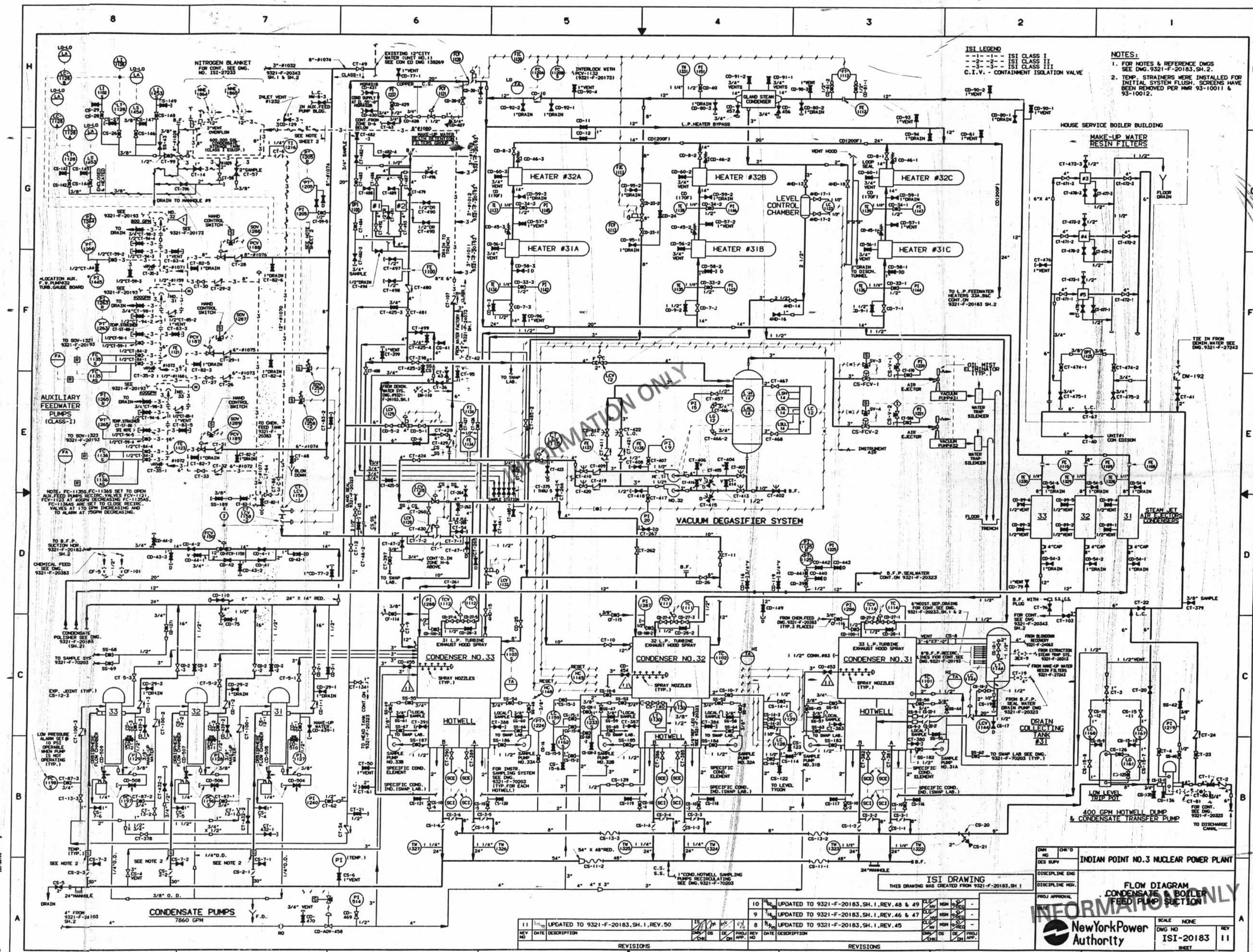


INFORMATION ONLY



ISI LEGEND
 - - - - - ISI CLASS 1
 - - - - - ISI CLASS 2
 - - - - - ISI CLASS 3
 - - - - - ISI CLASS 4
 - - - - - ISI CLASS 5
 - - - - - ISI CLASS 6
 - - - - - ISI CLASS 7
 - - - - - ISI CLASS 8
 - - - - - ISI CLASS 9
 - - - - - ISI CLASS 10
 - - - - - ISI CLASS 11
 - - - - - ISI CLASS 12
 - - - - - ISI CLASS 13
 - - - - - ISI CLASS 14
 - - - - - ISI CLASS 15
 - - - - - ISI CLASS 16
 - - - - - ISI CLASS 17
 - - - - - ISI CLASS 18
 - - - - - ISI CLASS 19
 - - - - - ISI CLASS 20
 - - - - - ISI CLASS 21
 - - - - - ISI CLASS 22
 - - - - - ISI CLASS 23
 - - - - - ISI CLASS 24
 - - - - - ISI CLASS 25
 - - - - - ISI CLASS 26
 - - - - - ISI CLASS 27
 - - - - - ISI CLASS 28
 - - - - - ISI CLASS 29
 - - - - - ISI CLASS 30
 - - - - - ISI CLASS 31
 - - - - - ISI CLASS 32
 - - - - - ISI CLASS 33
 - - - - - ISI CLASS 34
 - - - - - ISI CLASS 35
 - - - - - ISI CLASS 36
 - - - - - ISI CLASS 37
 - - - - - ISI CLASS 38
 - - - - - ISI CLASS 39
 - - - - - ISI CLASS 40
 - - - - - ISI CLASS 41
 - - - - - ISI CLASS 42
 - - - - - ISI CLASS 43
 - - - - - ISI CLASS 44
 - - - - - ISI CLASS 45
 - - - - - ISI CLASS 46
 - - - - - ISI CLASS 47
 - - - - - ISI CLASS 48
 - - - - - ISI CLASS 49
 - - - - - ISI CLASS 50
 - - - - - ISI CLASS 51
 - - - - - ISI CLASS 52
 - - - - - ISI CLASS 53
 - - - - - ISI CLASS 54
 - - - - - ISI CLASS 55
 - - - - - ISI CLASS 56
 - - - - - ISI CLASS 57
 - - - - - ISI CLASS 58
 - - - - - ISI CLASS 59
 - - - - - ISI CLASS 60
 - - - - - ISI CLASS 61
 - - - - - ISI CLASS 62
 - - - - - ISI CLASS 63
 - - - - - ISI CLASS 64
 - - - - - ISI CLASS 65
 - - - - - ISI CLASS 66
 - - - - - ISI CLASS 67
 - - - - - ISI CLASS 68
 - - - - - ISI CLASS 69
 - - - - - ISI CLASS 70
 - - - - - ISI CLASS 71
 - - - - - ISI CLASS 72
 - - - - - ISI CLASS 73
 - - - - - ISI CLASS 74
 - - - - - ISI CLASS 75
 - - - - - ISI CLASS 76
 - - - - - ISI CLASS 77
 - - - - - ISI CLASS 78
 - - - - - ISI CLASS 79
 - - - - - ISI CLASS 80
 - - - - - ISI CLASS 81
 - - - - - ISI CLASS 82
 - - - - - ISI CLASS 83
 - - - - - ISI CLASS 84
 - - - - - ISI CLASS 85
 - - - - - ISI CLASS 86
 - - - - - ISI CLASS 87
 - - - - - ISI CLASS 88
 - - - - - ISI CLASS 89
 - - - - - ISI CLASS 90
 - - - - - ISI CLASS 91
 - - - - - ISI CLASS 92
 - - - - - ISI CLASS 93
 - - - - - ISI CLASS 94
 - - - - - ISI CLASS 95
 - - - - - ISI CLASS 96
 - - - - - ISI CLASS 97
 - - - - - ISI CLASS 98
 - - - - - ISI CLASS 99
 - - - - - ISI CLASS 100

NOTES:
 1. FOR NOTES AND REFERENCE DWGS SEE DWG 9321-F-20183, SH. 2.
 2. TEMP. STRAINERS WERE INSTALLED FOR INITIAL SYSTEM FLUSH. STRAINERS HAVE BEEN REMOVED PER PARA 93-10011 & 93-10012.

ISI DRAWING
 THIS DRAWING WAS CREATED FROM 9321-F-20183, SH. 1

NO.	DATE	DESCRIPTION	BY	CHKD.	APP'D.
11	10/1/03	UPDATED TO 9321-F-20183, SH. 1, REV. 50			
10	9/15/03	UPDATED TO 9321-F-20183, SH. 1, REV. 49 & 49			
9	9/15/03	UPDATED TO 9321-F-20183, SH. 1, REV. 46 & 47			
8	9/15/03	UPDATED TO 9321-F-20183, SH. 1, REV. 45			

INDIAN POINT NO. 3 NUCLEAR POWER PLANT
 FLOW DIAGRAM
 CONDENSATE & BOILER
 FEED PUMP SECTION
 INFORMATION ONLY
 New York Power Authority
 SCALE NONE
 DWG NO ISI-20183
 SHEET 11

D1