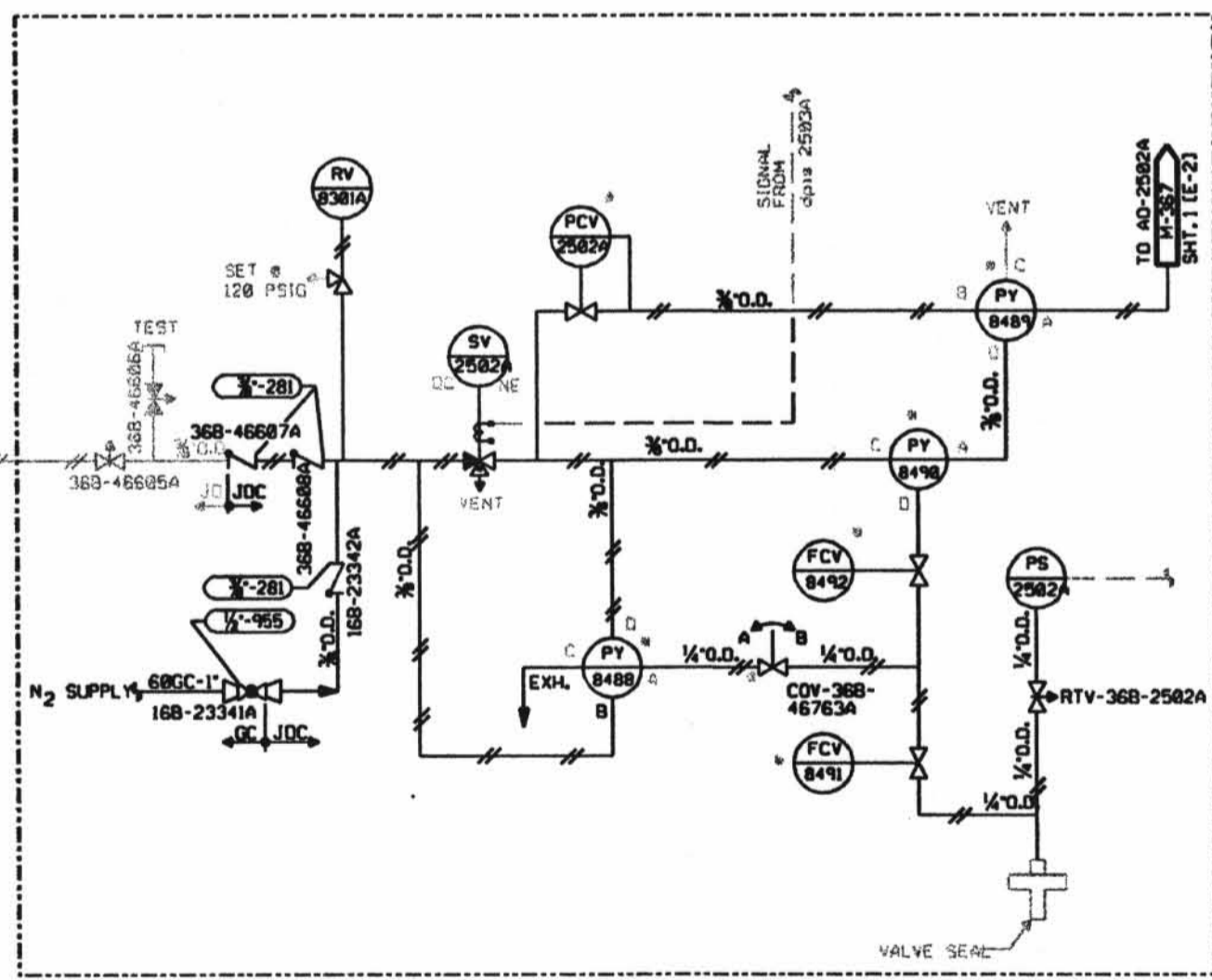
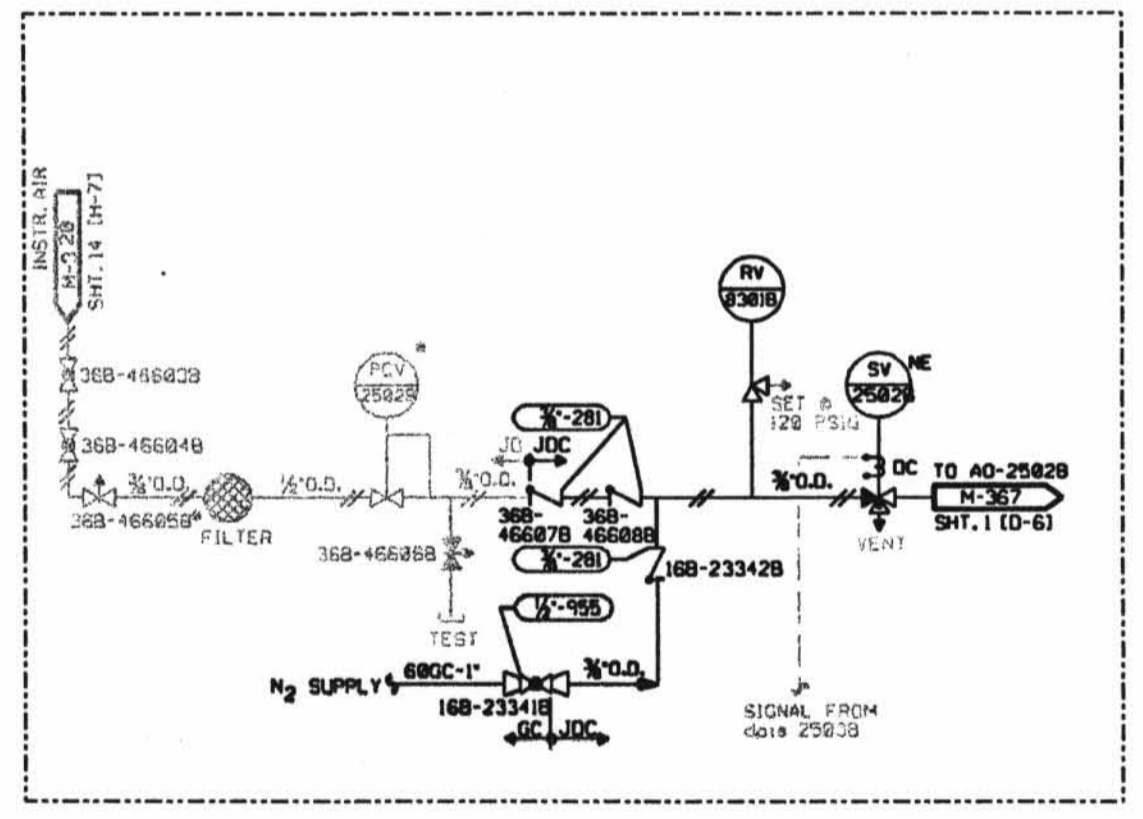


VALVE	NO.	SH. 1 ZONE (F-6)	SH. 1 ZONE (G-6)
1	368-44752	368-44752	368-44752
2	368-44692	368-44692	368-44692
3	368-44751	368-44751	368-44751
4	168-23347	168-23347	168-23347
5	168-23345	168-23345	168-23345
6	168-23346	168-23346	168-23346
7	RV-2509	RV-2509	RV-2509
8	PCV-368-2508	PCV-368-2508	PCV-368-2508
9			
10			

VALVE TAG LIST
USE WITH DETAIL 'A' (F-1D)



DETAIL 5-C
SHEET 1 ZONE E-2



DETAIL 5-A
SHEET 1 ZONE D-6

- NOTES:
- THIS DRAWING INCLUDES THE FOLLOWING LICENSE RENEWAL SYSTEMS:
 CD - CONTAINMENT ATMOSPHERIC CONTROL AND DILUTION
 TO - SAFETY GRADE INSTRUMENT GAS
 - THIS DRAWING IS BASED ON
 P&ID M-367 SHEET 3 REV 71.

THIS SHEET FOR UNIT 2, 3 & COMMON
MECHANICAL

NO.	DATE	DESCRIPTION	REV.	BY	CHKD.	APP'D.

LICENSE RENEWAL DRAWING
CONTAINMENT ATMOSPHERIC
CONTROL SYSTEM
PEACH BOTTOM AFS UNITS 2 & 3
EXELON
SHEET 3 OF LR-M-367