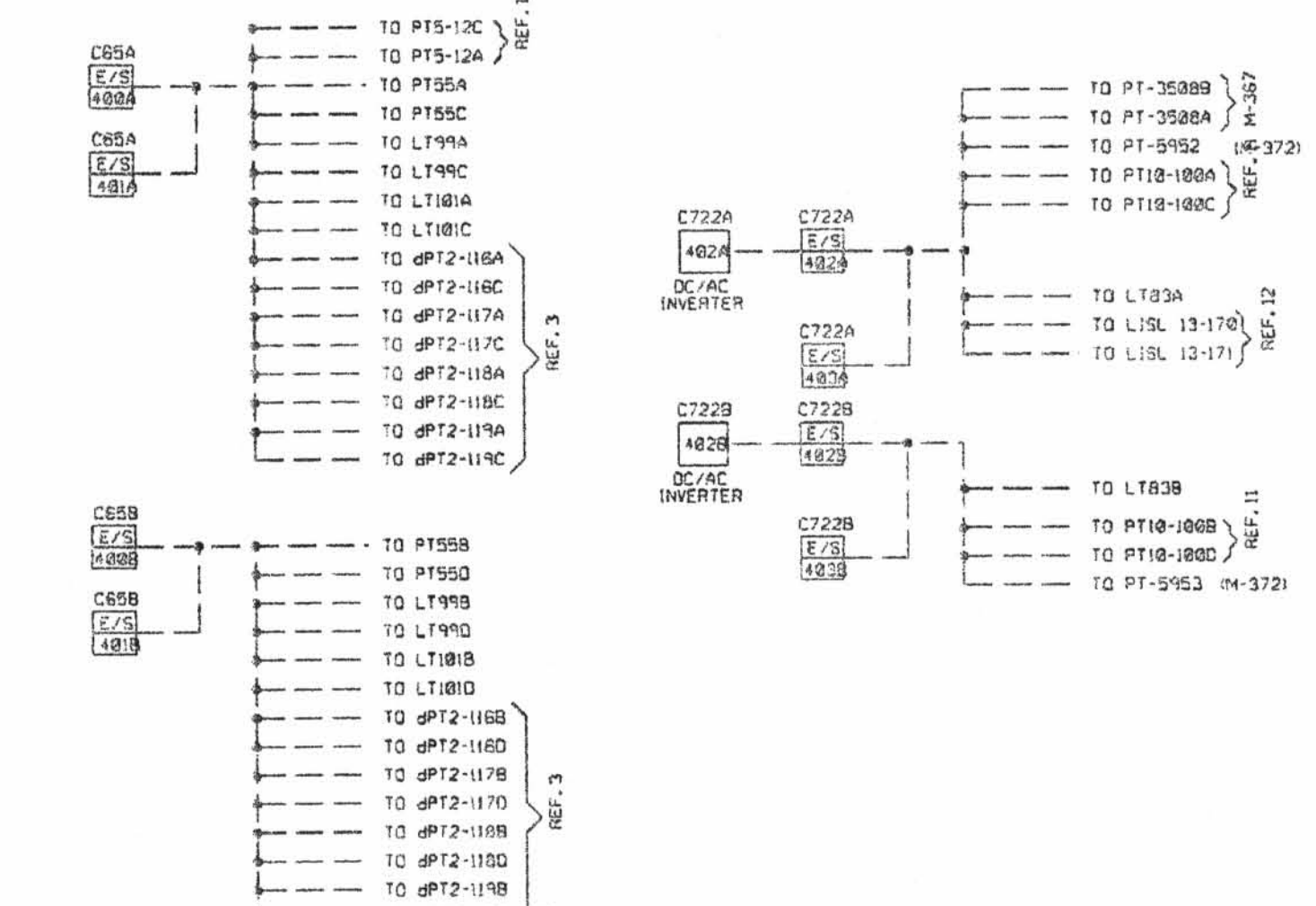


ELEVATION CORRELATION CHART

REFERENCE	INCHES ABOVE VESSEL ZERO (COOL)	DESCRIPTION OF TRIPS	INSTRUMENT PROVIDING TRIP	REACTOR VESSEL LEVEL	INDICATED LEVELS AND ANALYTICAL LIMITS
NOZZLE N12 A,B	599			REF. 2	SAFEGUARD FEEDWATER L12-3-88 LR/PR6-98
FEEDWATER SYSTEM & REACTOR PROTECTION SYSTEM	593	TRIP RCIC & HPCI TURBINES	ALARM UNIT LS-115A,B,C,D 30 OUTPUT D	8	55
	589	REACTOR FEED PUMP TRIP		7	31
		CLOSE MAIN TURBINE STOP VALVES			29
		HIGH LEVEL ALARM	LR/PR6-98	5.8	
	NORMAL WATER LEVEL	FEEDWATER LEVEL CONTROL LR/PR6-98		17	
	LOW LEVEL ALARM				
FEEDWATER SYSTEM & REACTOR PROTECTION SYSTEM INSTRUMENT ZERO	527.5	SCRAM & CLOSE PRIMARY SYSTEM ISOLATION VALVES EXCEPT MAIN STEAM LINE AUTO DEPRESSURIZATION CONFIRMATORY	LIS-101A,B,C,D LIS-92A,B	3.4	8
	517	INITIATE RCIC & HPCI TRIP RECIRCULATION PUMPS / ARI	QUITS 458 2/5-120A,B,C,D OUTPUTS C&D	2	-58
REACTOR PROTECTION SYSTEM	373	CLOSE MAIN STEAM LINE ISOLATION VALVES CONTRIBUTE TO AUTO DEPRESSURIZATION SYSTEM START STANDBY DIESEL	LIS-91A,B,C,D LIS-118A,B,C,D		-165
	366				
TOP OF ACTIVE FUEL NOZZLE N16A,B	321				
LOWER JET PUMP OF TANK NOZZLE N8A,B	125				

JET PUMP INST. TABLE

LOOP	JP	FT	E/S	APT	L/I	FIC	FI	FR
A	1	64A	77A	78A	64A			
	2	B	IC3B	A	IC3B			
	3	C		B				
	4	D		B				
B	5	64E	77B	78C	61B		92A	IC34A
	6	F	IC3B	C	IC3B			
	7	G		D				
	8	H		E				
	9	J		D				
A	11	64L	77C	78F	64C		75	IC3B
	12	M	IC3B	F	IC3B			
	13	N		G				
	14	P		G				
	15	64R	77D	78G	64E			92B
	16	S	IC3B	H	IC3B			IC34A
	17	T		J				
	18	U		J				
	19	V		K				
	20	W		X				
B	6	63A	77E	78I	94A		87A	
	6	63C	77E	78I	94B		B	
A	11		6-91	IC1B			C	
	16		77E	IC3B	94D		D	



- NOTES:
- THIS DRAWING INCLUDES THE FOLLOWING LICENSE RENEWAL SYSTEMS:
RI - REACTOR PRESSURE VESSEL INSTRUMENTATION
 - THIS DRAWING IS BASED ON P&ID M-352 SHEET 4 REV 55.

THIS SHEET FOR UNIT 3

MECHANICAL

LICENSE RENEWAL DRAWING
NUCLEAR BOILER
VESSEL INSTRUMENTATION

PEACH BOTTOM APS UNITS 2 & 3
EXELON

SHEET 4 OF LR-M-352 A

TABLE OF ADDITIONS & CHANGES	
NO	DESCRIPTION
1	INITIAL ISSUE FOR LICENSE RENEWAL