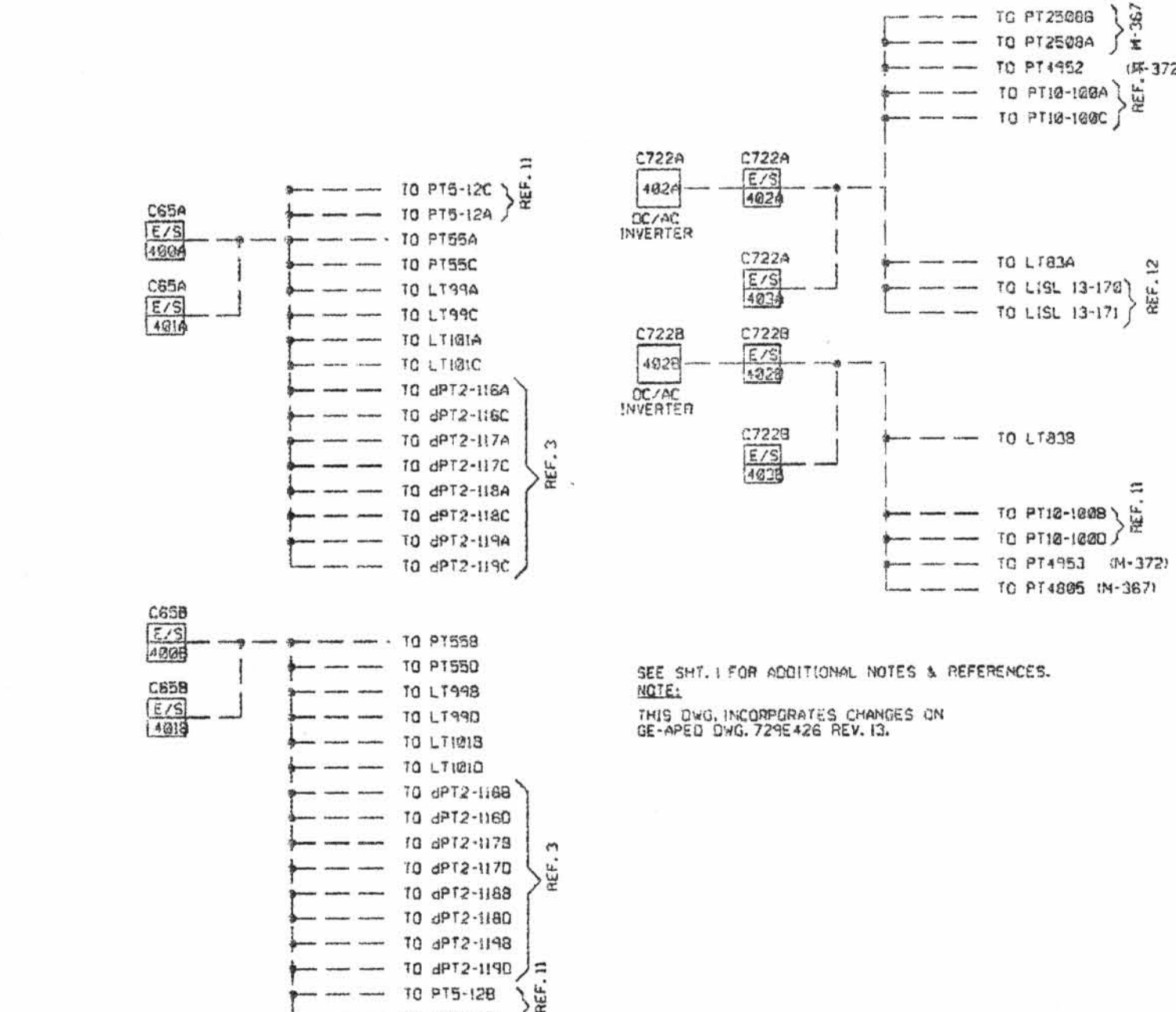


ELEVATION CORRELATION CHART

REFERENCE	INCHES ABOVE VESSEL ZERO (COLD)	DESCRIPTION OF TRIPS	INSTRUMENT PROVIDING TRIP	REACTOR VESSEL LEVEL	INDICATED LEVELS AND ANALYTICAL LIMITS
NOZZLE N12 A,B	594			REF. 22	FEEDWATER SYSTEM & REACTOR PROTECTION SYSTEM
FEEDWATER SYSTEM & REACTOR PROTECTION SYSTEM	593	TRIP RCIC & HPCI TURBINES	XS-118A,B,C,D	8	35
	589	REACTOR FEED PUMP TRIP	LS-12A,B,C	7	51
		CLOSE MAIN TURBINE STOP VALVES	LS-12A,B,C	7	29
		HIGH LEVEL ALARM	LS-12A,B,C	7	29
		FEEDWATER SYSTEM NORMAL WATER LEVEL	LS-12A,B,C	7	29
		LOW LEVEL ALARM	LS-12A,B,C	7	17
FEEDWATER SYSTEM & REACTOR PROTECTION SYSTEM INSTRUMENT ZERO	538	SCRAM & CLOSE PRIMARY SYSTEM ISOLATION VALVES EXCEPT MAIN STEAM LINE AUTO DEPRESSURIZATION SYSTEM INSTRUMENT ZERO	LIS-108A,B,C,D LIS-103A,B	3,4	8
BOTTOM OF DRYER SKIRT NOZZLE N14A,B	527.5				
	517	INITIATE RCIC & HPCI TRIP RECIRCULATION PUMPS / ART	XS-118A,B,C,D	2	-85
REACTOR PROTECTION SYSTEM	373	CLOSE MAIN STEAM LINE ISOLATION VALVES INITIATE SCRAM & CLOSE SPRAY SYSTEMS CONTRIBUTES TO AUTO DEPRESSURIZATION SYSTEM START "STANDBY" DIESEL	LIS-108A,B,C,D		-171.7
TOP OF ACTIVE FUEL NOZZLE N16A,B	368.5				
LOWER JET PUMP OF T NOZZLE N16A,B	321.5	CONTAINMENT SPRAY PERMISSIVE	XS-118A,B	8	
	135				

JET PUMP INST. TABLE

LOOP	JP	FT	E/S	AP	E	FI	L	FR
B	1	G4A	77A	74A	75A			
	2	G4B	(C-38)	B	(C-38)			
	3	C	C	C	C			
	4	D	D	D	D			
	5	E	E	E	E			
A	6	S4F	77B	74F	75B	78A	92A	
	7	H	(C-38)	G	(C-38)	(C-38)	(C-38)	
	8	J	J	J	J			
	9	K	K	K	K			
	10	L	L	L	L			
	11	M	77C	74C	75C			95
	12	N	(C-38)	M	(C-38)	(C-38)		BLACKPEN (C-38)
	13	O	O	O	O			
	14	P	P	P	P			
	15	Q	Q	Q	Q			
B	16	S4S	77D	74S	75D	78B	92B	
	17	U	(C-38)	T	(C-38)	(C-38)	(C-38)	
	18	V	V	V	V			
	19	W	W	W	W			
A	20	X	X	X	X			
	21	Y	Y	Y	Y			
	22	Z	Z	Z	Z			



NOTES:

- THIS DRAWING INCLUDES THE FOLLOWING LICENSE RENEWAL SYSTEMS:
RI - REACTOR PRESSURE VESSEL INSTRUMENTATION
- THIS DRAWING IS BASED ON P&ID M-352 SHEET 2 REV 61.

THIS SHEET FOR UNIT 2 & COMMON
MECHANICAL

LICENSE RENEWAL DRAWING
NUCLEAR BOILER
VESSEL INSTRUMENTATION

PEACH BOTTOM APS UNITS 2 & 3
EXELON

SHEET 2 OF LR-M-352

TABLE OF ADDITIONS & CHANGES

NO.	DATE	DESCRIPTION	BY	APP'D
1				
2				

LR-M-352 (SHT.2)

CATEGORY A1
D-46