

(FOR VALVE NOS. ON RACKS 305198, 305199 & 305200 SEE TABLES 1, 2 & 5 & ZONES (A,B-4,5,6,7,8), (C,M-1,2,3,4,5,1) & (E,F-1,2,3) RESPECTIVELY)

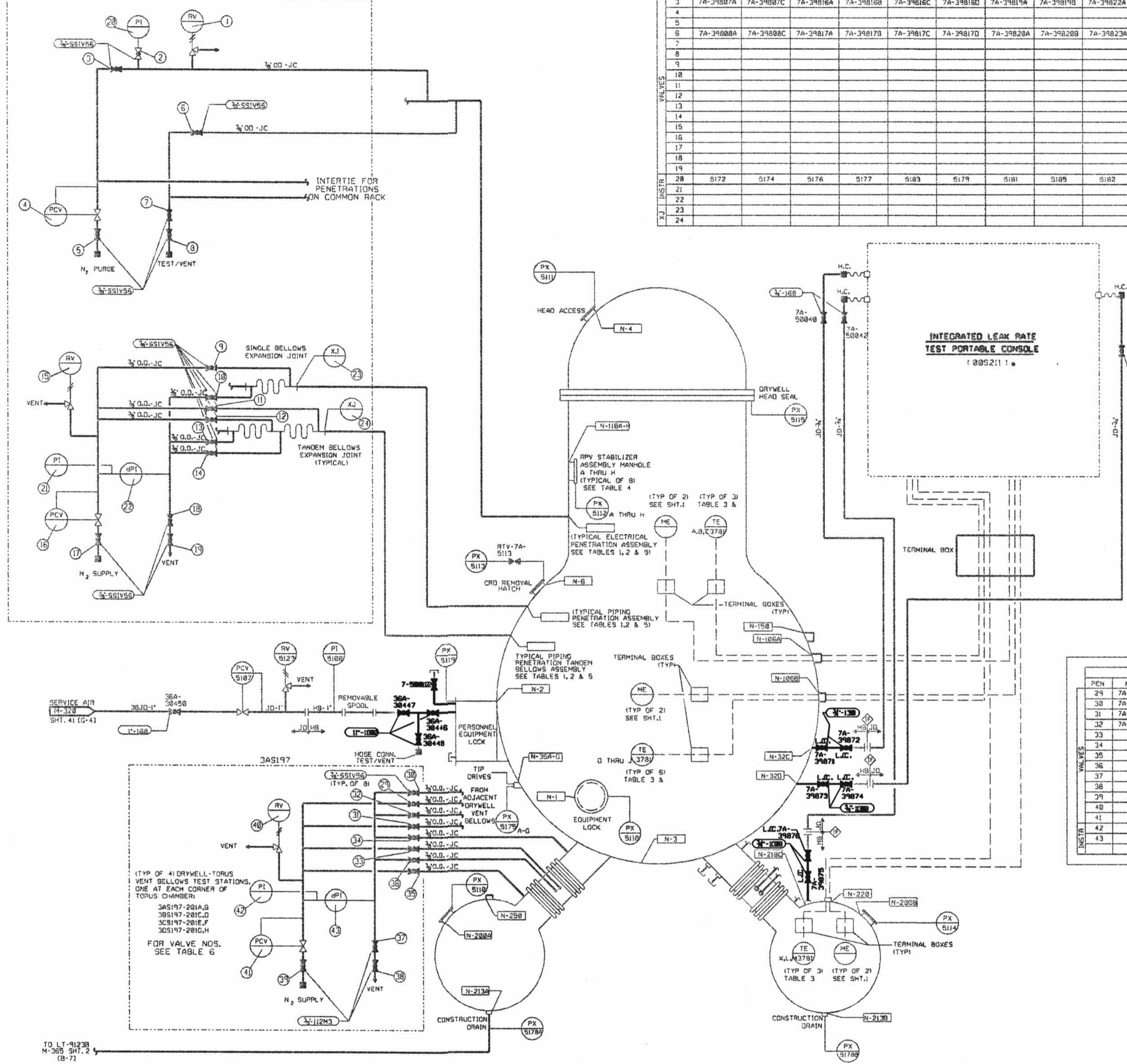


Table 2: Rack 305199 - Table 2. Grid with columns for PEN TYPE, BELLOWS, and rack specifications (N-108A through N-108S).

Table 5: Rack 305200 - Table 5. Grid with columns for PEN TYPE, BELLOWS, and rack specifications (N-108A through N-108S).

Table 6: Drywell - Torus Vent Bellows Test - Table 6. Grid with columns for PEN TYPE, BELLOWS, and rack specifications (N-201A through N-201H).

Table 1: Rack 305198 - Table 1. Grid with columns for PEN TYPE, BELLOWS, and rack specifications (N-1080 through N-108S).

Table 3: ILRT Sensor Locations - Table 3. Table with columns for INSTRUMENT NO., ELEVATION, AZIMUTH, DISTANCE FROM DRYWELL E, and COMPARTMENT.

Table 4: RPV Stabilizer Assembly Manhole Locations - Table 4. Table with columns for VALVE No., PENETRATION, ELEVATION, and AZIMUTH.

- NOTES: 1. THIS DRAWING SHOWS SERVICE AIR AND ILRT PIPING AND VALVES IN THE SCOPE OF LICENSE RENEWAL... 2. THIS DRAWING INCLUDES THE FOLLOWING LICENSE RENEWAL SYSTEMS... 3. THIS DRAWING IS BASED ON P&ID M-332 SHEET 2 REV 26.

Table of Additions & Changes. Table with columns for NO., DATE, DESCRIPTION, REVD, and BY.

THIS SHEET FOR UNIT 3 ONLY MECHANICAL LICENSE RENEWAL DRAWING PRIMARY CONTAINMENT LEAK TESTING PEACH BOTTOM APS UNITS 2 & 3 EXELON SHEET 2 OF LR-M-332