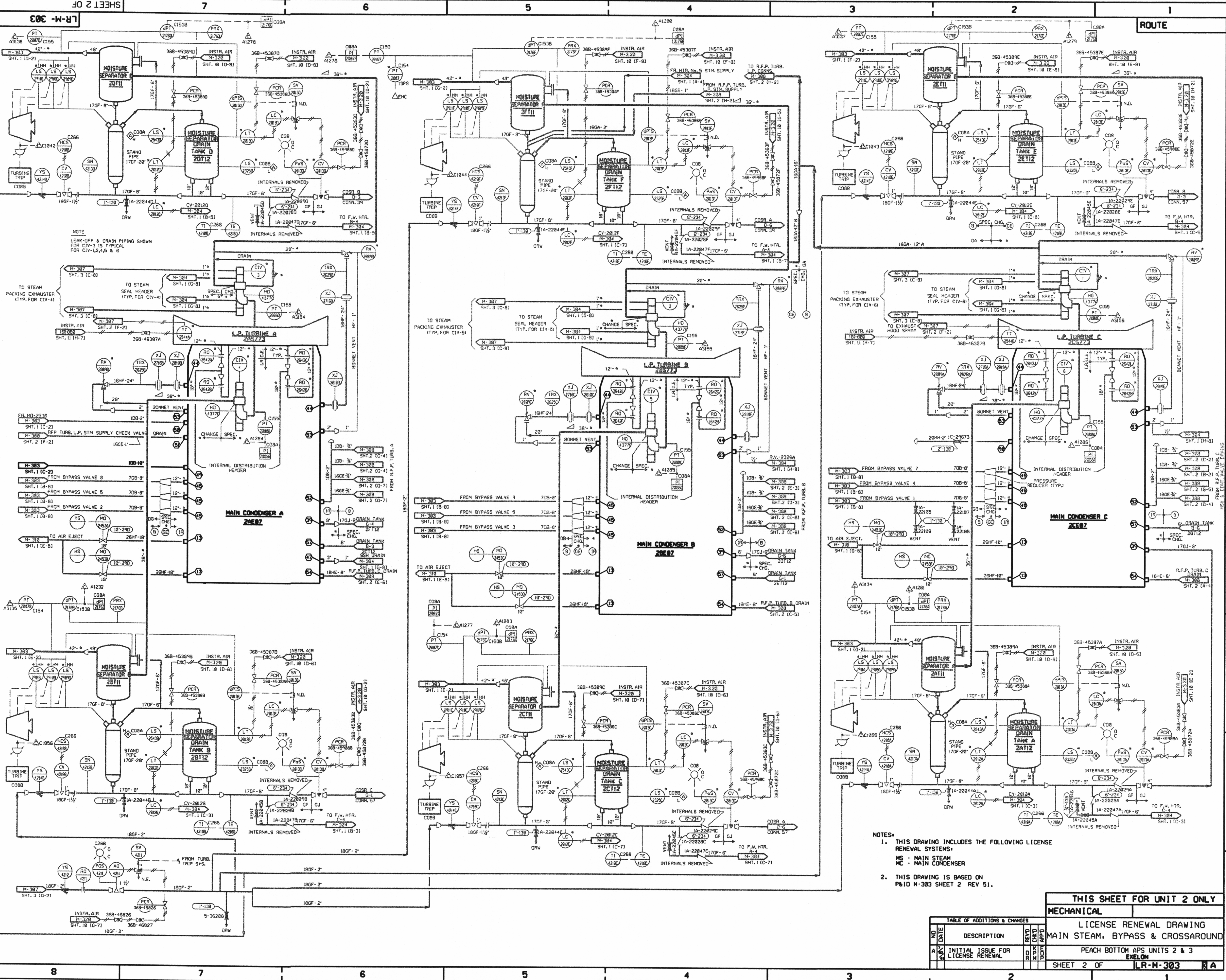


LP-M-303 (SHT.2)



NOTE  
LEAK-OFF & DRAIN PIPING SHOWN  
FOR CIV-3 IS TYPICAL  
FOR CIV-1, 2, 4, 5 & 6

FR. MD. 2836  
N. 383  
SHT. 1 (C-2)  
R.P. TURB. L.P. STN SUPPLY CHECK VALVE  
SHT. 2 (F-2)

N. 383  
SHT. 1 (C-2)  
FROM BYPASS VALVE 8  
70B-8"  
N. 383  
SHT. 1 (B-8)  
FROM BYPASS VALVE 5  
70B-8"  
N. 383  
SHT. 1 (B-8)  
FROM BYPASS VALVE 2  
70B-8"  
N. 383  
SHT. 1 (B-8)  
FROM BYPASS VALVE 2  
70B-8"

N. 318  
SHT. 1 (E-8)  
TO AIR EJECT  
18"-250"  
N. 318  
SHT. 1 (E-8)  
TO AIR EJECT  
18"-250"

N. 383  
SHT. 1 (C-2)  
N. 383  
SHT. 1 (C-2)  
N. 383  
SHT. 1 (C-2)

N. 387  
SHT. 3 (C-2)  
N. 387  
SHT. 3 (C-2)  
N. 387  
SHT. 3 (C-2)

N. 387  
SHT. 10 (G-7)  
N. 387  
SHT. 10 (G-7)  
N. 387  
SHT. 10 (G-7)

- NOTES:
- THIS DRAWING INCLUDES THE FOLLOWING LICENSE RENEWAL SYSTEMS:  
MS - MAIN STEAM  
MC - MAIN CONDENSER
  - THIS DRAWING IS BASED ON P&ID M-303 SHEET 2 REV 51.

TABLE OF ADDITIONS & CHANGES			
NO.	DATE	DESCRIPTION	BY
1		INITIAL ISSUE FOR LICENSE RENEWAL	

THIS SHEET FOR UNIT 2 ONLY	
MECHANICAL	
LICENSE RENEWAL DRAWING	
MAIN STEAM, BYPASS & CROSSAROUND	
PEACH BOTTOM APS UNITS 2 & 3	
EXCELON	
SHEET 2 OF	LR-M-303

CATEGORY A1

D-6