

# Personnel Access Data System Operational Overview

James W. Davis

202-739-8105

June 12, 2001



## Agenda

- Overview--Jim Davis
- In-processing guidance--Rich Enkeboll
- PADS screens and fields--Bob Kelm
- System Operation--Bob Kelm
- Examples--All
  - On-line using PADS training data base



## History

- March 94--Industry initiative vote
- January 95--Audit program starts
  - NEI-94-02 guidance
  - Team audits of approved contractors
- January 96--Electronic system starts
  - Subsumes the "INDEX" system
  - Two years to provide all licensees have on line capability



## Commitment

- "I agree to **standardize** the approach for in-processing of nuclear plant workers through the establishment of a computer-based national personnel data system, a central records repository for access authorization records for transient workers, **standardized** plant access training programs and **shared** contractor/vendor access authorization audit functions and results."
- Participation agreement signed by all power reactor licensees
  - Does not include shutdown plants with unique requirements, such as Main Yankee



## Governing Principles

- The industry's standards for assuring safe and reliable electricity from commercial nuclear power will not be compromised;
- Any actions taken will use existing organizations, programs, processes and material to the maximum extent possible;
- Collective industry knowledge and experience will be used to ensure best business and operating practices;
- The transition from current individual licensee processes and practices to the industry-wide process will be accomplished in the simplest, most cost-effective and equitable manner;

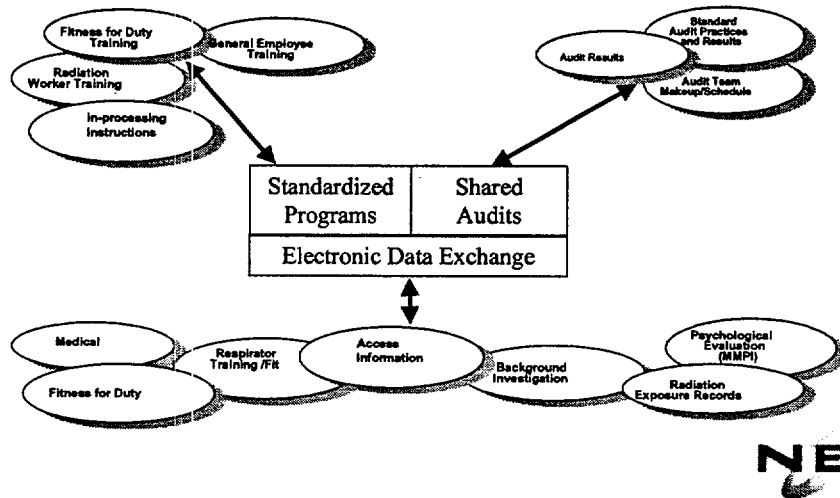


## Governing Principles (Cont.)

- ➔ ■ Members will be provided proposed standardized products for review and comment and an industry-wide standard approach will be developed;
- ➔ ■ The system will provide information in a timely, accurate, complete, and secure manner that can be easily and quickly revised, if needed;
  - The approach will minimize the need to generate additional paper, with the ultimate industry goal of a "paperless process"; and
- ➔ ■ The system will provide security for personal information in the data base with due regard for all legal requirements.



## PADS Scope



## Standard Process

- A major, two year, challenge
  - Up to 7 Task Forces involved
  - Many workshops and meetings
- Regulatory interface
  - Detailed review of all existing guidance
  - Frequent meetings and discussion
  - Formal correspondence
    - ◆ NEI 95-01 submitted for comment two times
    - ◆ Series of letters on open issues

NEI

# Industry Guidance

- NEI 94-02, Standard Audit Process for Licensee-Approved Contractor/Vendor AA/FFD Programs
- NEI 95-01, NPP Personnel Access Authorization Standards and Procedures
- NEI 95-03, PADS Health Physics Standards and Procedures
- NEI 95-04, Guideline for General Plant Access Training



## ORGANIZATION OF INDUSTRY GUIDANCE DOCUMENTS

### Industry Standard Practices Including Meeting Regulatory Intent

- NEI 95-01, NPP Personnel Access Authorization Standards and Procedures
- NEI 94-02, Standard Audit Process for Licensee-Approved Contractor/Vendor AA/FFD Programs
- NEI 95-03, PADS Health Physics Standards and Procedures
- NEI 95-04, Guideline for General Plant Access Training

### PADS NEI 95-05 Operating Manual

- Part I – Guidelines
  - Responsibilities and policies
  - Data element definitions
- Part II – Operating Procedures
  - Basic data entry
  - Access screens
  - HP screens
  - Training screens
- Part III – System Administration
  - Data validation
  - Internal audits
  - Training
  - System management
  - Database administration

### NEI 95-06, PADS Electronic System Technical Documentation

- Part 1: System manager's manual
- Part 2: Enhanced batch interface user's manual

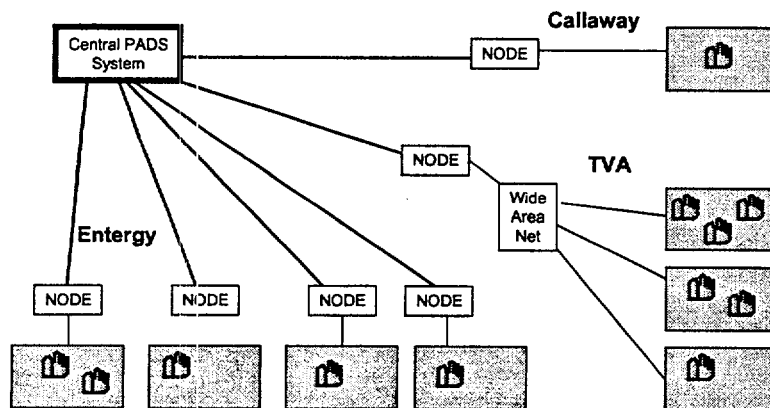


## The System

- Equipment
  - Central server--the master
  - User “node”, or local server
  - Frame relay communications system
- “Relational database with partial replication”
  - Each node maintains an exact copy of those records being used
  - Provides reliability and timelines

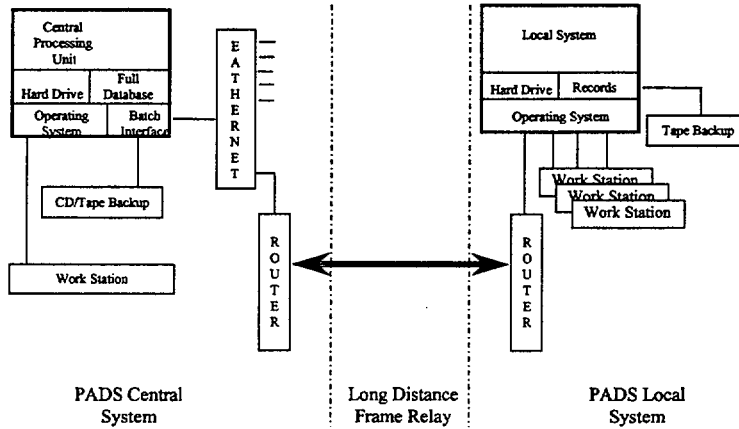
NEI

## Types of Service

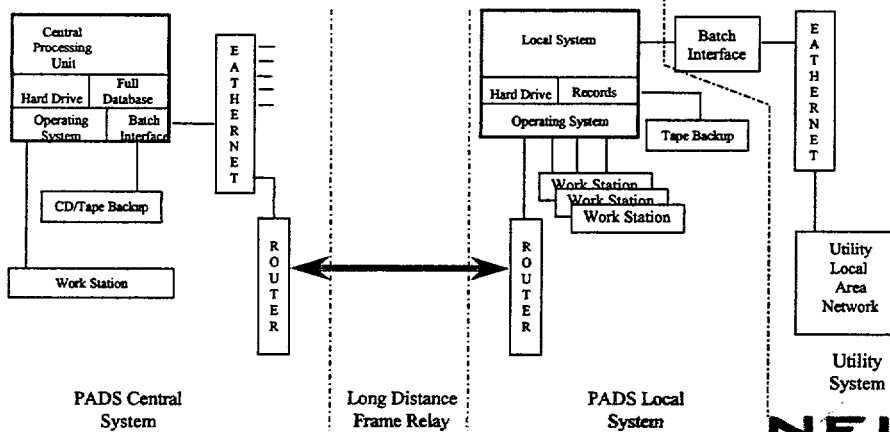


NEI

# PADS basic system



# PADS with LAN access



## **PADS Data**

- Data Element
  - Clearly defined in NEI 95-05
  - Not narrative--(one exception in HP)
  - No attachments
- Tables
  - A database function
  - Stores information in logical sets--HP, training, etc.
- Screens
  - User interface only
  - Draws from multiple tables
  - Only update database when "saved"
  - "Tested" before database updated



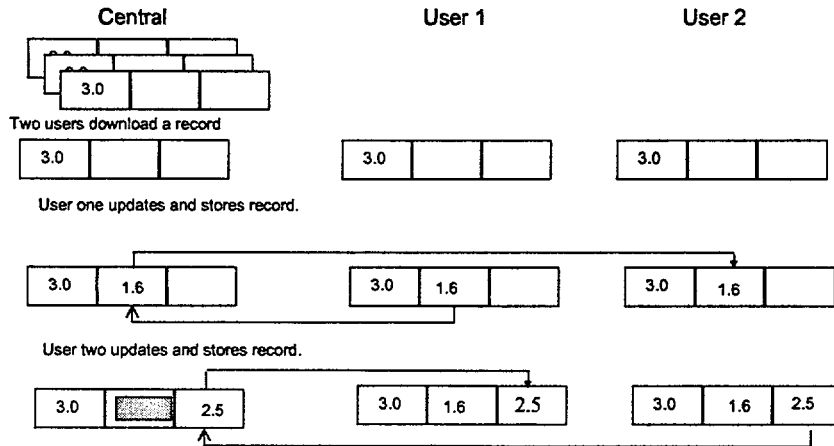
## **Database**

- All records reside on the central server
- Nodes have copies of records being used
  - Improved speed for record updates
  - Continued operation if communications lost
  - Efficient batch processing and searches
- For each "transaction" all copies of a record update





# Partial Replication



NEI

## Where did data come from?

- Plant Code
  - Generated the record and has the files
  - For example: Harris, Westinghouse, INPO
- Input Code
  - Put the information into PADS
  - In the example: Harris, Harris, Harris
- Screening Company
  - Actually did the work for a BI or HHS lab for a FFD sample
- Holding Company
  - The licensee that made the UAA determination.

NEI

## **Key time periods**

- Less than 30 days
- Within last 60 days
- 31 to 365 days
- between 366 days and 5 years
- Greater than 5 years

**NEI**