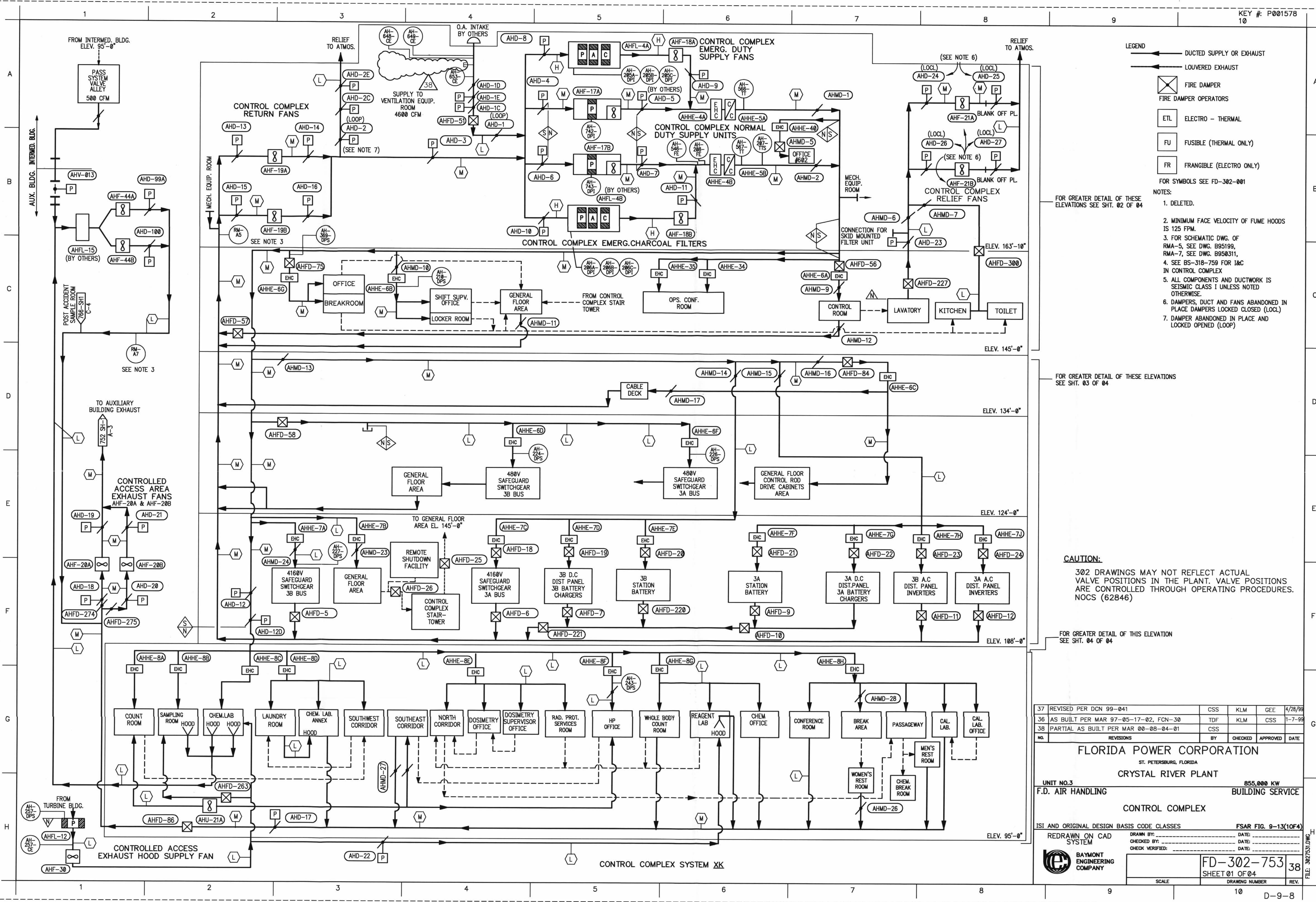


KEY # P001578
10



- LEGEND
- DUCTED SUPPLY OR EXHAUST
 - ↘ LOUVERED EXHAUST
 - ⊗ FIRE DAMPER
 - ⊗ FIRE DAMPER OPERATORS
 - ETL ELECTRO-THERMAL
 - FU FUSIBLE (THERMAL ONLY)
 - FR FRANGIBLE (ELECTRO ONLY)
- FOR SYMBOLS SEE FD-302-001
- NOTES:
1. DELETED.
 2. MINIMUM FACE VELOCITY OF FUME HOODS IS 125 FPM.
 3. FOR SCHEMATIC DWG. OF RMA-5, SEE DWG. BS5199, RMA-7, SEE DWG. BS50811.
 4. SEE BS-318-759 FOR I&C IN CONTROL COMPLEX
 5. ALL COMPONENTS AND DUCTWORK IS SEISMIC CLASS 1 UNLESS NOTED OTHERWISE
 6. DAMPERS, DUCT AND FANS ABANDONED IN PLACE DAMPERS LOCKED CLOSED (LOCL)
 7. DAMPER ABANDONED IN PLACE AND LOCKED OPENED (LOOP)

FOR GREATER DETAIL OF THESE ELEVATIONS SEE SHT. 02 OF 04

FOR GREATER DETAIL OF THESE ELEVATIONS SEE SHT. 03 OF 04

CAUTION:
302 DRAWINGS MAY NOT REFLECT ACTUAL VALVE POSITIONS IN THE PLANT. VALVE POSITIONS ARE CONTROLLED THROUGH OPERATING PROCEDURES. NOCS (62846)

FOR GREATER DETAIL OF THIS ELEVATION SEE SHT. 04 OF 04

37	REVISED PER DCN 99-041	CSS	KLM	GEE	4/28/98
36	AS BUILT PER MAR 97-05-17-02, FCN-30	TDF	KLM	CSS	1-7-99
38	PARTIAL AS BUILT PER MAR 00-08-04-01	CSS			
NO.	REVISIONS	BY	CHECKED	APPROVED	DATE

FLORIDA POWER CORPORATION
ST. PETERSBURG, FLORIDA

CRYSTAL RIVER PLANT
855,000 KW BUILDING SERVICE

UNIT NO.3
F.D. AIR HANDLING

CONTROL COMPLEX

ISI AND ORIGINAL DESIGN BASIS CODE CLASSES FSAR FIG. 9-13(10F4)
REDRAWN ON CAD SYSTEM

CHECKED BY: DATE: _____
CHECK VERIFIED: DATE: _____

BAYMONT ENGINEERING COMPANY

FD-302-753
SHEET 01 OF 04
DRAWING NUMBER

38
REV. _____

SCALE _____

D-9-8

D-1