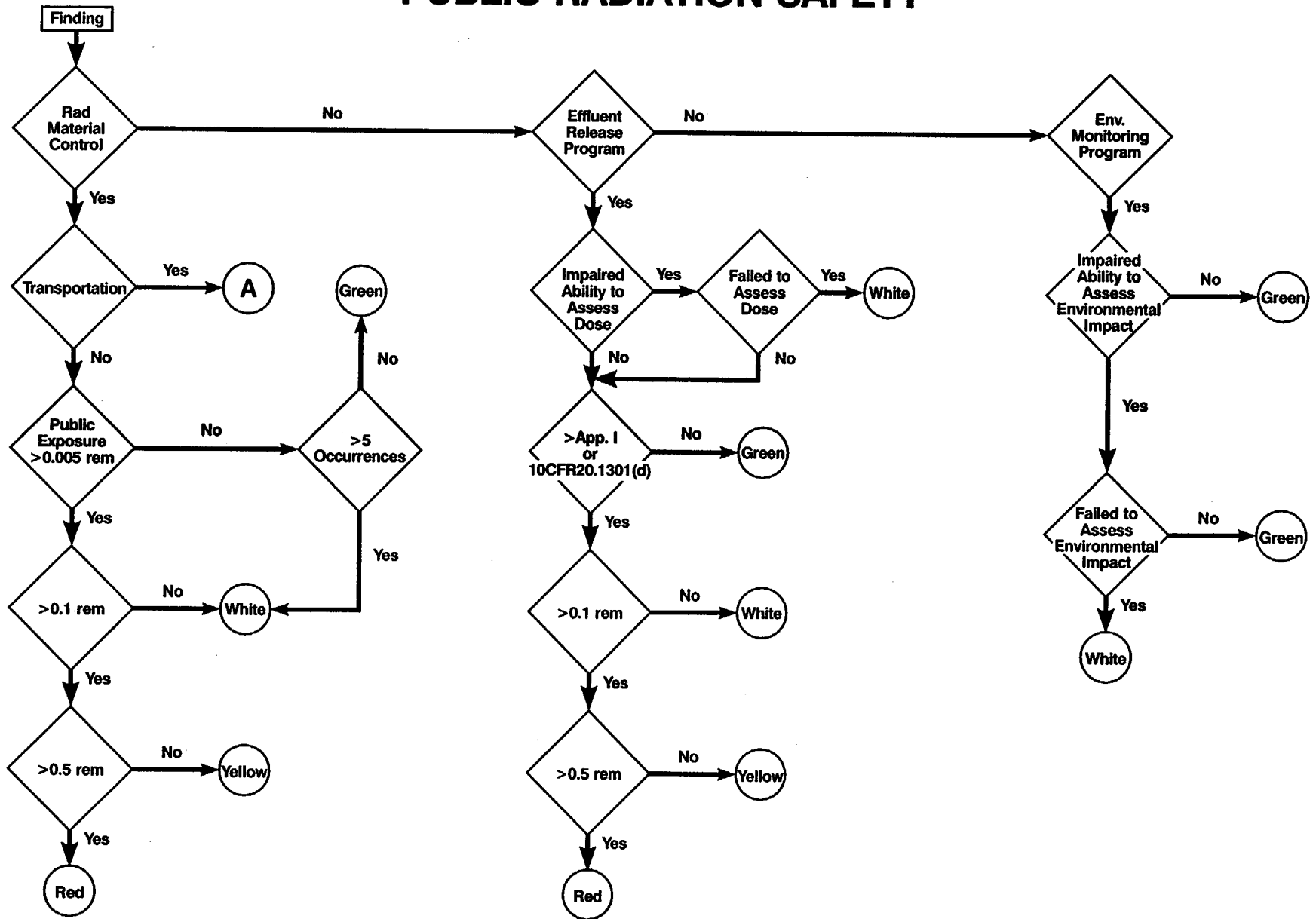
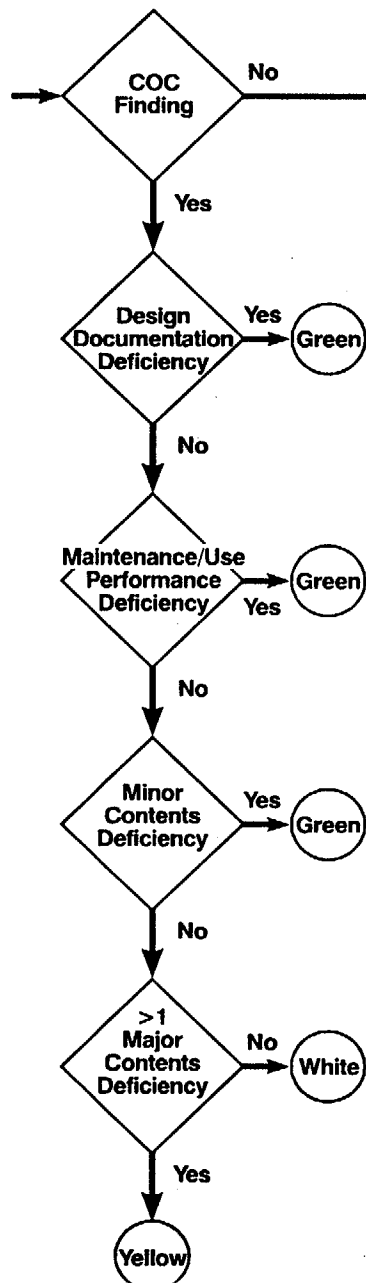


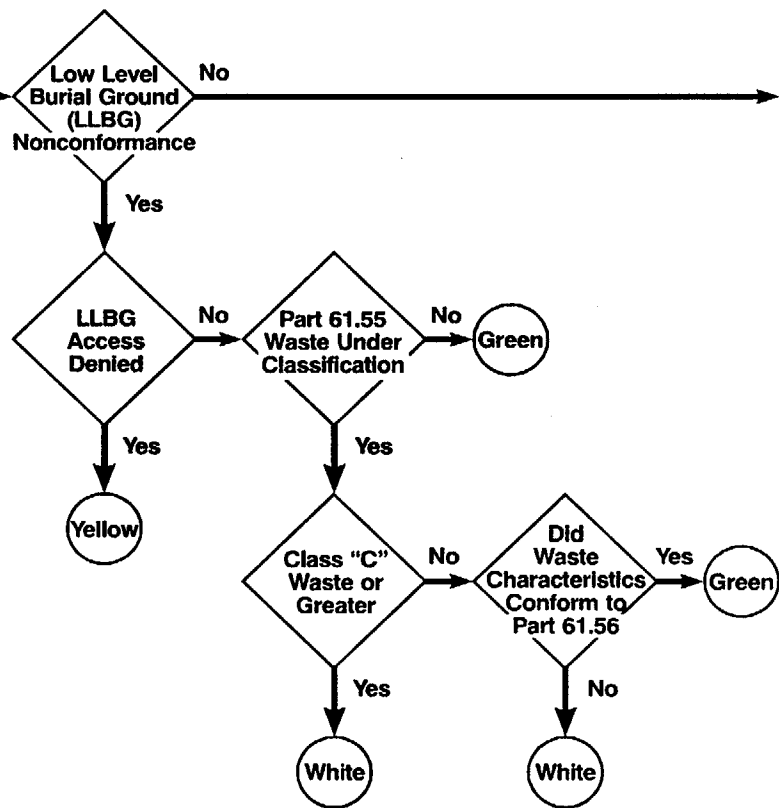
# PUBLIC RADIATION SAFETY



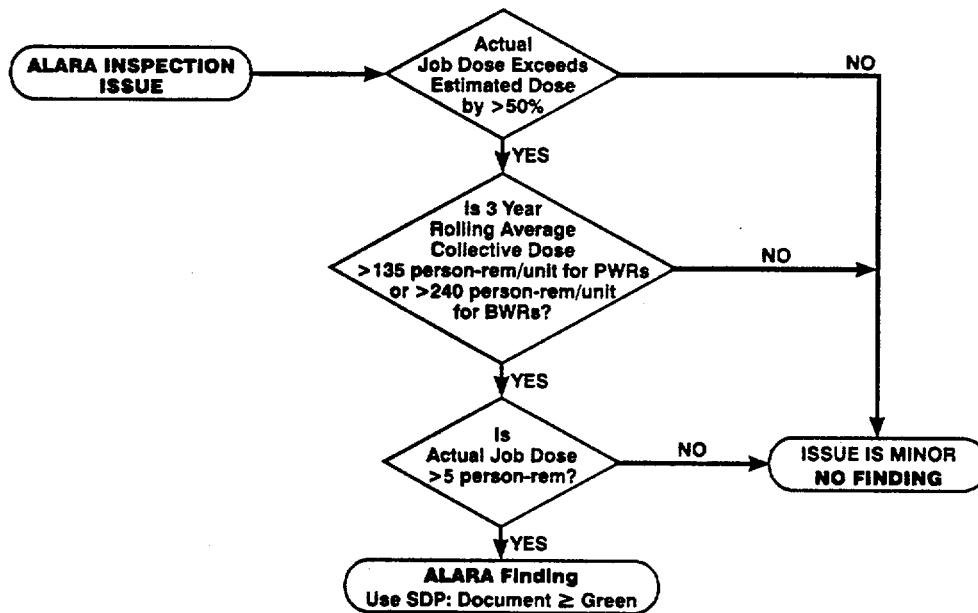
# Certificate of Compliance



# Low Level Burial Ground



# ALARA Group 2 Screening Questions



Logic for designating an ALARA inspection issue as an ALARA finding or as a minor issue.

## Occupational Radiation Safety SDP - ALARA Branch

