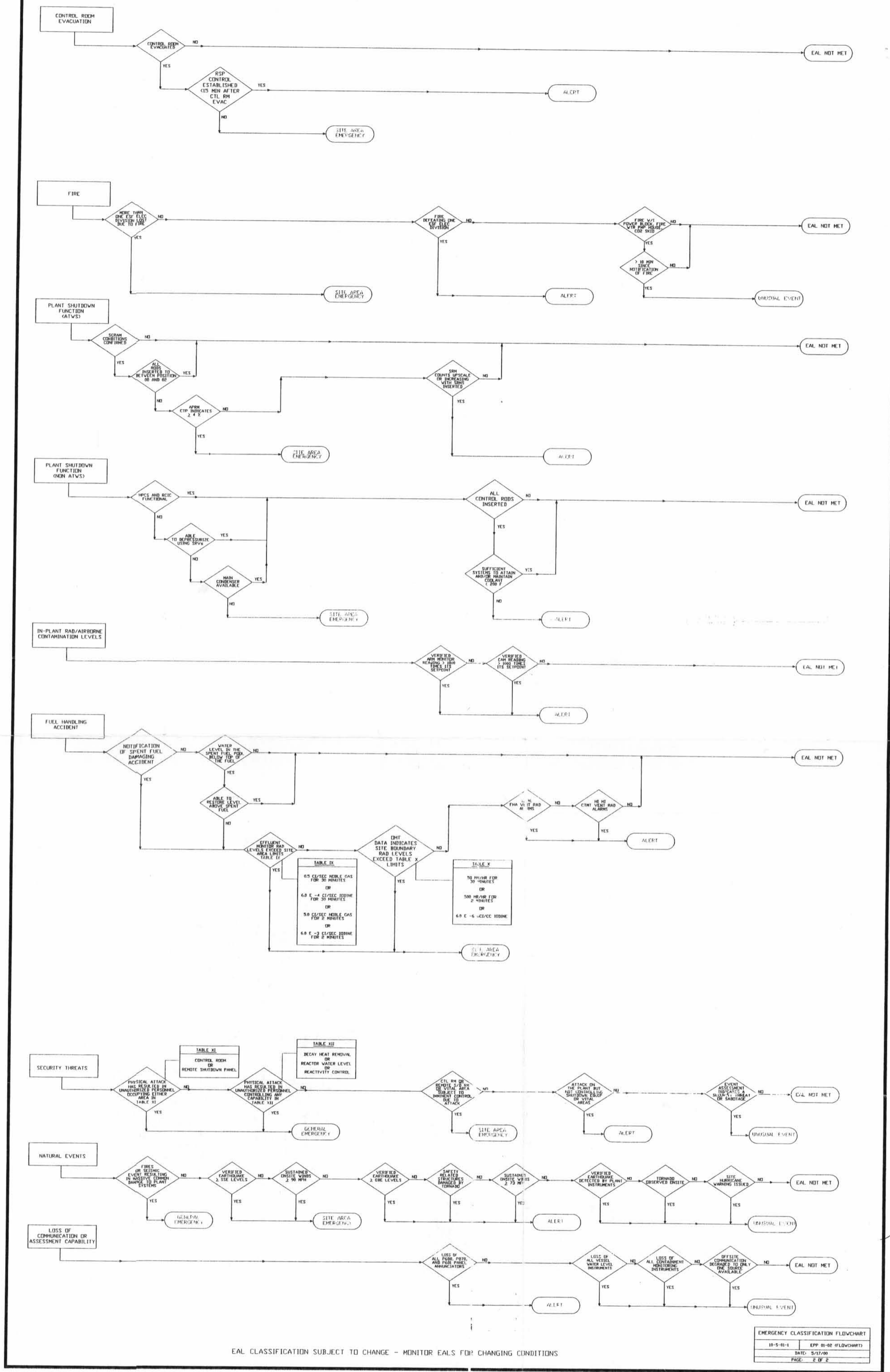


# EMERGENCY PLAN CLASSIFICATION



EAL CLASSIFICATION SUBJECT TO CHANGE - MONITOR EALS FOR CHANGING CONDITIONS

EMERGENCY CLASSIFICATION FLOWCHART  
 10-S-01-1 EPP 01-02 (FLOWCHART)  
 DATE: 5/17/00  
 PAGE: 2 OF 2

DZ