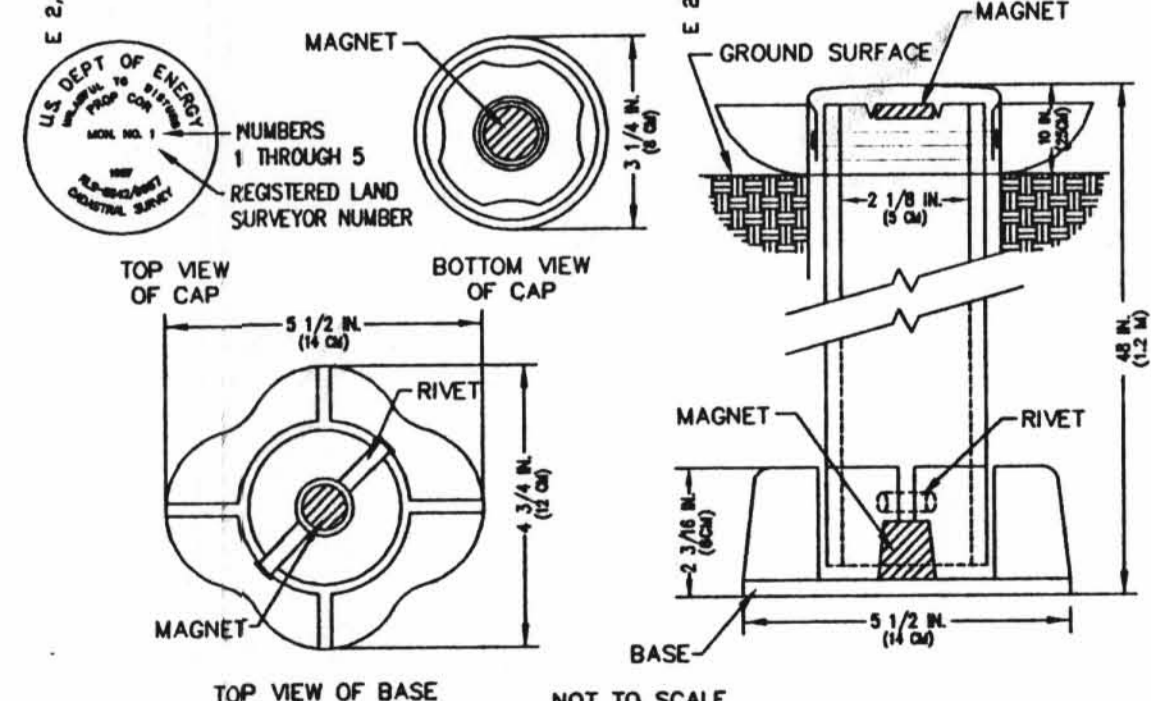


- PAVED ROAD
- DIRT ROAD
- TRAIL
- FENCE
- POLE
- BUILDING
- TREES
- DRAINAGE
- MINE LEASE
- CULVERT

- LEGEND**
- INDEX CONTOUR
  - INTERMEDIATE CONTOUR
  - DEPRESSION INDEX CONTOUR
  - DEPRESSION INTERMEDIATE
  - GRID TICK
  - GRID NUMBER
  - SPOT ELEVATION
  - SURVEYED CONTROL
  - BUSINESS LEASE
  - APPROXIMATE LIMITS OF PLACED ROCK

- WELL
- BOUNDARY MONUMENT SET
- RESTRICTED AREA BOUNDARY

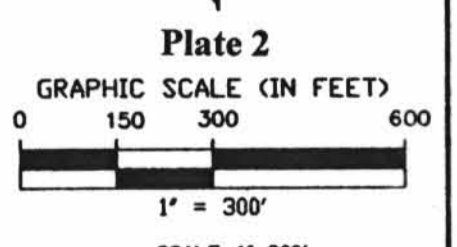


STATE PLANE COORDINATES FOR ESTABLISHED MONUMENTS

Monument #	Easting	Northing
Monument #1	334688.5764	2671566.1577
Monument #2	329014.0533	2671745.1627
Monument #3	330195.2154	2667781.9116
Monument #3A	330972.1938	2667975.5461
Monument #4	331562.9781	2667547.3874
Monument #5	334633.3467	2669802.0952

NOTE: Simpson Engineers Inc. set property corner monuments and added property lines to topography map furnished by Western Nuclear Inc.

REVISIONS		SHERWOOD PROJECT	
DATE	BY	STATE WASHINGTON	COUNTY STEVENS
		SECTION	TWP. SEC.
		TITLE:	
		AS-BUILT FINAL TOPOGRAPHY	
07/17/99	MCP	Scale	Sheet
11/20/99	MCP	Checked	of



TOP VIEW OF BASE NOT TO SCALE  
BERTNSEN FEDERAL ALUMINUM BOUNDARY MONUMENT, MODEL A-1, STANDARD LOGO CAP

D-2