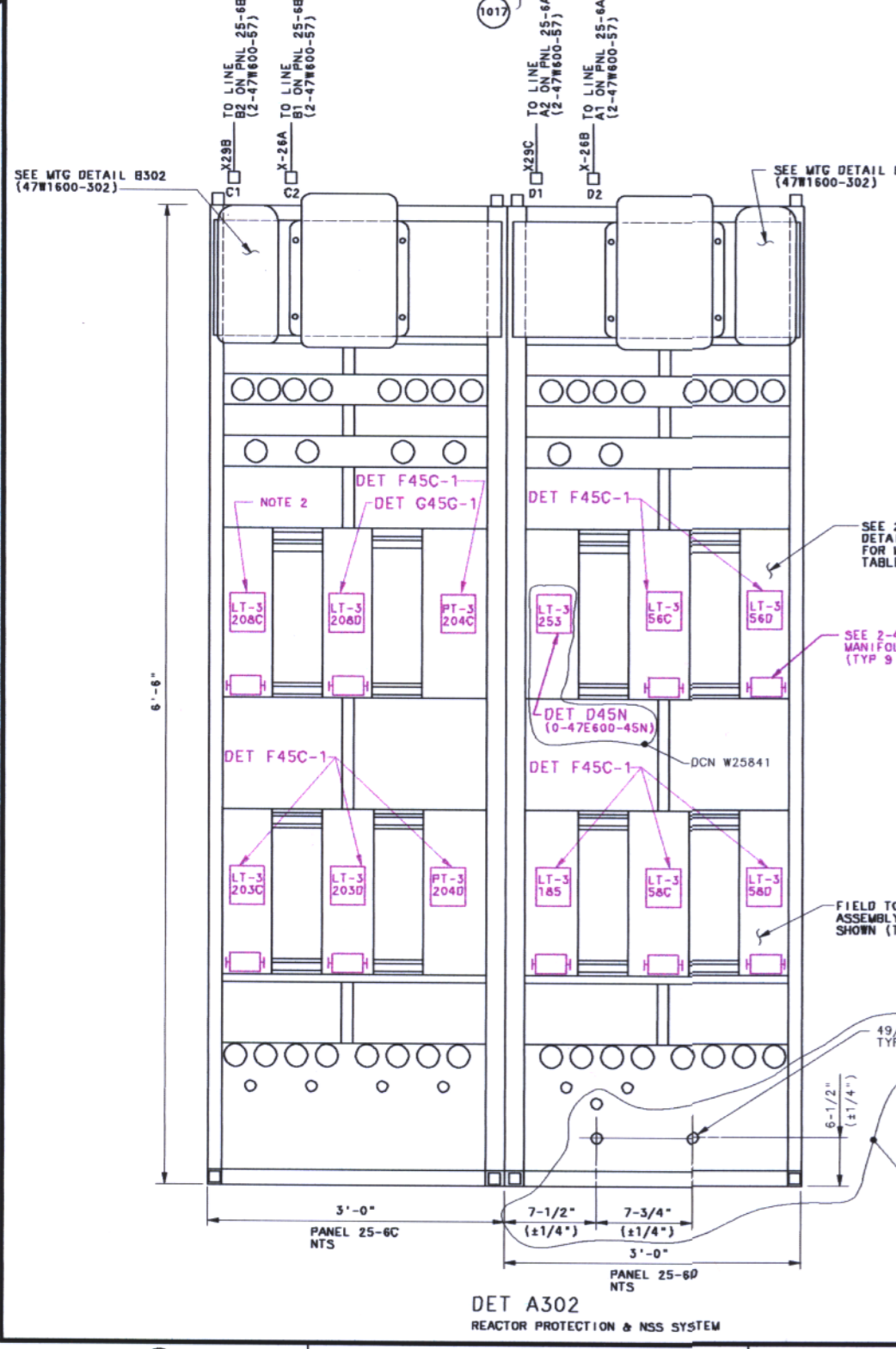
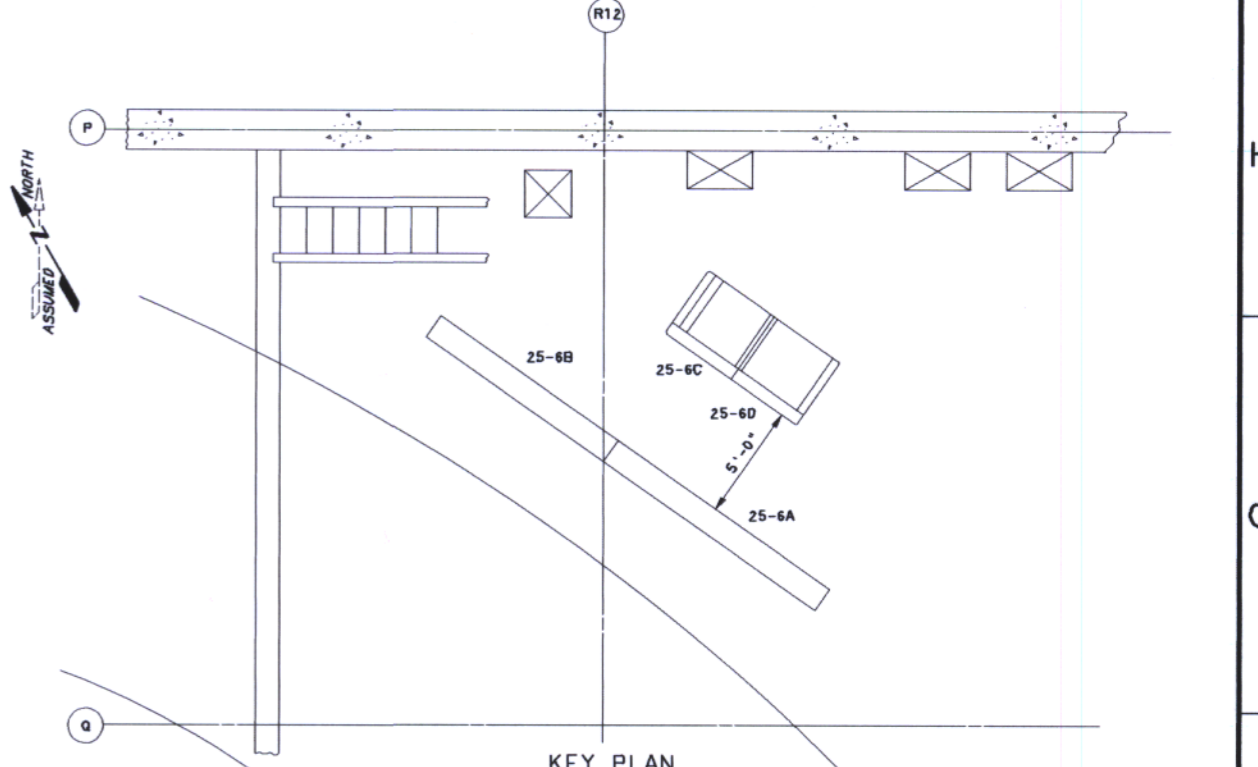


SCHMATIC PIPING DIAGRAM



DET A302 REACTOR PROTECTION & NSS SYSTEM



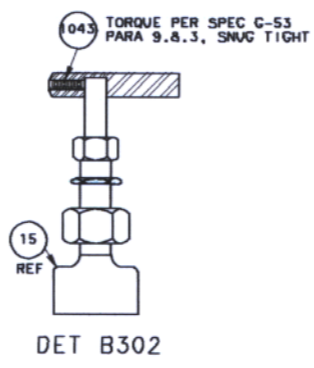
KEY PLAN

EL 593.0
UNIT 2
SCALE: 1/4"=1'-0"

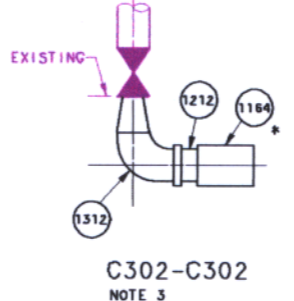
- NOTES:
- BILL OF MATERIAL MARK NUMBERS ARE TYPICAL UNLESS OTHERWISE SPECIFIED.
 - MAINTAIN 6" MINIMUM SEPARATION OF LT-3-204C AND ASSOCIATED WIRING FROM OTHER COMPONENTS AND WIRING ON PANELS 25-6C AND 25-6D.
 - NAVY BLUE PAINT ON THE SLEEVE IDENTIFIES THIS STEM PROTECTOR AS A PRESSURE CONTAINING DEVICE.
 - UNITS ON DRAWING ARE FOR REFERENCE ONLY AND ARE ABBREVIATED TO MEET SPACE CONSTRAINTS. REFER TO SMS FOR COMPLETE UNITS.
 - THE VALVE MANIFOLD IS LOCATED ABOVE OR BELOW TRANSMITTER AS CLOSE AS POSSIBLE (NOT MORE THAN 8" FROM CENTER LINE OF VALVE TO BOTTOM OF TRANSMITTER).
 - ISI SUFFIX FROM REFERENCE CONTINUATION DRAWING HAS BEEN OMITTED, AS APPLICABLE.
 - THE ISI CODE CLASS DRAWING DOES NOT NECESSARILY REPRESENT THE ACTUAL CONFIGURATION.

- GENERAL CONSTRUCTION SPECIFICATIONS:
- C-14.....PAINT AND COATINGS
 - C-27.....QUALITY CONTROL FOR CONSTRUCTION OF PIPING SYSTEMS
 - C-28.....CONSTRUCTION OF PIPING SYSTEMS
 - C-29.....PROCESS SPECIFICATIONS FOR WELDING
 - C-32.....BOLT ANCHORS SET IN HARDENED CONCRETE
 - C-50.....TORQUE AND LIMIT SWITCH SETTINGS FOR MOTOR-OPERATED VALVES
 - C-55.....BOLTING MATERIAL. (TORQUE)

- REFERENCE DRAWINGS:
- 478600 SERIES.....BILL OF MATERIAL
 - 2-478600-220A.....PANEL RACK DETAILS
 - 2-478600-115.....ISOMETRIC INSTAL. DRG
 - 2-478600-302A.....INSTRUMENT & CONTROLS



DET B302



C302-C302 NOTE 3

FOR ASME SECTION XI USE ONLY

■	ASME CODE CLASS 1 EQUIVALENT
■	NON NUCLEAR CODE CLASS

DCN #25841	VEW	N/A	N/A	N/A						
003	ADMIN	7-31-95	SDS	WAH	N/A	RLD/T	N/A	N/A	RLD	HLI
002	ADMIN	2-16-95	MPT	JK	N/A	RLD/T	N/A	N/A	RLD	HLI
001	ADMIN	2-16-95	MPT	JK	N/A	RLD/T	N/A	N/A	RLD	HLI
REV	NO.	CHANGE REF	DATE	DFT	CHKR	DSGN	RYER	APPR	APPR	ISSD
SCALE: NONE EXCEPT AS NOTED										
POWERHOUSE UNIT 2									SYSTEM NO.	
ASME SECTION XI CONTROL ROD DRIVE HYDRAULIC SYSTEM CODE CLASS BOUNDARIES										
S	BROWNS FERRY NUCLEAR PLANT TENNESSEE VALLEY AUTHORITY									Q
DESIGN			INITIAL ISSUE			ENGINEERING APPROVAL				
DRAFTER		CHECKER		ISSUED TO DEPICT ISI BOUNDARY		1 FFB				
DESIGNER		REVIEWER		JTL		2 RDC				
N/A		N/A		N/A		3 HEC				
ISSUED BY:		DATE		67 M		2-47E2600-302-1S1		R003		
H.L. WILLIAMS/C		10-24-94								
THIS DRAWING IS UNDER CONFIGURATION CONTROL										
CCD										

ISSUED BY: H.L. WILLIAMS/C

DATE: 10-24-94

67 M 2-47E2600-302-1S1 R003

D-38