

SYSTEM PRESS-TEMP DATA		
LINE MK. NO.	DESIGN PRESS (PSIG)	DESIGN TEMP (1°F)
1	150	150
2	185	150
3	265	150
4	265	100

- NOTES:
1. DELETED
  2. DELETED
  3. DELETED
  4. ALL VALVE NUMBERS ARE PRECEDED BY UNIT AND SYSTEM NUMBERS 0-50 UNLESS OTHERWISE NOTED.
  5. VALVE ALIGNMENT IS SHOWN FOR NORMAL PLANT OPERATIONS AT FULL POWER. THE HYPOCHLORITE INJECTION SYSTEM IS OPERATED BY CHEMISTRY SECTION MANUALLY ON AS NEEDED BASIS.
  6. ALL INSTRUMENT DESIGNATORS ARE PREFIXED WITH UNIT 0 AND FOLLOWED BY SYSTEM 50 EXCEPT AS NOTED (I.E. 0-21-50-151).
  7. UNITS ON DRAWINGS ARE FOR REFERENCE ONLY AND ARE ABBREVIATED TO MEET SPACE CONSTRAINTS. REFER TO MEL FOR COMPLETE UNITS.
  8. ISI SUFFIX FROM REFERENCE CONTINUATION DRAWING HAS BEEN OMITTED, AS APPLICABLE.
  9. THE ISI CODE CLASS DRAWING DOES NOT NECESSARILY REPRESENT THE ACTUAL CONFIGURATION.

REFERENCE DRAWINGS:  
1-47E859-1.....FLOW DIAGRAM EMERGENCY EQUIPMENT COOLING WATER

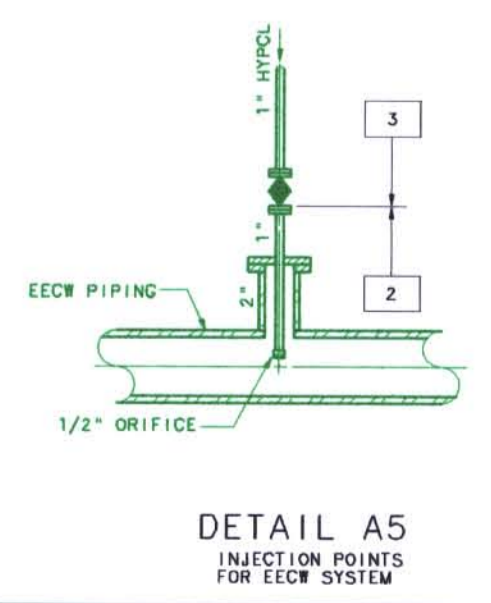
FOR ASME SECTION XI USE ONLY

■ -ASME CODE CLASS 3 EQUIVALENT  
■ -NON NUCLEAR CODE CLASS

004	ADMIN	R.D. LOOSIER	WCH	RLG	11-8-2000
REVISED PER RIMS MEMO R21 001106 001 (REF: BPPER 00-001765-000); CHANGED DESIGNATION FOR EMS TO MEL (ADMINISTRATIVE REVISION); REVISED PER RIMS MEMO R92 950201 800					
REV	CHANGE REF	PREPARER	CHECKER	APPROVED	DATE
SCALE: NONE					EXCEPT AS NOTED
POWERHOUSE UNIT 0				SYSTEM NO. 50	
ASME SECTION XI RAW WATER CHEMICAL TREATMENT SYSTEM CODE CLASS BOUNDARIES					
BROWNS FERRY NUCLEAR PLANT TENNESSEE VALLEY AUTHORITY					
DESIGN	DISCIPLINE INTERFACE		ENGINEERING APPROVAL		
DRAWN	CHECKED	1	2	N/A	
JLH	EMW	N/A	N/A	N/A	
DESIGNED	REVIEWED	3	4	N/A	
D.W. NORROOD	N/A	N/A	N/A	N/A	
KNOXVILLE	DATE	67	M	0-47E839-5-ISI R004	
	3-30-87				

ISI DRAWING WAS ISSUED FOR BASELINE DPC 0-47E839-5 REV. 013

COMPANION DRAWINGS: NONE  
RODD ISSUE BASED ON SYSTEM 50 WALKDOWN DATA DRAWING DISCREPANCY PACKAGE 050-001 COMPLETE WALKDOWN.



ISSUED BY: N/A

CAD MAINTAINED DRAWING

CCD

D-25