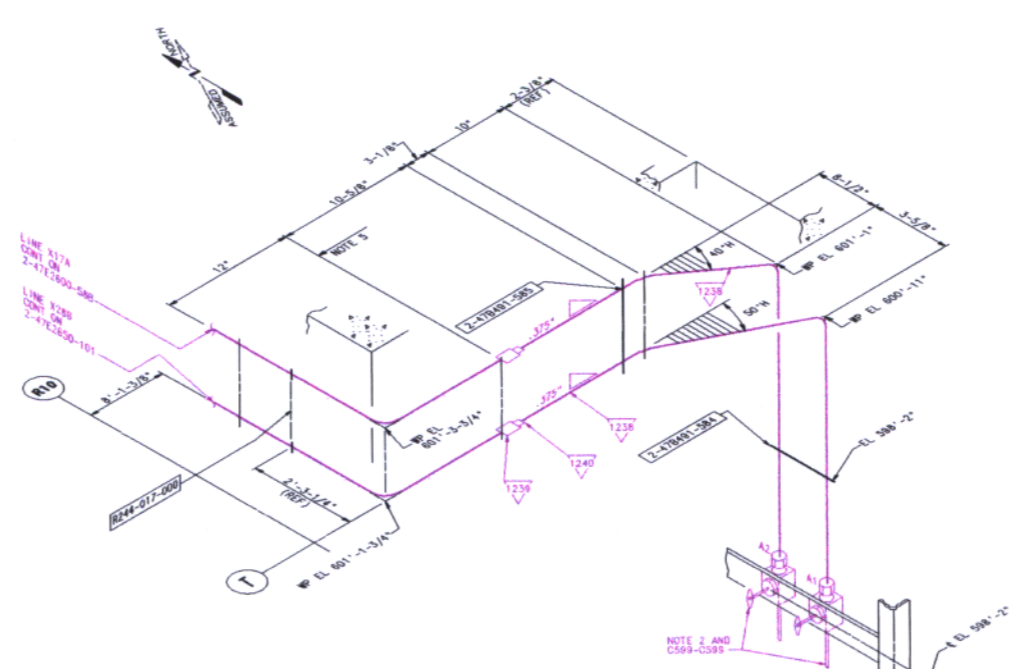
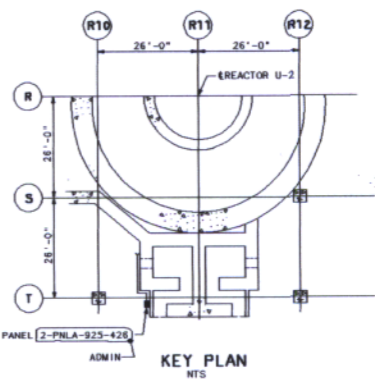


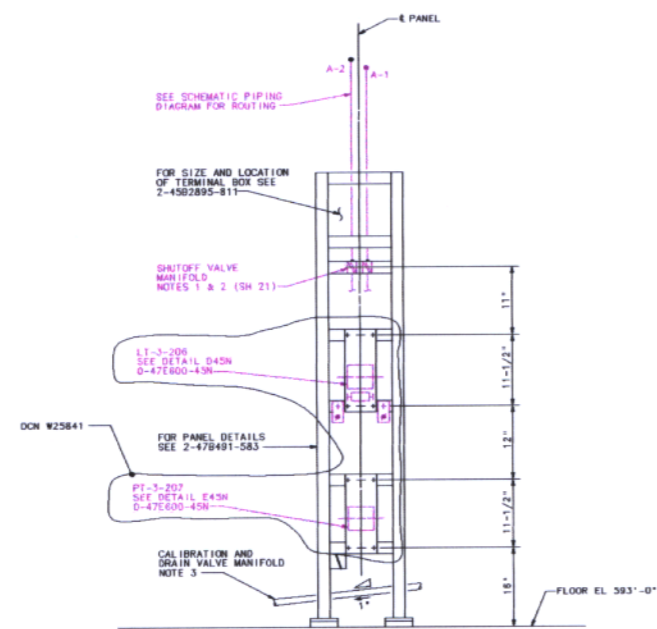
PART PLAN A599-EL 593.0
SCALE 3/4"=1'-0"



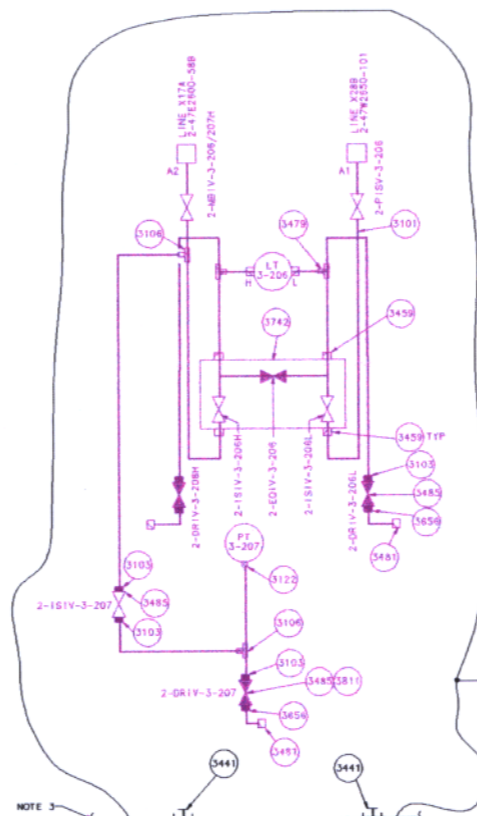
DET. B599
NTS



KEY PLAN
NTS



PANEL 2-PNA-925-426
C599-C599
NTS



SCHEMATIC PIPING DIAGRAM
NTS

- NOTES:
- FOR GENERAL NOTES AND SYMBOLS SEE 2-47E600-099
 - FIELD DIMENSIONS ON DRAWING 1'-0"=1'-0" (PT 3-20) AND ASSOCIATED TYPING SHALL BE CHECKED AS THEY ARE CHANGED HANDING AND TYPING COMPONENTS SHALL BE RECHECKED WITH SAME OR ENGINEERING APPROVED EQUIVALENT MATERIALS.
 - FIELD TO FIELD DIMENSIONS SHALL BE CALLED OUT TO CENTERLINE UNLESS OTHERWISE NOTED. DIMENSIONS SHALL BE 1/8" PER FOOT (TVA GENERAL).
 - ACCEPTABLE CONTINUOUS SLOPE SHALL BE 1/8" PER FOOT (TVA GENERAL).
 - FOR TYPICAL INSTRUMENT CONNECTIONS SEE 2-47E600-3 AND 2-47E600-10 (FOR SYSTEM 3).
 - CONNECTIONS SHALL BE 1/2" PER FOOT MINIMUM.
 - DIMENSIONS ARE 1/2"
 - ALL DIMENSIONS ARE TO CENTERLINE UNLESS OTHERWISE NOTED AND ARE APPROXIMATED TO NEAREST 0.001 INCHES. REFER TO 2-47E600-10 FOR COMPLETE UNITS.
 - ALL DIMENSIONS ARE TO CENTERLINE UNLESS OTHERWISE NOTED.
 - ALL DIMENSIONS ARE TO CENTERLINE UNLESS OTHERWISE NOTED.
 - ALL DIMENSIONS ARE TO CENTERLINE UNLESS OTHERWISE NOTED.
 - ALL DIMENSIONS ARE TO CENTERLINE UNLESS OTHERWISE NOTED.

- REFERENCE DRAWINGS:
- 2-47E600-3-1 MECHANICAL CONTROL DIAGRAM
 - 2-47E600-3-2 MECHANICAL CONTROL DIAGRAM
 - 2-47E600-3-3 MECHANICAL CONTROL DIAGRAM
 - 2-47E600-3-4 MECHANICAL CONTROL DIAGRAM
 - 2-47E600-3-5 MECHANICAL CONTROL DIAGRAM
 - 2-47E600-3-6 MECHANICAL CONTROL DIAGRAM
 - 2-47E600-3-7 MECHANICAL CONTROL DIAGRAM
 - 2-47E600-3-8 MECHANICAL CONTROL DIAGRAM
 - 2-47E600-3-9 MECHANICAL CONTROL DIAGRAM
 - 2-47E600-3-10 MECHANICAL CONTROL DIAGRAM
 - 2-47E600-3-11 MECHANICAL CONTROL DIAGRAM
 - 2-47E600-3-12 MECHANICAL CONTROL DIAGRAM
 - 2-47E600-3-13 MECHANICAL CONTROL DIAGRAM
 - 2-47E600-3-14 MECHANICAL CONTROL DIAGRAM
 - 2-47E600-3-15 MECHANICAL CONTROL DIAGRAM
 - 2-47E600-3-16 MECHANICAL CONTROL DIAGRAM
 - 2-47E600-3-17 MECHANICAL CONTROL DIAGRAM
 - 2-47E600-3-18 MECHANICAL CONTROL DIAGRAM
 - 2-47E600-3-19 MECHANICAL CONTROL DIAGRAM
 - 2-47E600-3-20 MECHANICAL CONTROL DIAGRAM
 - 2-47E600-3-21 MECHANICAL CONTROL DIAGRAM
 - 2-47E600-3-22 MECHANICAL CONTROL DIAGRAM
 - 2-47E600-3-23 MECHANICAL CONTROL DIAGRAM
 - 2-47E600-3-24 MECHANICAL CONTROL DIAGRAM
 - 2-47E600-3-25 MECHANICAL CONTROL DIAGRAM
 - 2-47E600-3-26 MECHANICAL CONTROL DIAGRAM
 - 2-47E600-3-27 MECHANICAL CONTROL DIAGRAM
 - 2-47E600-3-28 MECHANICAL CONTROL DIAGRAM
 - 2-47E600-3-29 MECHANICAL CONTROL DIAGRAM
 - 2-47E600-3-30 MECHANICAL CONTROL DIAGRAM
 - 2-47E600-3-31 MECHANICAL CONTROL DIAGRAM
 - 2-47E600-3-32 MECHANICAL CONTROL DIAGRAM
 - 2-47E600-3-33 MECHANICAL CONTROL DIAGRAM
 - 2-47E600-3-34 MECHANICAL CONTROL DIAGRAM
 - 2-47E600-3-35 MECHANICAL CONTROL DIAGRAM
 - 2-47E600-3-36 MECHANICAL CONTROL DIAGRAM
 - 2-47E600-3-37 MECHANICAL CONTROL DIAGRAM
 - 2-47E600-3-38 MECHANICAL CONTROL DIAGRAM
 - 2-47E600-3-39 MECHANICAL CONTROL DIAGRAM
 - 2-47E600-3-40 MECHANICAL CONTROL DIAGRAM
 - 2-47E600-3-41 MECHANICAL CONTROL DIAGRAM
 - 2-47E600-3-42 MECHANICAL CONTROL DIAGRAM
 - 2-47E600-3-43 MECHANICAL CONTROL DIAGRAM
 - 2-47E600-3-44 MECHANICAL CONTROL DIAGRAM
 - 2-47E600-3-45 MECHANICAL CONTROL DIAGRAM
 - 2-47E600-3-46 MECHANICAL CONTROL DIAGRAM
 - 2-47E600-3-47 MECHANICAL CONTROL DIAGRAM
 - 2-47E600-3-48 MECHANICAL CONTROL DIAGRAM
 - 2-47E600-3-49 MECHANICAL CONTROL DIAGRAM
 - 2-47E600-3-50 MECHANICAL CONTROL DIAGRAM
 - 2-47E600-3-51 MECHANICAL CONTROL DIAGRAM
 - 2-47E600-3-52 MECHANICAL CONTROL DIAGRAM
 - 2-47E600-3-53 MECHANICAL CONTROL DIAGRAM
 - 2-47E600-3-54 MECHANICAL CONTROL DIAGRAM
 - 2-47E600-3-55 MECHANICAL CONTROL DIAGRAM
 - 2-47E600-3-56 MECHANICAL CONTROL DIAGRAM
 - 2-47E600-3-57 MECHANICAL CONTROL DIAGRAM
 - 2-47E600-3-58 MECHANICAL CONTROL DIAGRAM
 - 2-47E600-3-59 MECHANICAL CONTROL DIAGRAM
 - 2-47E600-3-60 MECHANICAL CONTROL DIAGRAM
 - 2-47E600-3-61 MECHANICAL CONTROL DIAGRAM
 - 2-47E600-3-62 MECHANICAL CONTROL DIAGRAM
 - 2-47E600-3-63 MECHANICAL CONTROL DIAGRAM
 - 2-47E600-3-64 MECHANICAL CONTROL DIAGRAM
 - 2-47E600-3-65 MECHANICAL CONTROL DIAGRAM
 - 2-47E600-3-66 MECHANICAL CONTROL DIAGRAM
 - 2-47E600-3-67 MECHANICAL CONTROL DIAGRAM
 - 2-47E600-3-68 MECHANICAL CONTROL DIAGRAM
 - 2-47E600-3-69 MECHANICAL CONTROL DIAGRAM
 - 2-47E600-3-70 MECHANICAL CONTROL DIAGRAM
 - 2-47E600-3-71 MECHANICAL CONTROL DIAGRAM
 - 2-47E600-3-72 MECHANICAL CONTROL DIAGRAM
 - 2-47E600-3-73 MECHANICAL CONTROL DIAGRAM
 - 2-47E600-3-74 MECHANICAL CONTROL DIAGRAM
 - 2-47E600-3-75 MECHANICAL CONTROL DIAGRAM
 - 2-47E600-3-76 MECHANICAL CONTROL DIAGRAM
 - 2-47E600-3-77 MECHANICAL CONTROL DIAGRAM
 - 2-47E600-3-78 MECHANICAL CONTROL DIAGRAM
 - 2-47E600-3-79 MECHANICAL CONTROL DIAGRAM
 - 2-47E600-3-80 MECHANICAL CONTROL DIAGRAM
 - 2-47E600-3-81 MECHANICAL CONTROL DIAGRAM
 - 2-47E600-3-82 MECHANICAL CONTROL DIAGRAM
 - 2-47E600-3-83 MECHANICAL CONTROL DIAGRAM
 - 2-47E600-3-84 MECHANICAL CONTROL DIAGRAM
 - 2-47E600-3-85 MECHANICAL CONTROL DIAGRAM
 - 2-47E600-3-86 MECHANICAL CONTROL DIAGRAM
 - 2-47E600-3-87 MECHANICAL CONTROL DIAGRAM
 - 2-47E600-3-88 MECHANICAL CONTROL DIAGRAM
 - 2-47E600-3-89 MECHANICAL CONTROL DIAGRAM
 - 2-47E600-3-90 MECHANICAL CONTROL DIAGRAM
 - 2-47E600-3-91 MECHANICAL CONTROL DIAGRAM
 - 2-47E600-3-92 MECHANICAL CONTROL DIAGRAM
 - 2-47E600-3-93 MECHANICAL CONTROL DIAGRAM
 - 2-47E600-3-94 MECHANICAL CONTROL DIAGRAM
 - 2-47E600-3-95 MECHANICAL CONTROL DIAGRAM
 - 2-47E600-3-96 MECHANICAL CONTROL DIAGRAM
 - 2-47E600-3-97 MECHANICAL CONTROL DIAGRAM
 - 2-47E600-3-98 MECHANICAL CONTROL DIAGRAM
 - 2-47E600-3-99 MECHANICAL CONTROL DIAGRAM
 - 2-47E600-3-100 MECHANICAL CONTROL DIAGRAM

ENGINEERING REQUIREMENTS SPECIFICATIONS:
2-47E600-001 INSTRUMENT AND INSTRUMENT LINE
INSTALLATION AND INSPECTION

FOR ASME SECTION XI
USE ONLY

- ASME CODE CLASS 1 EQUIVALENT
- NON NUCLEAR CODE CLASS

DCN W2581	MPY	N/A	N/A	N/A	N/A
REPLACED LT-3-206, PT 3-207 FOR DCN W2581 (REFERENCE DCN W2581-074-002, DCN W2581-074-003) AND NOTE 4. REVISED UNITS TO CONFORM TO NOTE 4. FOR INSTRUMENT AND INSTRUMENT LINE (INST/INSTRUMENT LINE) DOCUMENTED DCN W2581-074-002, DCN W2581-074-003.					
ADMIN	2-16-95	MAC	JK	N/A	HELD/T
REVISED CONFIGURATIONS AND ADDED SUPPORT NUMBER PER RINGS MEMO (REV. 0001 TO 001)					
SCALE: NONE					SYSTEM NO.
UNIT 2					
ASME SECTION XI MECHANICAL I & C CODE CLASS BOUNDARIES					
S BROWNS FERRY NUCLEAR PLANT			Q		
TENNESSEE VALLEY AUTHORITY					
DESIGNER	CHECKER	INITIAL ISSUE	ENGINEERING APPROVAL		
ISSUED BY: N/A	DATE: 10-24-84	67 M	2-47E600-599-1S1	RO02	
THIS DRAWING IS UNDER CONFIGURATION CONTROL				CCD	

D-9