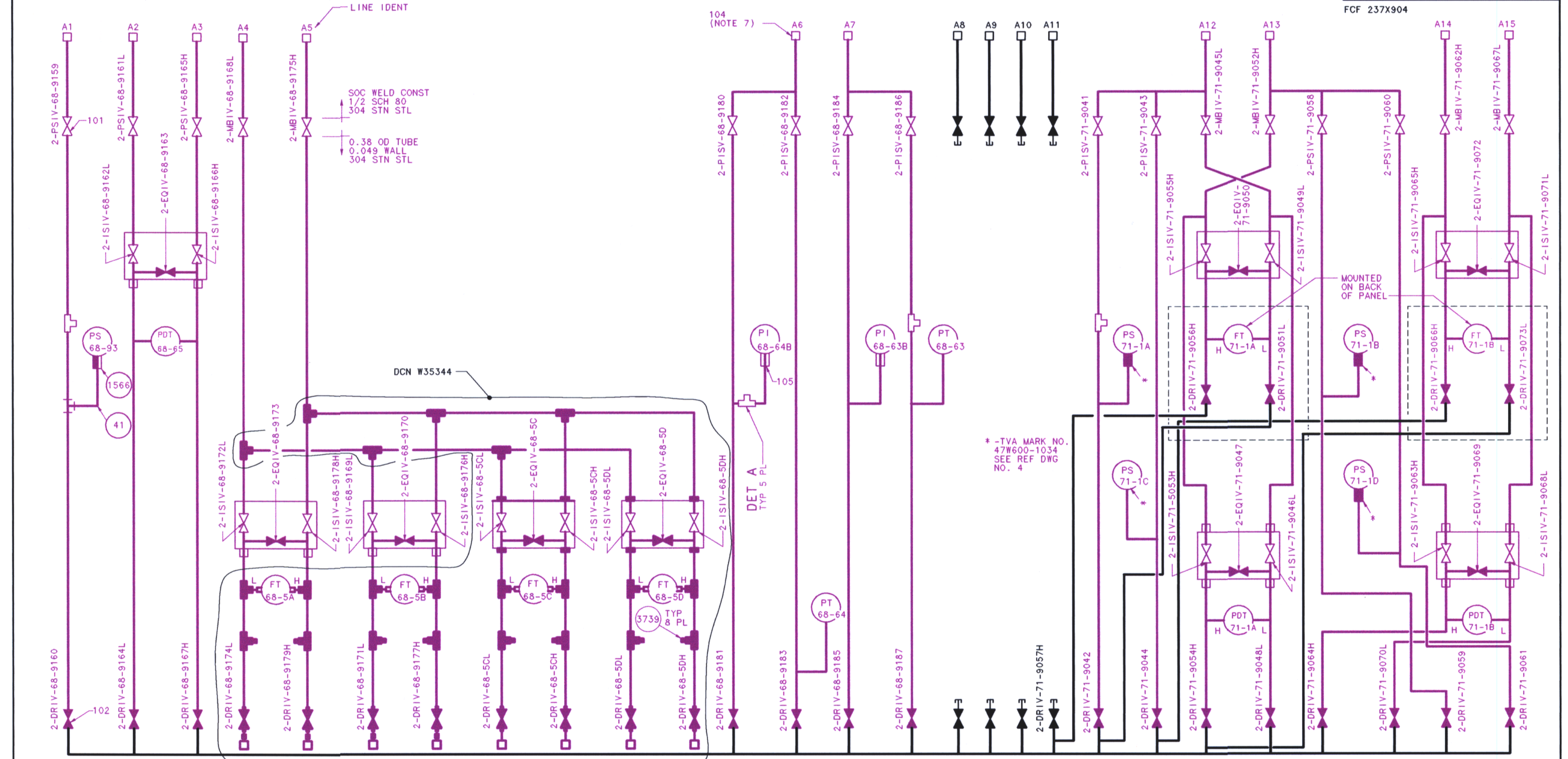


2-164C5981-4-ISI

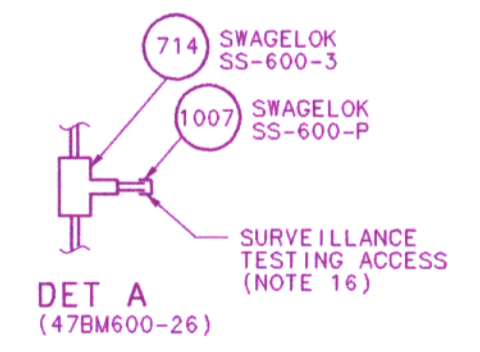
GENERAL ELECTRIC  
DRAWING NO. 2-164C5981-4-ISI

TITLE:  
**RACK 25-7**  
FIRST MADE FOR BROWNS FERRY UNIT 2 (RECIRC SYS)  
PURCHASED PART DRAWING  
FCF 237X904



PIPING DIAGRAM - SECTION A  
(FRONT VIEW)  
**FOR ASME SECTION XI  
USE ONLY**

-ASME CODE CLASS 1 EQUIVALENT  
 -NON NUCLEAR CODE CLASS



NOTES:  
 1. ISI SUFFIX FROM REFERENCE CONTINUATION DRAWING HAS BEEN OMITTED, AS APPLICABLE.  
 2. THE ISI CODE CLASS DRAWING DOES NOT NECESSARILY REPRESENT THE ACTUAL CONFIGURATION.

ISI DRAWING WAS ISSUED FOR  
 BASELINE DWG: 2-164C5981-4  
 REV: 003

PROJECT: BFPN DISCIPLINE: ELEC  
 CONTRACT: 90244 UNIT: 2  
 DESC: RECIRC SYS PANEL 25-7  
 DWG/DOC NO.: 2-164C5981-4-ISI  
 REV: 001  
 DATE: ECH/FCR FILE:

001	DCN W35344	MLP			
ADMIN					
DCA W35344-543, -545, -546-000, DCN F40494, DCN W35344, REMOVED DRAWING CLASSIFICATION AND QA CODE (ADMINISTRATIVE REVISION)					
REV	CHANGE REF	PREPARER	CHECKER	APPROVED	DATE
REVISIONS BY TVA					
MADE BY	APPROVAL	REQ	BY OR DEPT	2-164C5981-4-ISI	
ISSUED	BY	NOVEMBER	SMW JOSE, CALIF.	CCD	
THIS DRAWING IS UNDER CONFIGURATION CONTROL					

D-3