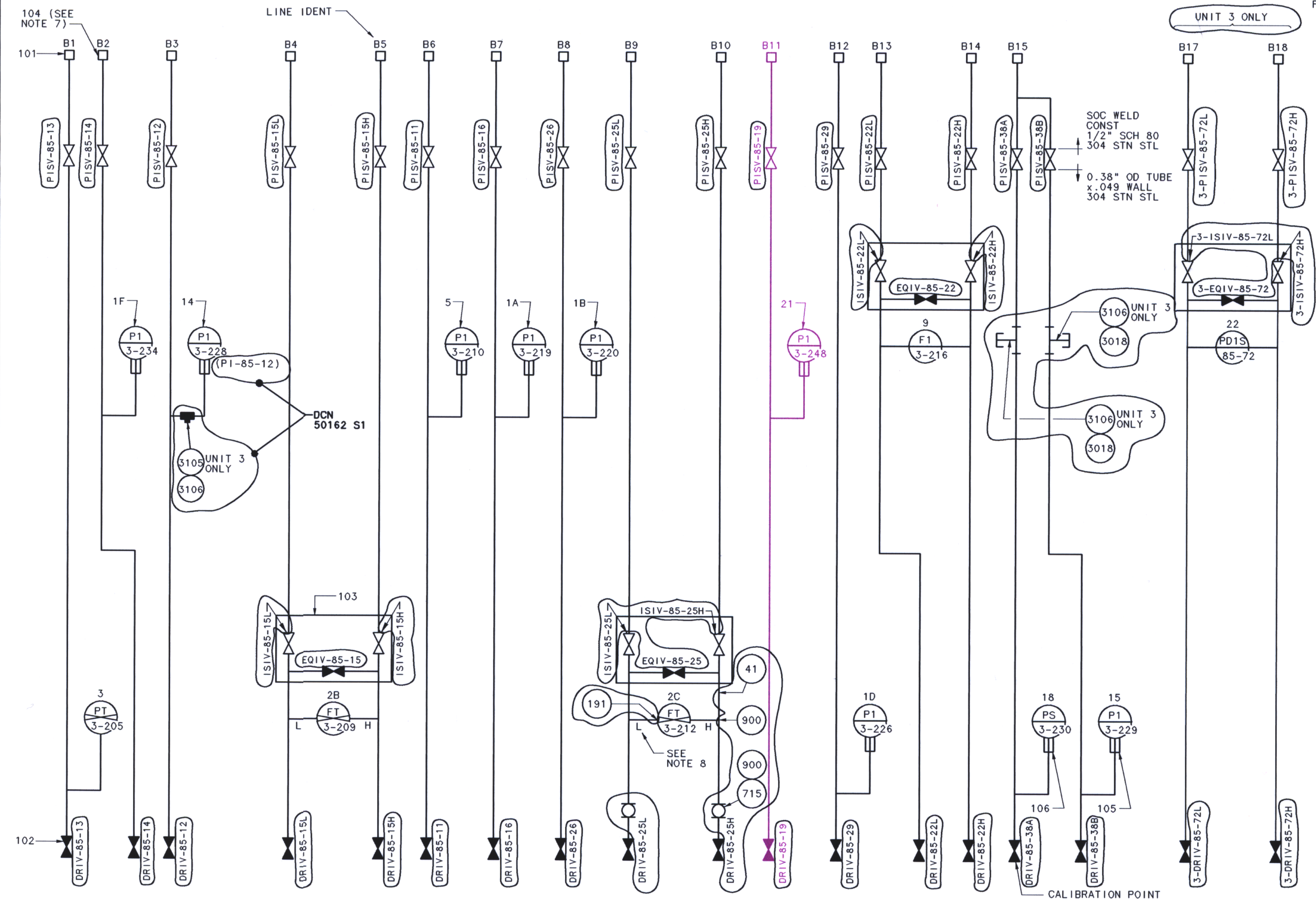


TITLE: ARRGT
RACK 25-18
 FIRST MADE FOR BROWNS FETTY UNIT 1, 2 & 3 (CCR HYD SYS)
 PURCHASE PART DRAWING
 FCF 237x906



PIPING DIAGRAM - SECTION B

- NOTES:
1. ISI SUFFIX FROM REFERENCE CONTINUATION DWG HAS BEEN OMITTED, AS APPLICABLE.
 2. THE ISI CODE CLASS DRAWING DOES NOT NECESSARILY REPRESENT THE ACTUAL PLANT CONFIGURATION.

ALL REVISION CIRCLES ARE RIMS MEMO R92 950201 800 EXCEPT AS NOTED

FOR ASME SECTION XI USE ONLY

- -ASME CODE CLASS 1 EQUIVALENT
- -NON NUCLEAR CODE CLASS

ISI DRAWING WAS ISSUED FOR
 BASELINE DWG: 0-117C2556-5
 REV: 005
 PROJECT_BFPN_DISCIPLINE_MECH
 CONTRACT_80744/91750_UNIT_1,2&3
 DESC_ARRGT RACK 25-18
 DWG/DOC NO. 0-117C2556-5-1S1
 REV_001
 DATE 5-16-2000 ECH/FCR FILE

001	DCN 50162 S1	ADMIN	RD	RLD	WCH	5-16-2000
REVISED PER DCA 50162-001-000; REVISED PER RIMS MEMO R92 950201 800 (ADMINISTRATIVE REVISION)						
REV	CHANGE REF	PREPARED	CHECKER	APPROVED	DATE	
REVISIONS BY TVA						
MADE BY *	APPROVALS	APED	BY OR DEPT	0-117C2556-5-1S1		
ISSUED *	SAN JOSE, CALIF.		LOCATION			
CCD						

CAD MAINTAINED DRAWING

D-2