

ENCLOSURE 1

ATTACHMENT D

BFN Unit 2

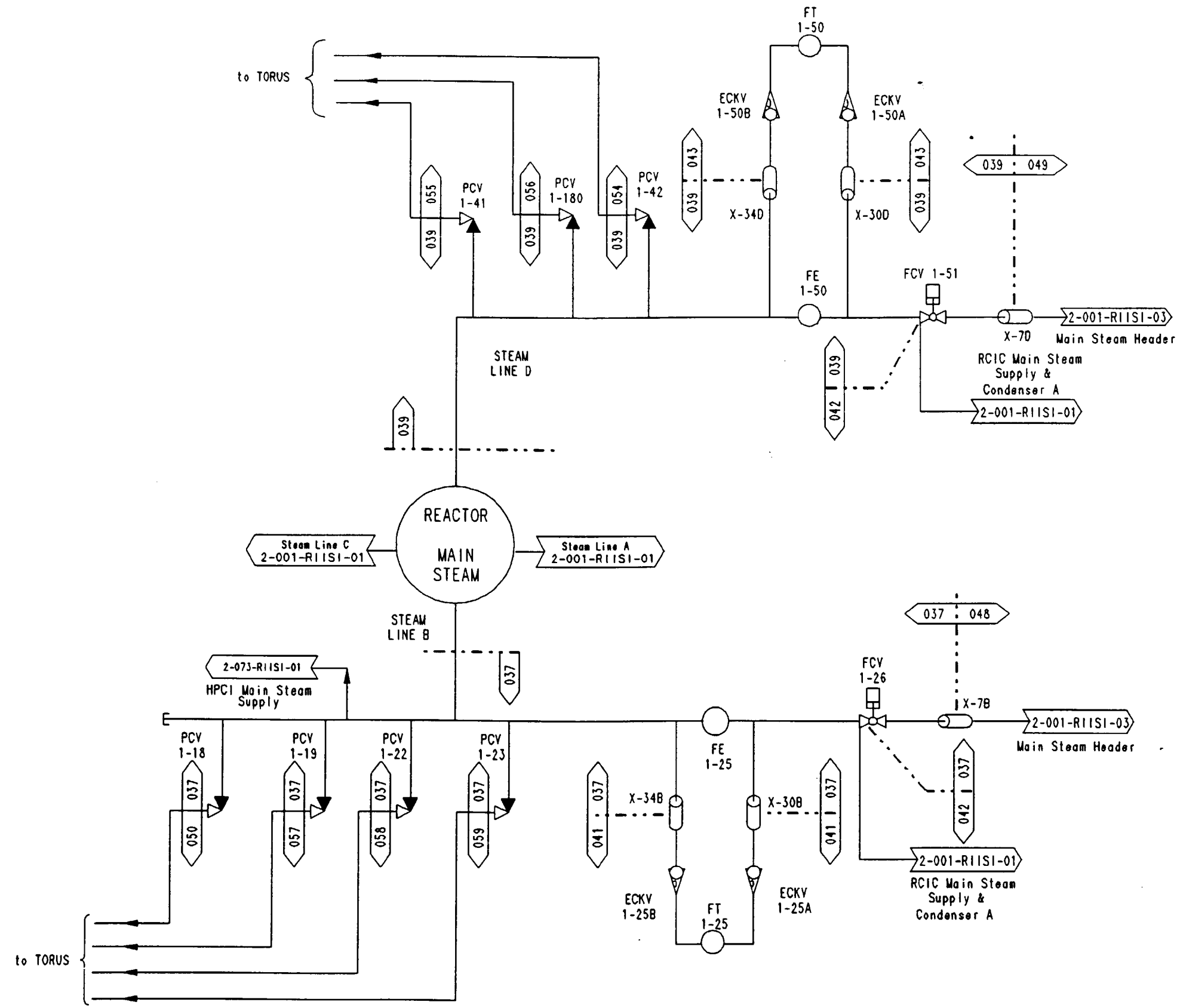
**ASME Section XI
ISI Program Plan**

Third Interval

**Risk-Informed ISI Segment
Boundary Drawings**

BFN Unit 2, Risk-Informed ISI
Segment Boundary Drawings

| | |
|-------------------------|-------------------------|
| 2-001-RIISI-01, Sheet 1 | 2-071-RIISI-03, Sheet 1 |
| 2-001-RIISI-02, Sheet 1 | 2-073-RIISI-01, Sheet 1 |
| 2-001-RIISI-03, Sheet 1 | 2-073-RIISI-02, Sheet 1 |
| 2-001-RIISI-04, Sheet 1 | 2-074-RIISI-01, Sheet 1 |
| 2-002-RIISI-01, Sheet 1 | 2-074-RIISI-02, Sheet 1 |
| 2-002-RIISI-02, Sheet 1 | 2-074-RIISI-03, Sheet 1 |
| 2-002-RIISI-03, Sheet 1 | 2-074-RIISI-04, Sheet 1 |
| 2-002-RIISI-04, Sheet 1 | 2-074-RIISI-05, Sheet 1 |
| 2-003-RIISI-01, Sheet 1 | 2-075-RIISI-01, Sheet 1 |
| 2-003-RIISI-02, Sheet 1 | 2-075-RIISI-02, Sheet 1 |
| 2-003-RIISI-03, Sheet 1 | 2-078-RIISI-01, Sheet 1 |
| 0-023-RIISI-01, Sheet 1 | 2-085-RIISI-01, Sheet 1 |
| 1-023-RIISI-01, Sheet 1 | 2-085-RIISI-02, Sheet 1 |
| 2-023-RIISI-01, Sheet 1 | 2-085-RIISI-03, Sheet 1 |
| 3-023-RIISI-01, Sheet 1 | 2-085-RIISI-04, Sheet 1 |
| 0-024-RIISI-01, Sheet 1 | |
| 1-024-RIISI-01, Sheet 1 | |
| 2-024-RIISI-01, Sheet 1 | |
| 3-024-RIISI-01, Sheet 1 | |
| 3-024-RIISI-02, Sheet 1 | |
| 3-024-RIISI-03, Sheet 1 | |
| 2-027-RIISI-01, Sheet 1 | |
| 2-063-RIISI-01, Sheet 1 | |
| 0-067-RIISI-01, Sheet 1 | |
| 0-067-RIISI-02, Sheet 1 | |
| 2-067-RIISI-01, Sheet 1 | |
| 2-067-RIISI-02, Sheet 1 | |
| 2-067-RIISI-03, Sheet 1 | |
| 2-068-RIISI-01, Sheet 1 | |
| 2-069-RIISI-01, Sheet 1 | |
| 2-069-RIISI-02, Sheet 1 | |
| 2-070-RIISI-01, Sheet 1 | |
| 2-070-RIISI-02, Sheet 1 | |
| 2-070-RIISI-03, Sheet 1 | |
| 2-070-RIISI-04, Sheet 1 | |
| 2-071-RIISI-01, Sheet 1 | |
| 2-071-RIISI-02, Sheet 1 | |

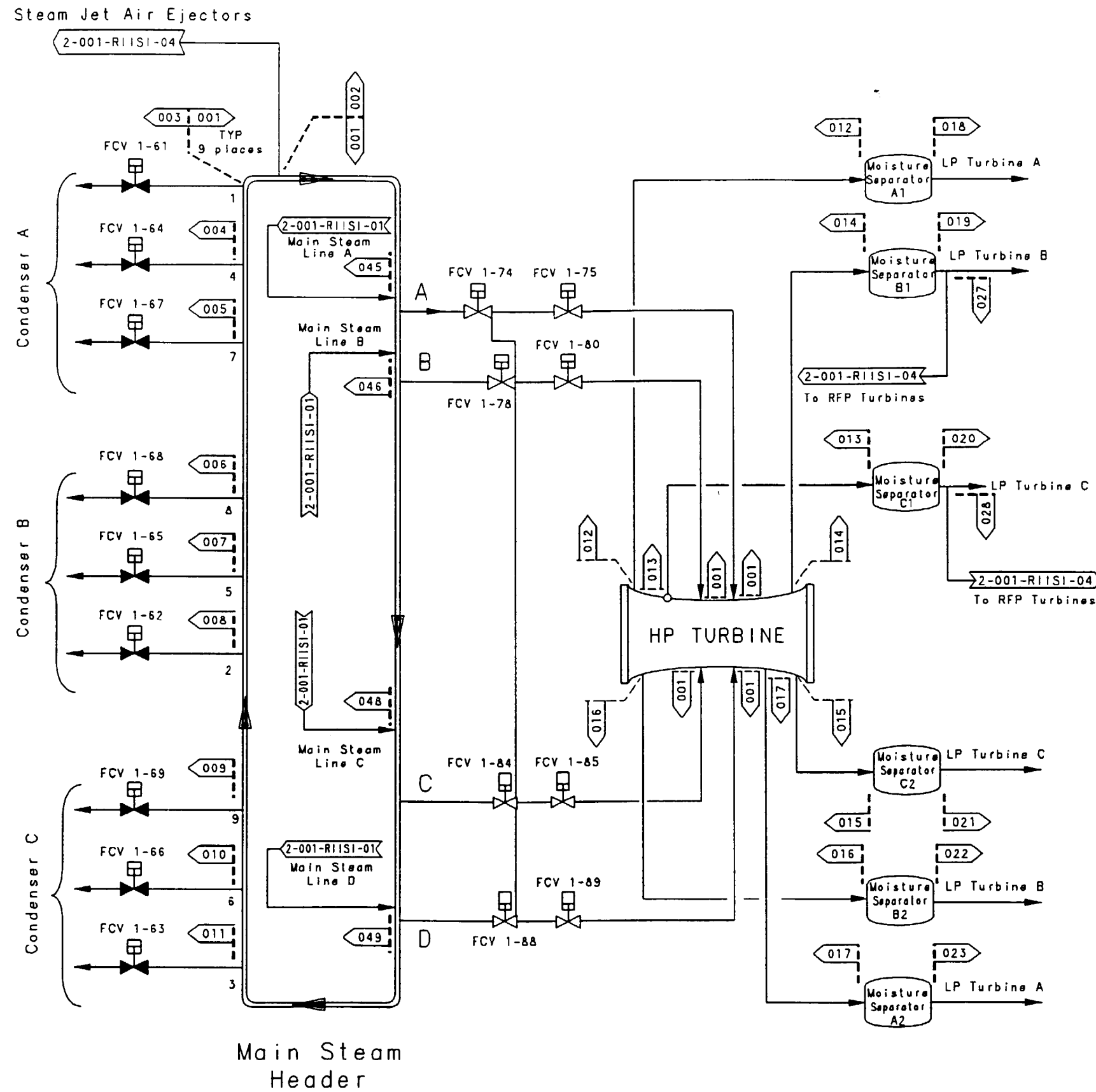


Information Only

- NOTES:
1. Risk Informed Segment Boundary numbers are prefixed with 2-001- unless otherwise noted.
 2. This sketch is for information only. It may not represent the current plant configuration.

| REV | CHANGE REF | PREPARER | CHECKER | APPROVED | DATE |
|--|------------|-----------|---------|----------------|------|
| TENNESSEE VALLEY AUTHORITY | | | | | |
| BROWNS FERRY NUCLEAR PLANT UNIT 2 RISK INFORMED SEGMENT BOUNDARY MAIN STEAM | | | | | |
| DRAWN: RG PHILLIPS | | DATE: | | SCALE: NTS | |
| CHECKED: RD DOUGLASS | | APPROVED: | | SHEET 01 OF 01 | |
| SUBMITTED: N/A | | HEH | | 2-001-RIISI-02 | |
| CAD MAINTAINED DRAWING | | | | | 000 |
| CCD | | | | | |

Information Only

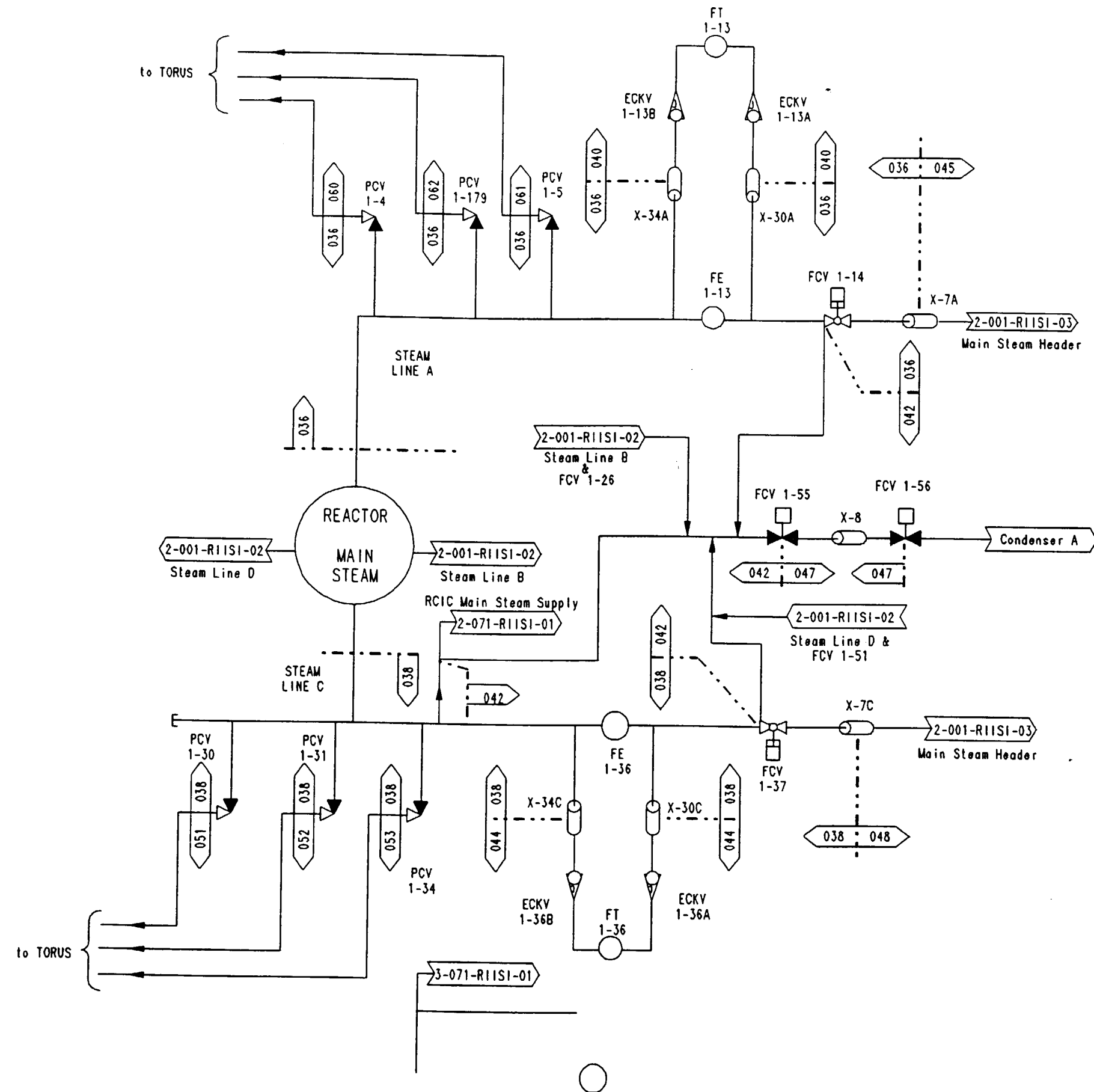


NOTES:

1. Risk Informed Segment Boundary numbers are prefixed with 2-001- unless otherwise noted.
2. This sketch is for information only. It may not represent the current plant configuration.

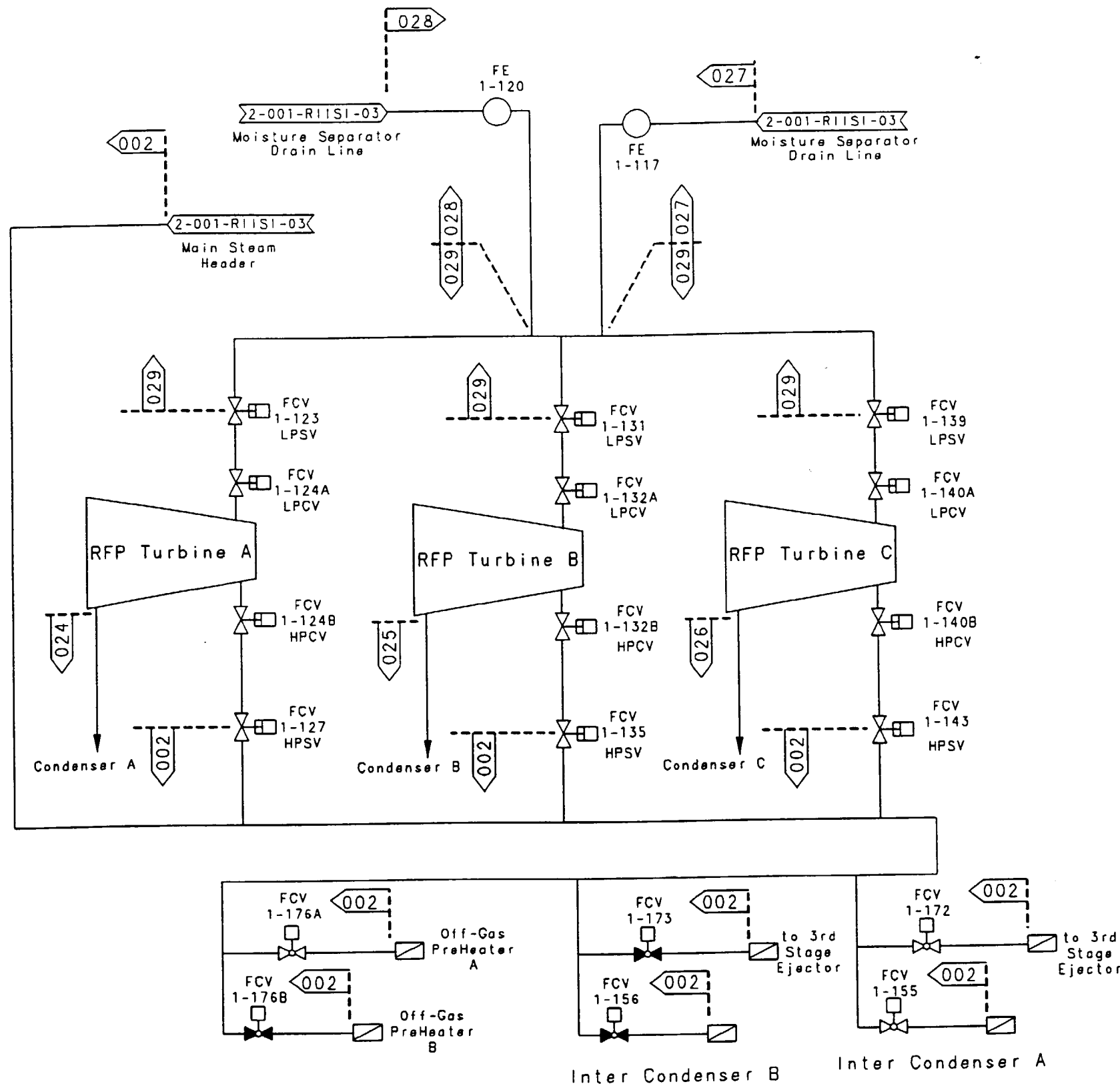
| REV | CHANGE REF | PREPARER | CHECKER | APPROVED | DATE |
|--|------------|---------------|---------|----------------|-------|
| TENNESSEE VALLEY AUTHORITY | | | | | |
| BROWNS FERRY NUCLEAR PLANT UNIT 2 RISK INFORMED SEGMENT BOUNDARY MAIN STEAM | | | | | |
| DRAWN: RG PHILLIPS | | DATE: | | SCALE: NTS | CADAM |
| CHECKED: RD DOUGLASS | | APPROVED: MEH | | SHEET 01 OF 01 | REV |
| SUBMITTED: N/A | | | | 2-001-RIISI-03 | 000 |
| CAD MAINTAINED DRAWING | | | | | CCD |

Information Only



- NOTES:**
1. Risk Informed Segment Boundary numbers are prefixed with 2-001- unless otherwise noted.
 2. This sketch is for information only. It may not represent the current plant configuration.

| REV | CHANGE REF | PREPARER | CHECKER | APPROVED | DATE |
|--|------------|-----------|---------|----------------|-------|
| TENNESSEE VALLEY AUTHORITY | | | | | |
| BROWNS FERRY NUCLEAR PLANT UNIT 2 RISK INFORMED SEGMENT BOUNDARY MAIN STEAM | | | | | |
| DRAWN: RG PHILLIPS | | DATE: | | SCALE: NTS | CADAM |
| CHECKED: RD DOUGLASS | | APPROVED: | | SHEET 01 OF 01 | REV |
| SUBMITTED: N/A | | HEM | | 2-001-RIISI-01 | 000 |
| CAD MAINTAINED DRAWING | | | | CCD | |

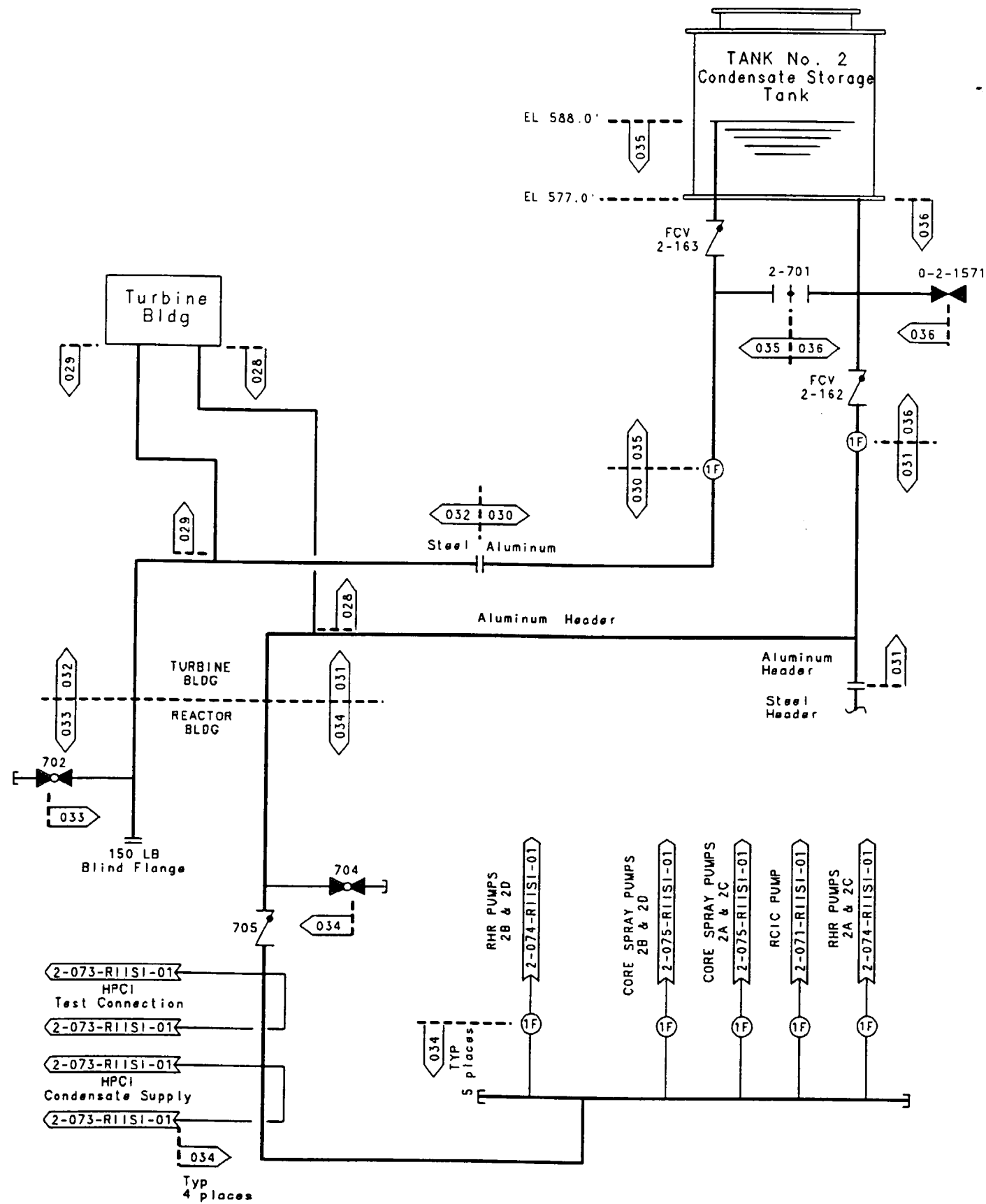


Information Only

NOTES:

1. Risk Informed Segment Boundary numbers are prefixed with 2-001- unless otherwise noted.
2. This sketch is for information only. It may not represent the current plant configuration.

| REV | CHANGE REF | PREPARER | CHECKER | APPROVED | DATE |
|--|------------|-----------|---------|--------------------|------|
| TENNESSEE VALLEY AUTHORITY | | | | | |
| BROWNS FERRY NUCLEAR PLANT UNIT 2 RISK INFORMED SEGMENT BOUNDARY MAIN STEAM | | | | | |
| DRAWN: RG PHILLIPS | | DATE: | | SCALE: NTS CADAM | |
| CHECKED: RD DOUGLASS | | APPROVED: | | SHEET 01 OF 01 REV | |
| SUBMITTED: N/A | | HEH | | 2-001-RIISI-04 000 | |
| CAD MAINTAINED DRAWING | | | | CCD | |



Information Only

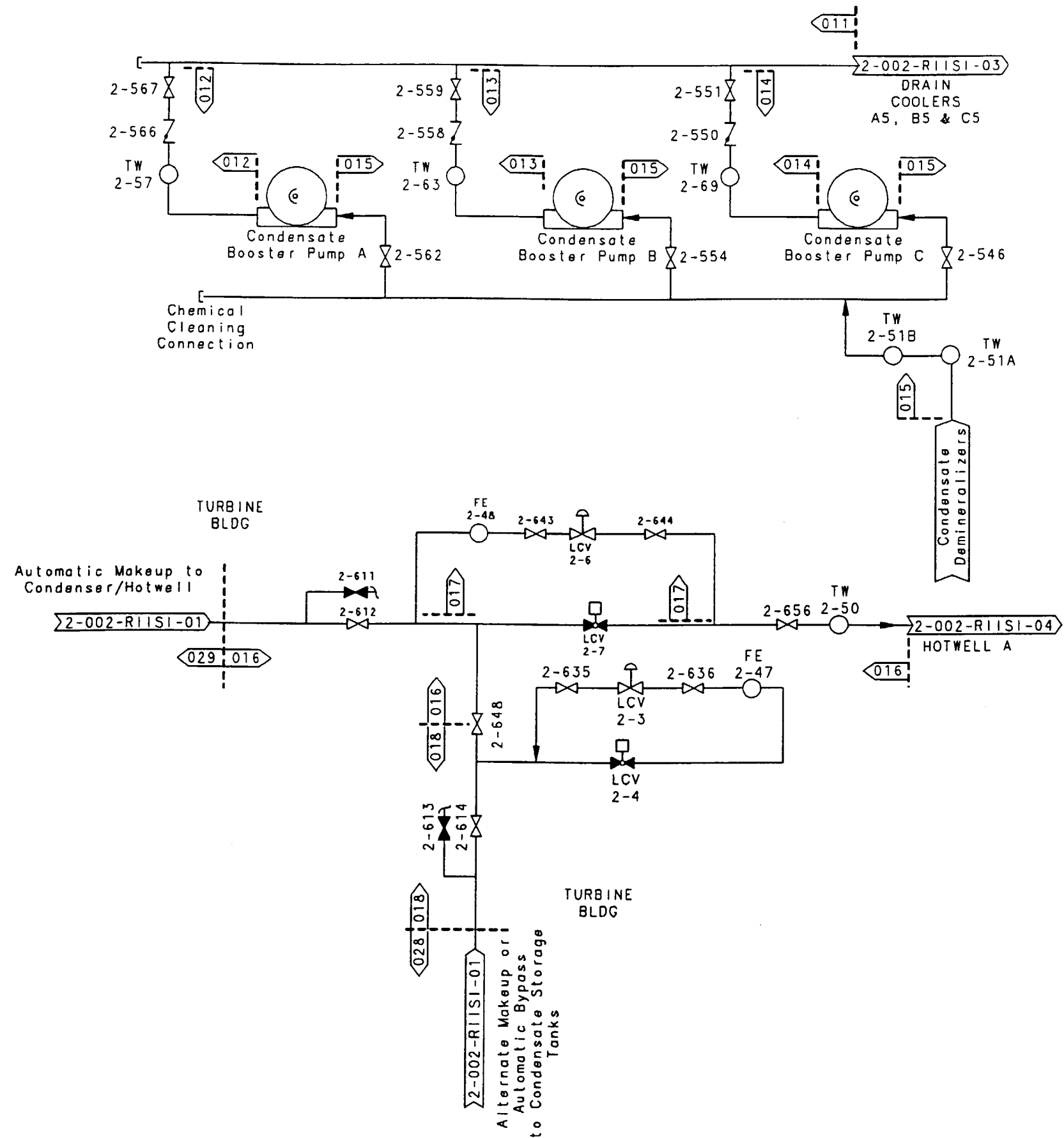
NOTES:

1. Risk Informed Segment Boundary numbers are prefixed with 2-002-+ unless otherwise noted.
2. This sketch is for information only. It may not represent the current plant configuration.

| REV | CHANGE REF | PREPARER | CHECKER | APPROVED | DATE |
|---|------------|-----------|---------|--------------------|------|
| TENNESSEE VALLEY AUTHORITY | | | | | |
| BROWNS FERRY NUCLEAR PLANT UNIT 2 | | | | | |
| RISK INFORMED SEGMENT BOUNDARY CONDENSATE STORAGE & SUPPLY | | | | | |
| DRAWN: R.D. LOOSIER | | DATE: | | SCALE: NTS CADAM | |
| CHECKED: RD DOUGLASS | | APPROVED: | | SHEET 01 OF 01 REV | |
| SUBMITTED: N/A | | HEM | | 2-002-RIISI-01 000 | |

CAD MAINTAINED DRAWING

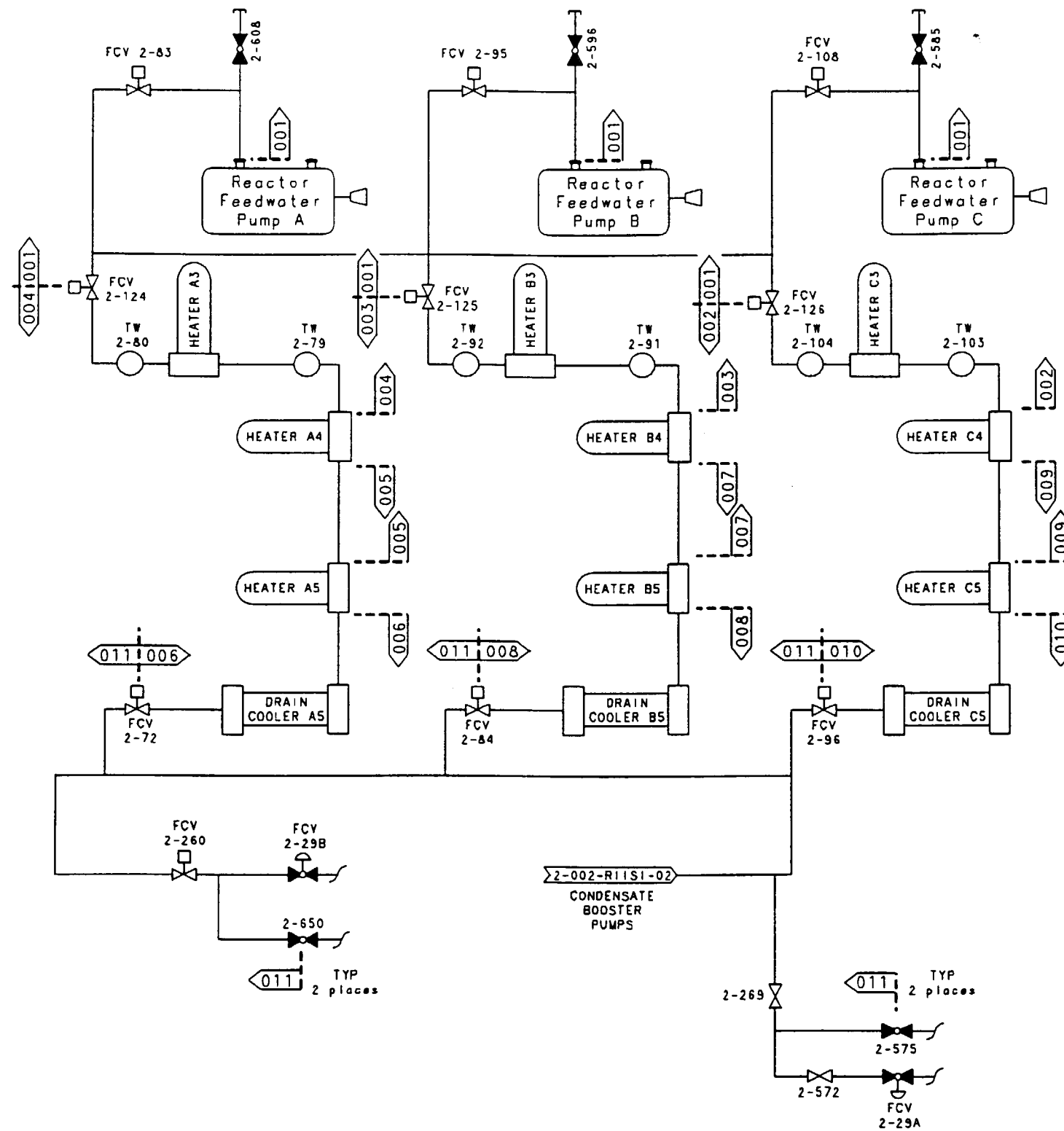
CCD



Information Only

- NOTES:
1. Risk Informed Segment Boundary numbers are prefixed with 2-002- unless otherwise noted.
 2. This sketch is for information only. It may not represent the current plant configuration.

| REV | CHANGE REF | PREPARER | CHECKER | APPROVED | DATE |
|--|------------|-----------|---------|--------------------|------|
| TENNESSEE VALLEY AUTHORITY | | | | | |
| BROWNS FERRY NUCLEAR PLANT UNIT 2 RISK INFORMED SEGMENT BOUNDARY CONDENSATE | | | | | |
| DRAWN: R.D. LOOSIER | | DATE: | | SCALE: NTS CADAM | |
| CHECKED: RD DOUGLASS | | APPROVED: | | SHEET 01 OF 01 REV | |
| SUBMITTED: N/A | | MEM | | 2-002-RIISI-02 000 | |
| CAD MAINTAINED DRAWING | | | | CCD | |

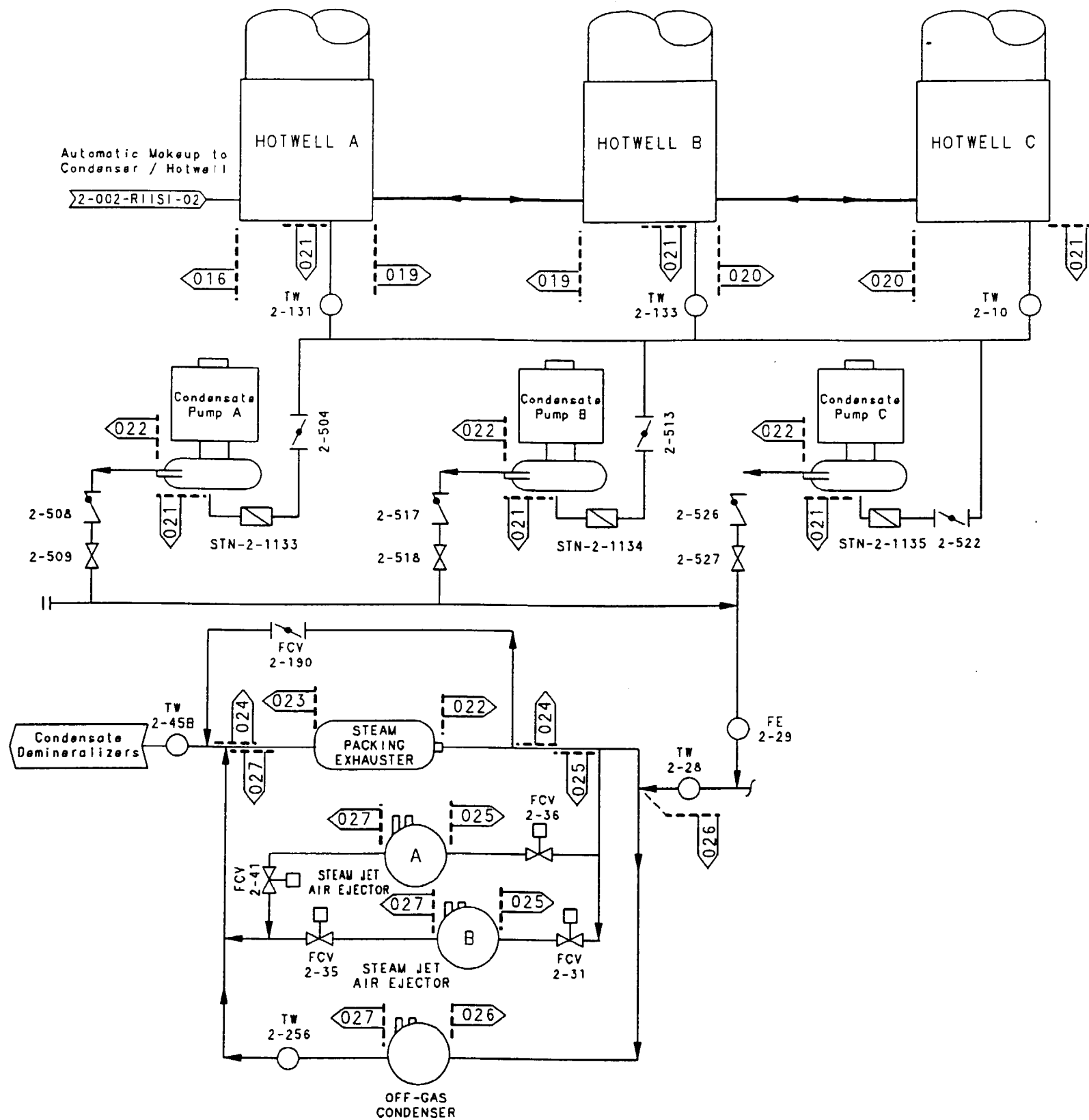


Information Only

NOTES:

1. Risk Informed Segment Boundary numbers prefixed with 2-002- unless otherwise noted.
2. This sketch is for information only. It may not represent the current plant configuration.

| REV | CHANGE REF | PREPARER | CHECKER | APPROVED | DATE |
|--|------------|-----------|---------|----------------|-------|
| TENNESSEE VALLEY AUTHORITY | | | | | |
| BROWNS FERRY NUCLEAR PLANT UNIT 2 | | | | | |
| RISK INFORMED SEGMENT BOUNDARY CONDENSATE | | | | | |
| DRAWN: R. D. LOOSIER | | DATE: | | SCALE: NTS | CADAM |
| CHECKED: RD DOUGLASS | | APPROVED: | | SHEET 01 OF 01 | REV |
| SUBMITTED: N/A | | HEM | | 2-002-RIISI-03 | 000 |
| CAD MAINTAINED DRAWING | | | | | CCD |

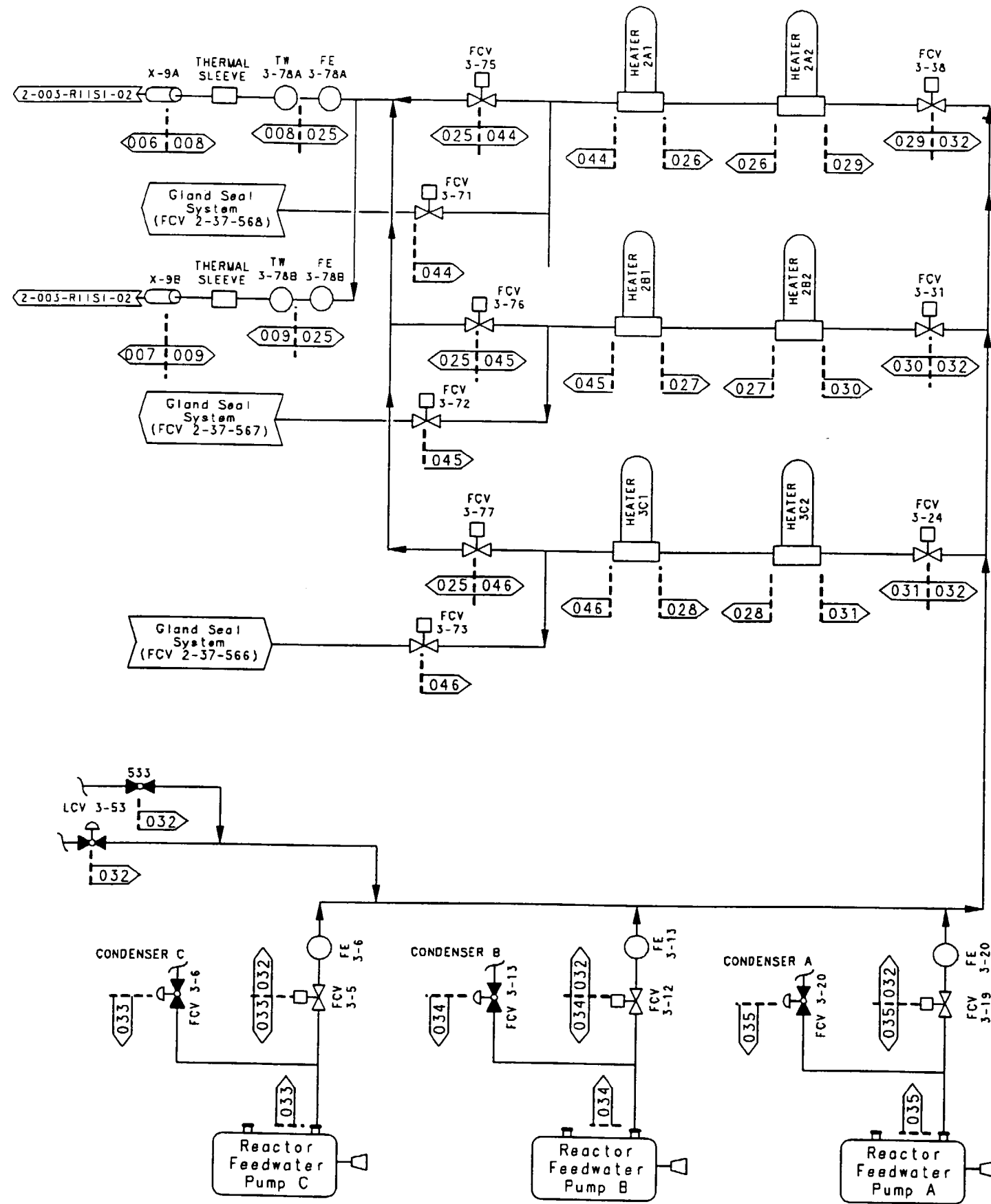


Information Only

NOTES:

1. Risk Informed Segment Boundary numbers are prefixed with 2-002- unless otherwise noted.
2. This sketch is for information only. It may not represent the current plant configuration.

| REV | CHANGE REF | PREPARER | CHECKER | APPROVED | DATE |
|--|------------|-----------|---------|--------------------|------|
| TENNESSEE VALLEY AUTHORITY | | | | | |
| BROWNS FERRY NUCLEAR PLANT UNIT 2 | | | | | |
| RISK INFORMED SEGMENT BOUNDARY CONDENSATE | | | | | |
| DRAWN: R.D. LOOSIER | | DATE: | | SCALE: NTS CADAM | |
| CHECKED: RD DOUGLASS | | APPROVED: | | SHEET 01 OF 01 REV | |
| SUBMITTED: N/A | | HEM | | 2-002-RIISI-04 000 | |
| CAD MAINTAINED DRAWING | | | | CCD | |

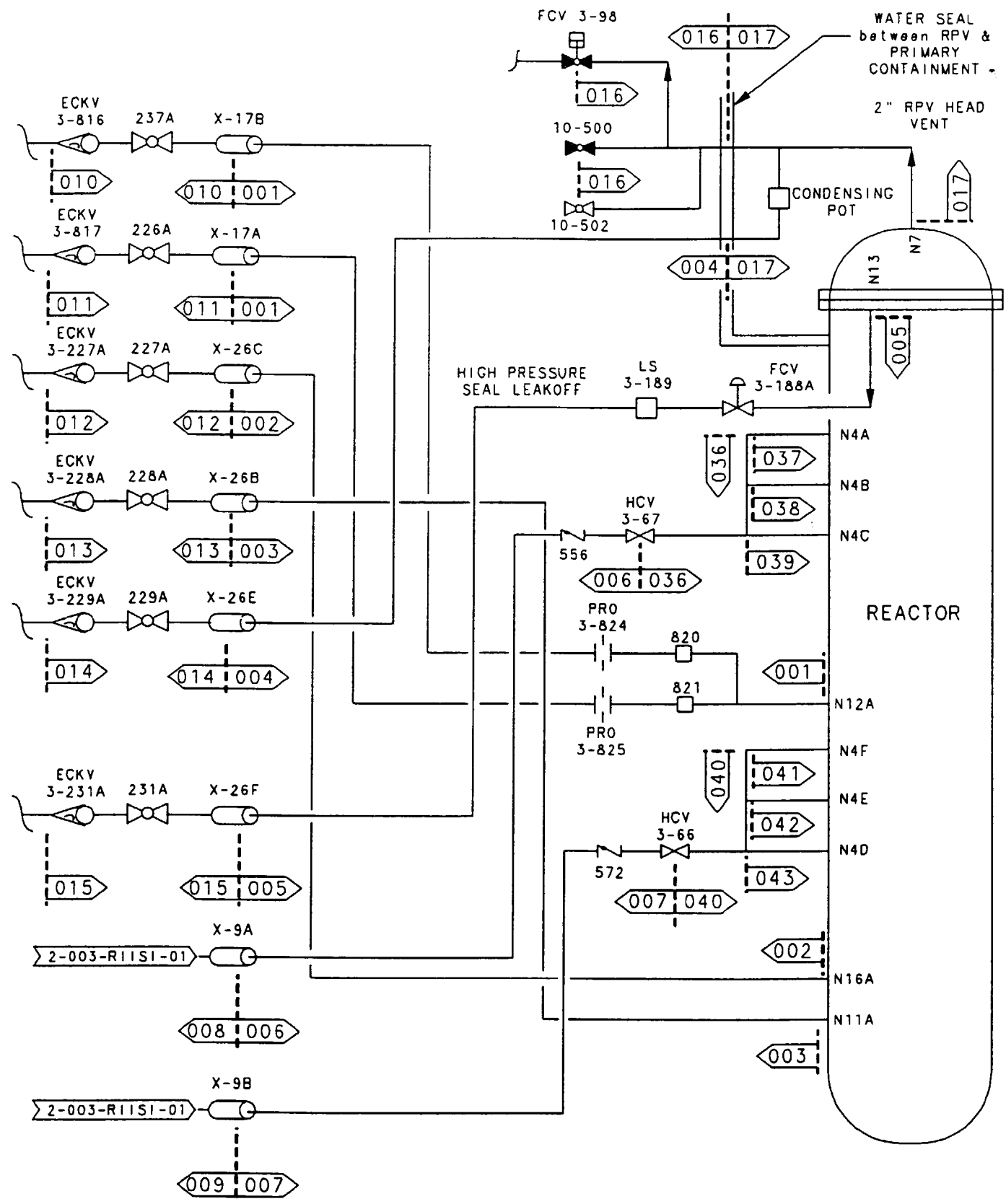


Information Only

NOTES:

1. Risk Informed Segment Boundary numbers are prefixed with 2-003- unless otherwise noted.
2. This sketch is for information only. It may not represent the current plant configuration.

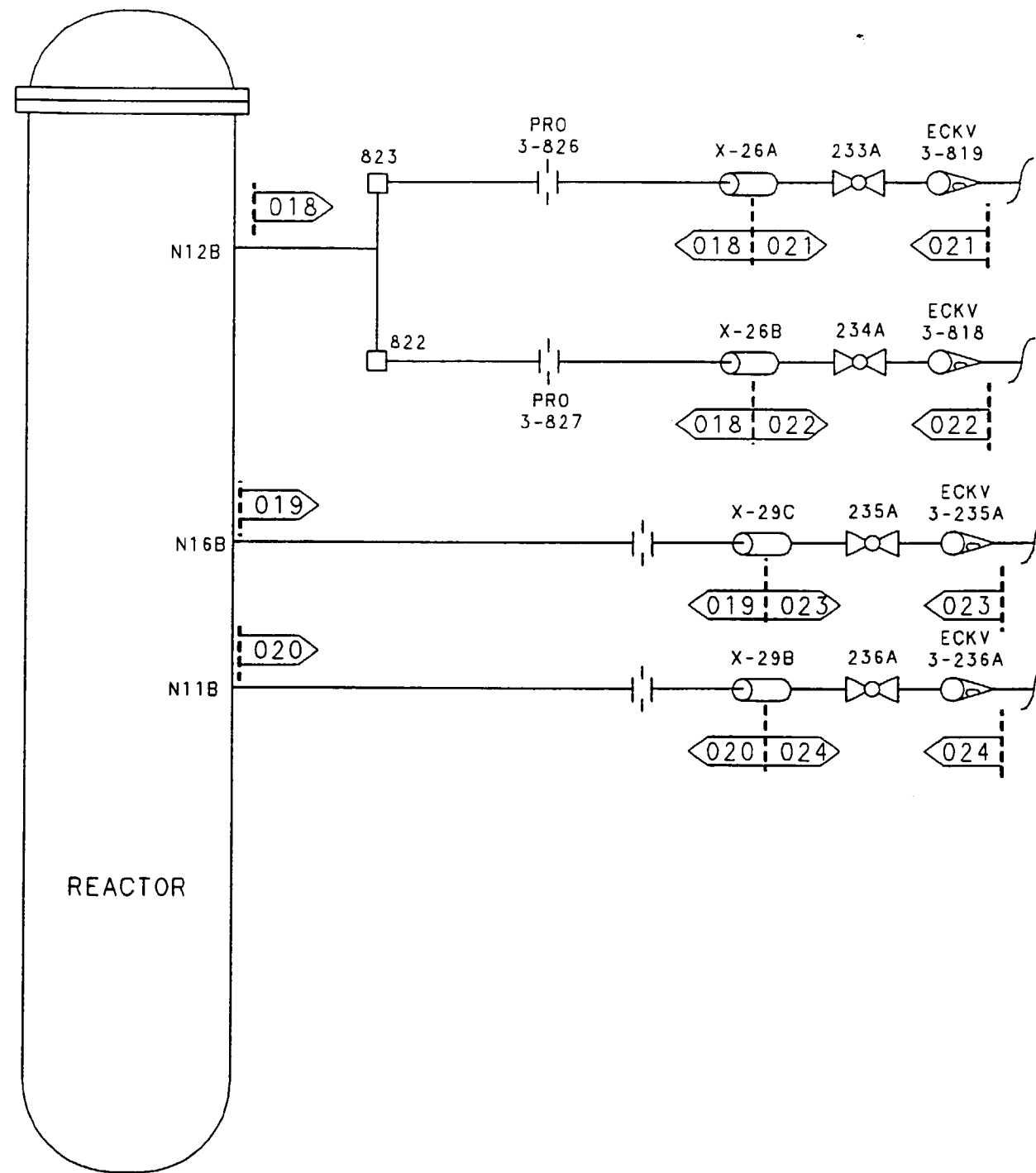
| REV | CHANGE REF | PREPARER | CHECKER | APPROVED | DATE |
|---|------------|-----------|---------|--------------------|------|
| TENNESSEE VALLEY AUTHORITY | | | | | |
| BROWNS FERRY NUCLEAR PLANT UNIT 2 | | | | | |
| RISK INFORMED SEGMENT BOUNDARY REACTOR FEEDWATER | | | | | |
| DRAWN: RC PHILLIPS | | DATE: | | SCALE: NTS CADAM | |
| CHECKED: RD DOUGLASS | | APPROVED: | | SHEET 01 OF 01 REV | |
| SUBMITTED: N/A | | HEM | | 2-003-R11S1-01 000 | |
| CAD MAINTAINED DRAWING | | | | CCD | |



Information Only

- NOTES:
1. Risk Informed Segment Boundary numbers are prefixed with 2-003- unless otherwise noted.
 2. This sketch is for information only. It may not represent the current plant configuration.

| REV | CHANGE REF | PREPARER | CHECKER | APPROVED | DATE |
|---|------------|-----------|---------|--------------------|------|
| TENNESSEE VALLEY AUTHORITY | | | | | |
| BROWNS FERRY NUCLEAR PLANT UNIT 2 | | | | | |
| RISK INFORMED SEGMENT BOUNDARY REACTOR FEEDWATER | | | | | |
| DRAWN: RG PHILLIPS | | DATE: | | SCALE: NTS CADAM | |
| CHECKED: RD DOUGLASS | | APPROVED: | | SHEET 01 OF 01 REV | |
| SUBMITTED: N/A | | HEM | | 2-003-RIISI-02 000 | |
| CAD MAINTAINED DRAWING | | | | CCD | |



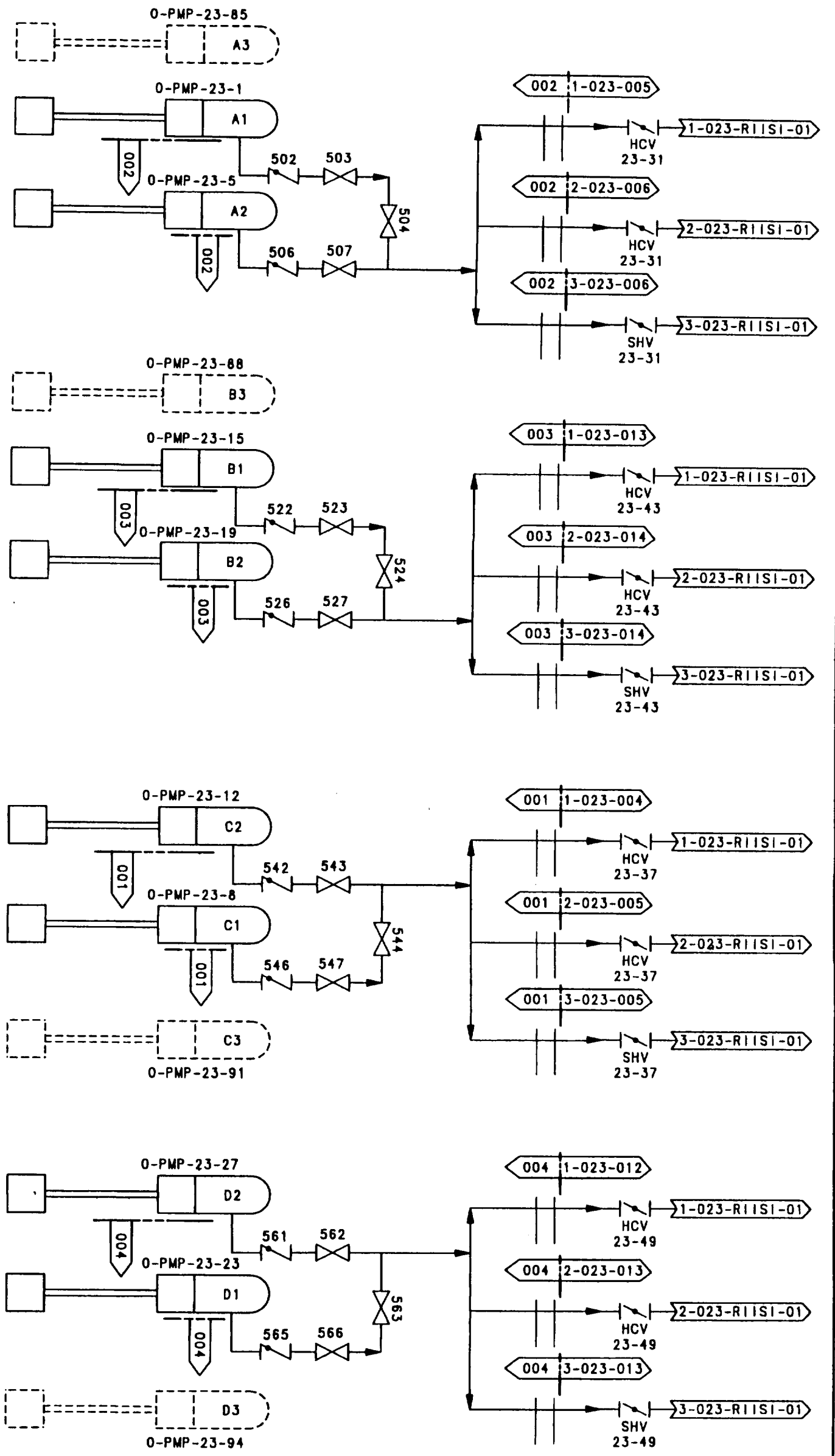
Information Only

NOTES:

1. Risk Informed Segment Boundary numbers are prefixed with 2-003-* unless otherwise noted.
2. This sketch is for information only. It may not represent the current plant configuration.

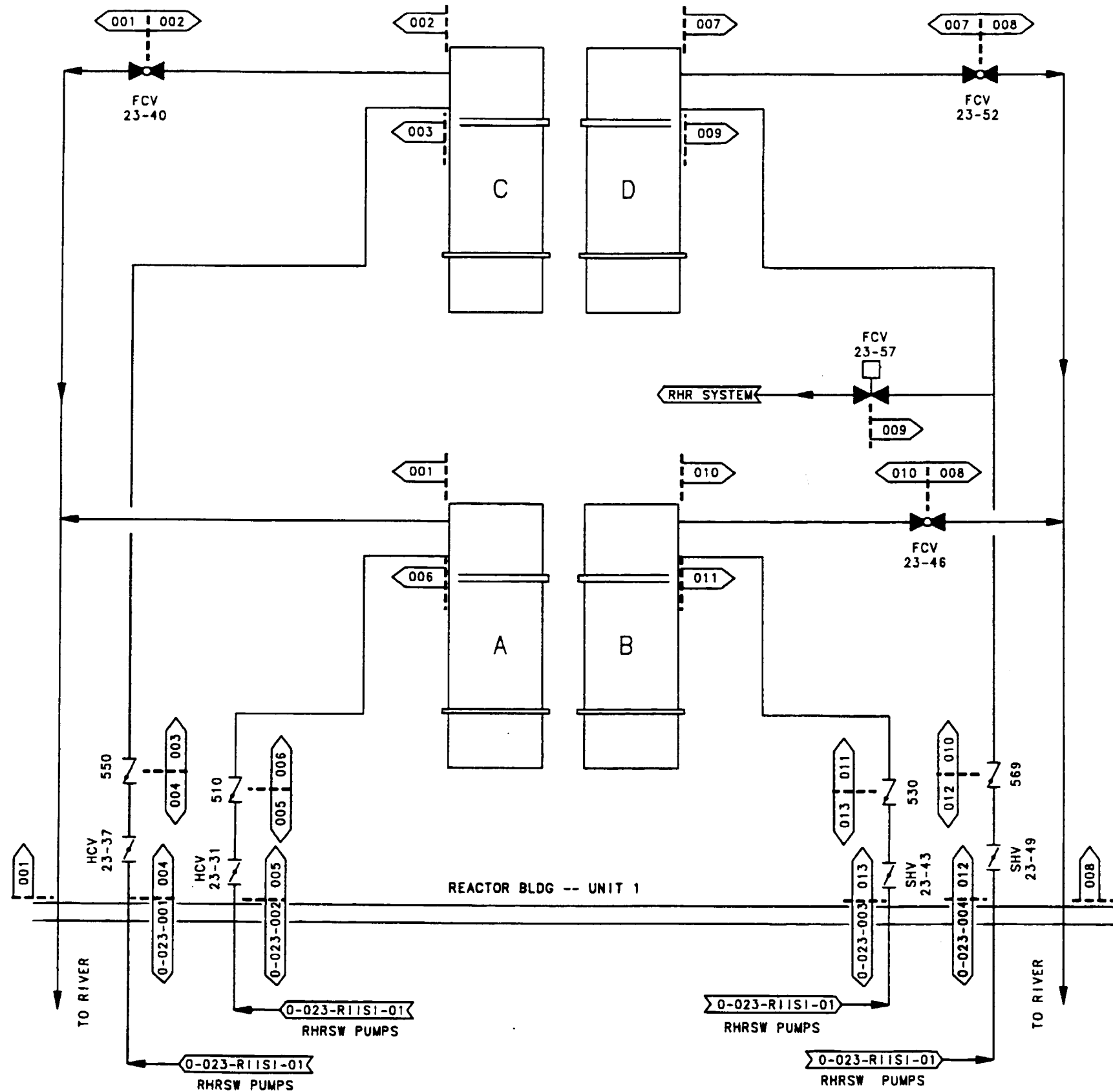
| REV | CHANGE REF | PREPARER | CHECKER | APPROVED | DATE |
|---|------------|-----------|---------|--------------------|------|
| TENNESSEE VALLEY AUTHORITY | | | | | |
| BROWNS FERRY NUCLEAR PLANT UNIT 2 | | | | | |
| RISK INFORMED SEGMENT BOUNDARY REACTOR FEEDWATER | | | | | |
| DRAWN: RG PHILLIPS | | DATE: | | SCALE: NTS CADAM | |
| CHECKED: RD DOUGLASS | | APPROVED: | | SHEET 01 OF 01 REV | |
| SUBMITTED: N/A | | HEM | | 2-003-R11S1-03 000 | |
| CAD MAINTAINED DRAWING | | | | CCD | |

- NOTES:
1. Risk Informed Segment Boundary are Prefixed with 0-023- unless otherwise noted.
 2. This sketch is for information only. It may not represent the current plant configuration.



Information Only

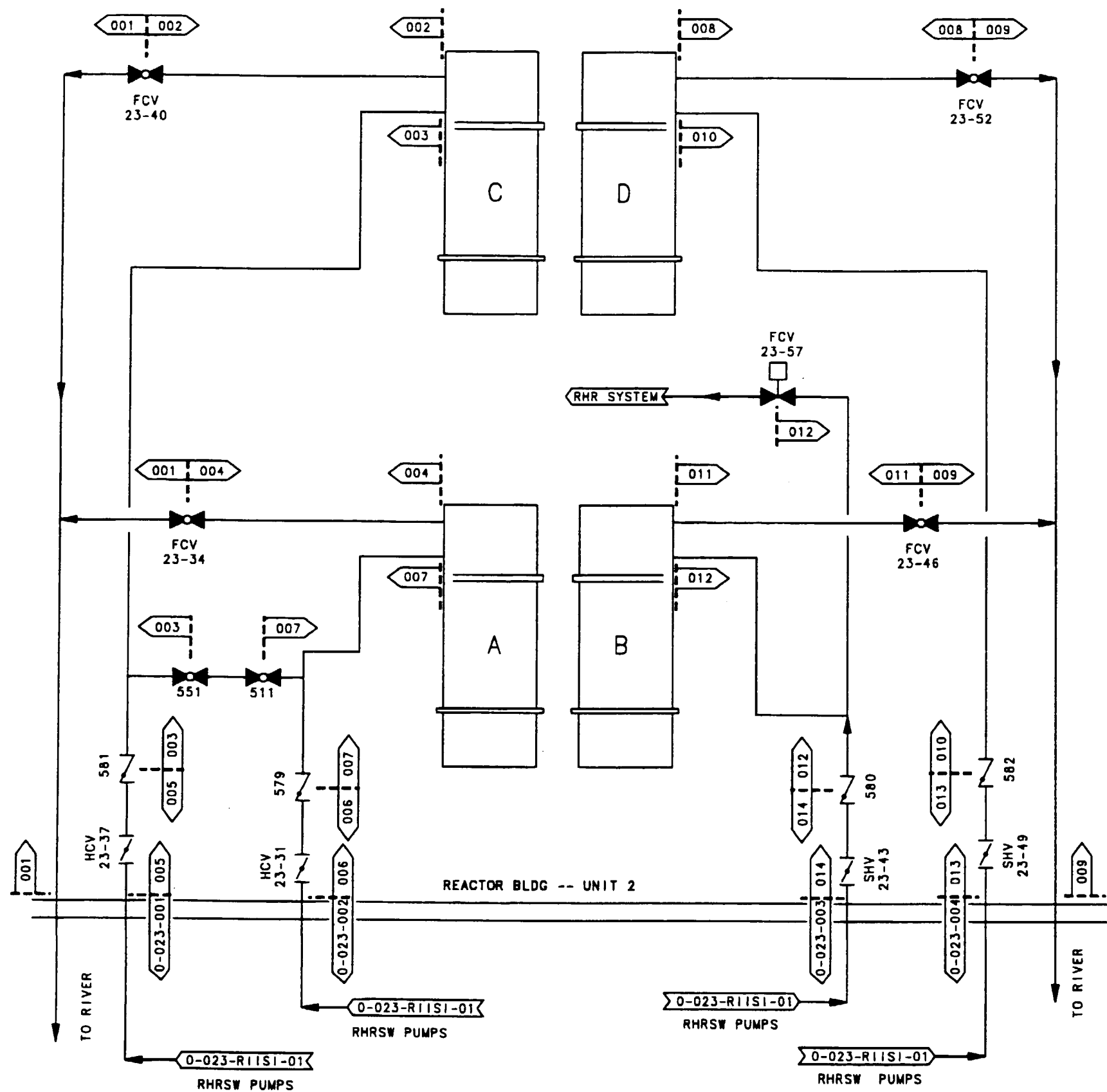
| | | | | | |
|--------------------------------|--------------|-----------|----------|----------|----------|
| REV | CHANGE REF | PREPARED | CHECKER | APPROVED | DATE |
| TENNESSEE VALLEY AUTHORITY | | | | | |
| BROWNS FERRY NUCLEAR PLANT | | | | | |
| UNIT 0 | | | | | |
| RISK INFORMED SEGMENT BOUNDARY | | | | | |
| RHR SERVICE WATER | | | | | |
| DRAWN: | R.D. LOOSIER | DATE: | 7-7-2002 | SCALE: | NIS |
| CHECKED: | MCM | APPROVED: | AWP | SHEET: | 01 OF 01 |
| SUBMITTED: | N/A | CAD: | | REV: | 000 |
| 0-023-RIISI-01 | | | | | |
| CAD MAINTAINED DRAWING | | | | | |
| CCD | | | | | |



Information Only

- NOTES:
1. Risk Informed Segment Boundary numbers are prefixed with 1-023-* unless otherwise noted.
 2. This sketch is for information only. It may not represent the current plant configuration.

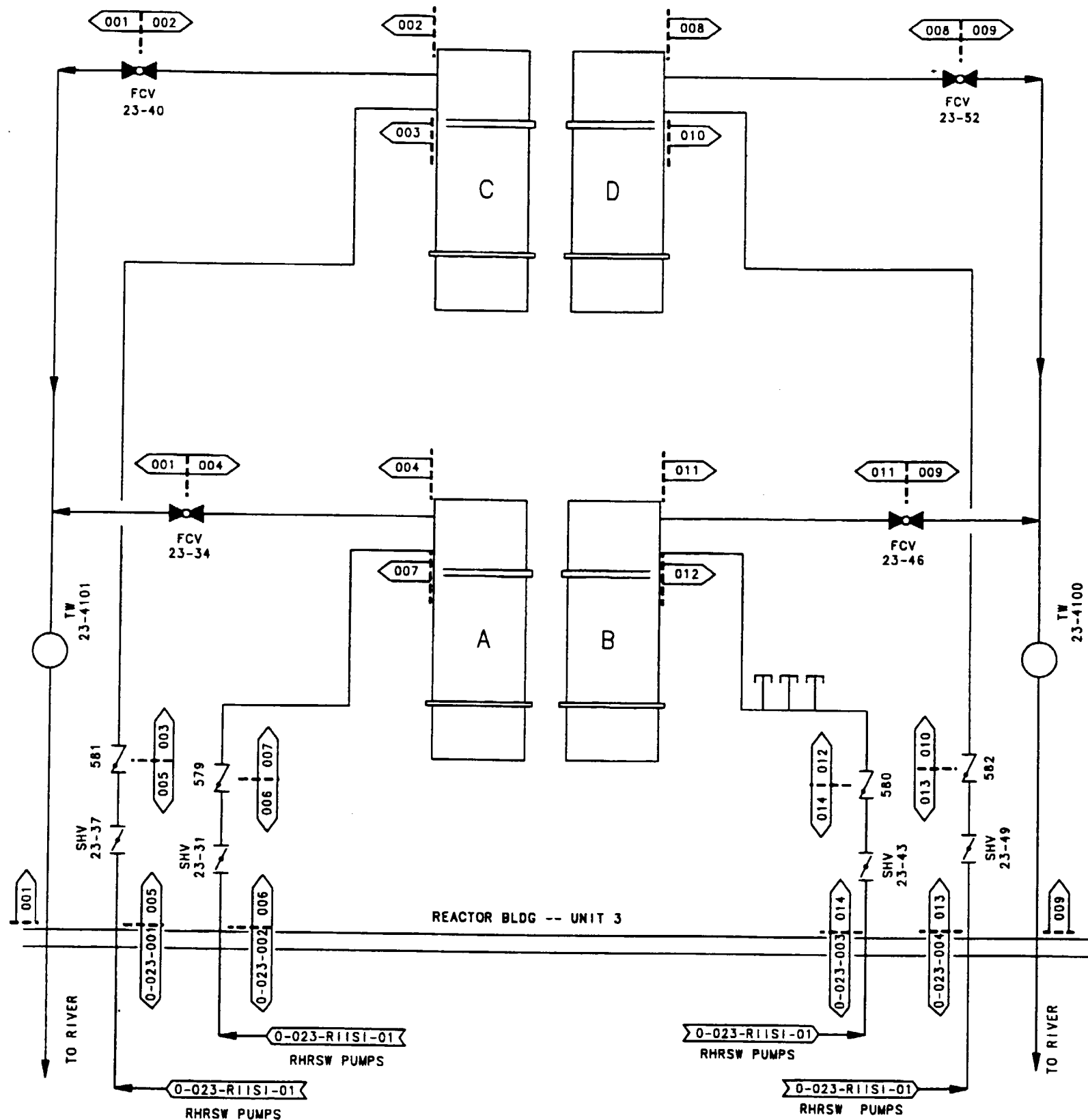
| REV | CHANGE REF | PREPARER | CHECKER | APPROVED | DATE |
|---|------------|-----------------------|---------|----------------|-------|
| TENNESSEE VALLEY AUTHORITY | | | | | |
| BROWNS FERRY NUCLEAR PLANT UNIT 1 | | | | | |
| RISK INFORMED SEGMENT BOUNDARY RHR SERVICE WATER | | | | | |
| DRAWN: R.D. LOOSIER | | DATE: 7-17-2006 | | SCALE: NTS | CADAM |
| CHECKED: WCH | | APPROVED: [Signature] | | SHEET 01 OF 01 | REV |
| SUBMITTED: N/A | | | | 1-023-RIISI-01 | 000 |
| CAD MAINTAINED DRAWING | | | | | CCD |



Information Only

- NOTES:
1. Risk Informed Segment Boundary numbers are prefixed with 2-023- unless otherwise noted.
 2. This sketch is for information only. It may not represent the current plant configuration.

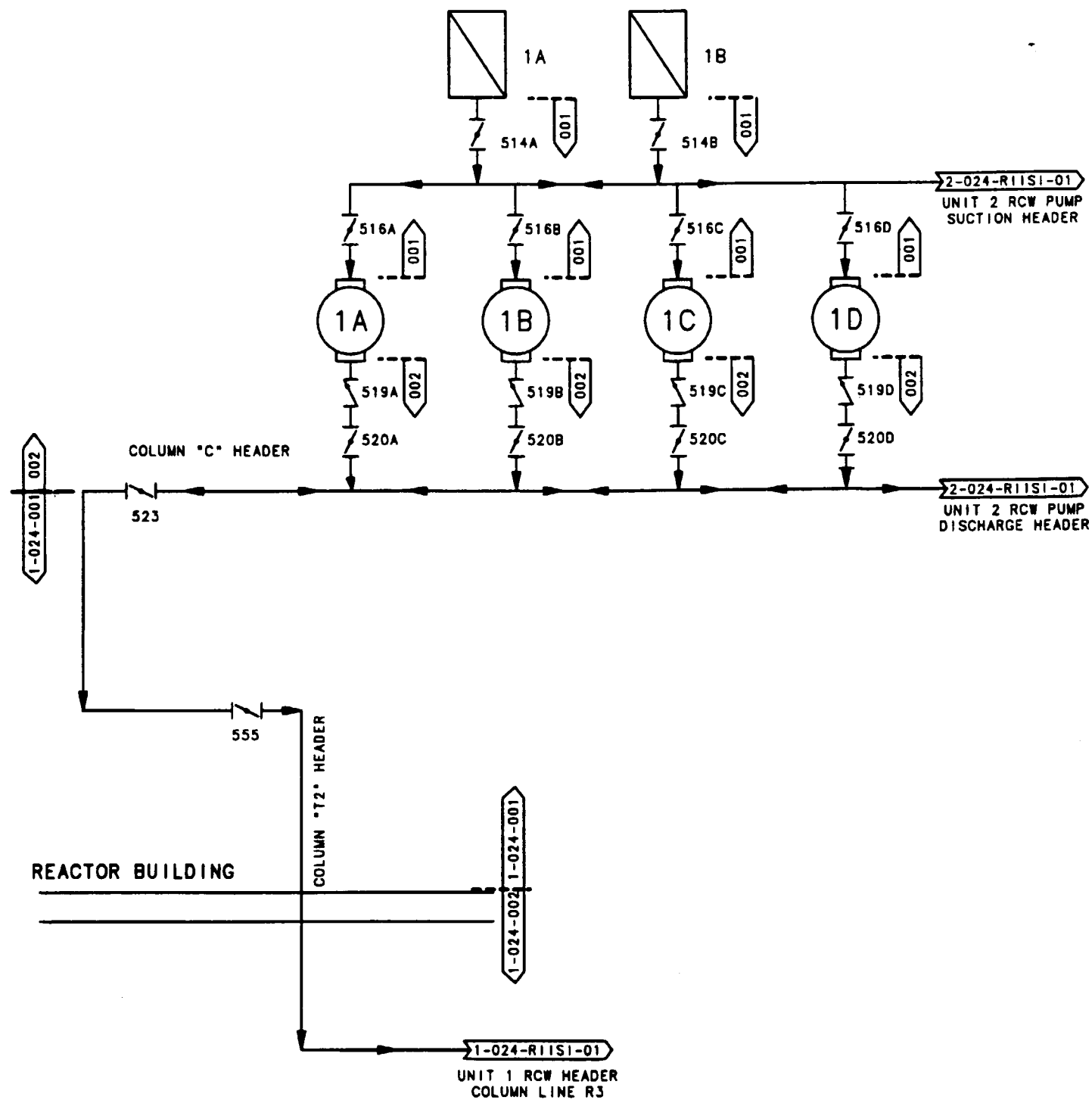
| REV | CHANGE REF | PREPARER | CHECKER | APPROVED | DATE |
|---|------------|------------------------------|---------|----------------|-------|
| TENNESSEE VALLEY AUTHORITY | | | | | |
| BROWNS FERRY NUCLEAR PLANT UNIT 2 | | | | | |
| RISK INFORMED SEGMENT BOUNDARY RHR SERVICE WATER | | | | | |
| DRAWN: R.D. LOOSIER | | DATE: 7-17-2009 | | SCALE: NTS | CADAM |
| CHECKED: WCH | | APPROVED: <i>[Signature]</i> | | SHEET 01 OF 01 | REV |
| SUBMITTED: N/A | | | | 2-023-RIISI-01 | 000 |
| CAD MAINTAINED DRAWING | | | | | CCD |



Information Only

- NOTES:
1. Risk Informed Segment Boundary numbers are prefixed with 3-023- unless otherwise noted.
 2. This sketch is for information only. It may not represent the current plant configuration.

| REV | CHANGE REF | PREPARER | CHECKER | APPROVED | DATE |
|---|------------|-----------------|---------|--------------------|------|
| TENNESSEE VALLEY AUTHORITY | | | | | |
| BROWNS FERRY NUCLEAR PLANT UNIT 3 | | | | | |
| RISK INFORMED SEGMENT BOUNDARY RHR SERVICE WATER | | | | | |
| DRAWN: R.D. LOOSIER | | DATE: 7-17-2000 | | SCALE: NYS CADAM | |
| CHECKED: WCH | | APPROVED: R.L. | | SHEET 01 OF 01 REV | |
| SUBMITTED: N/A | | | | 3-023-RIISI-01 000 | |
| CAD MAINTAINED DRAWING | | | | CCD | |



Information Only

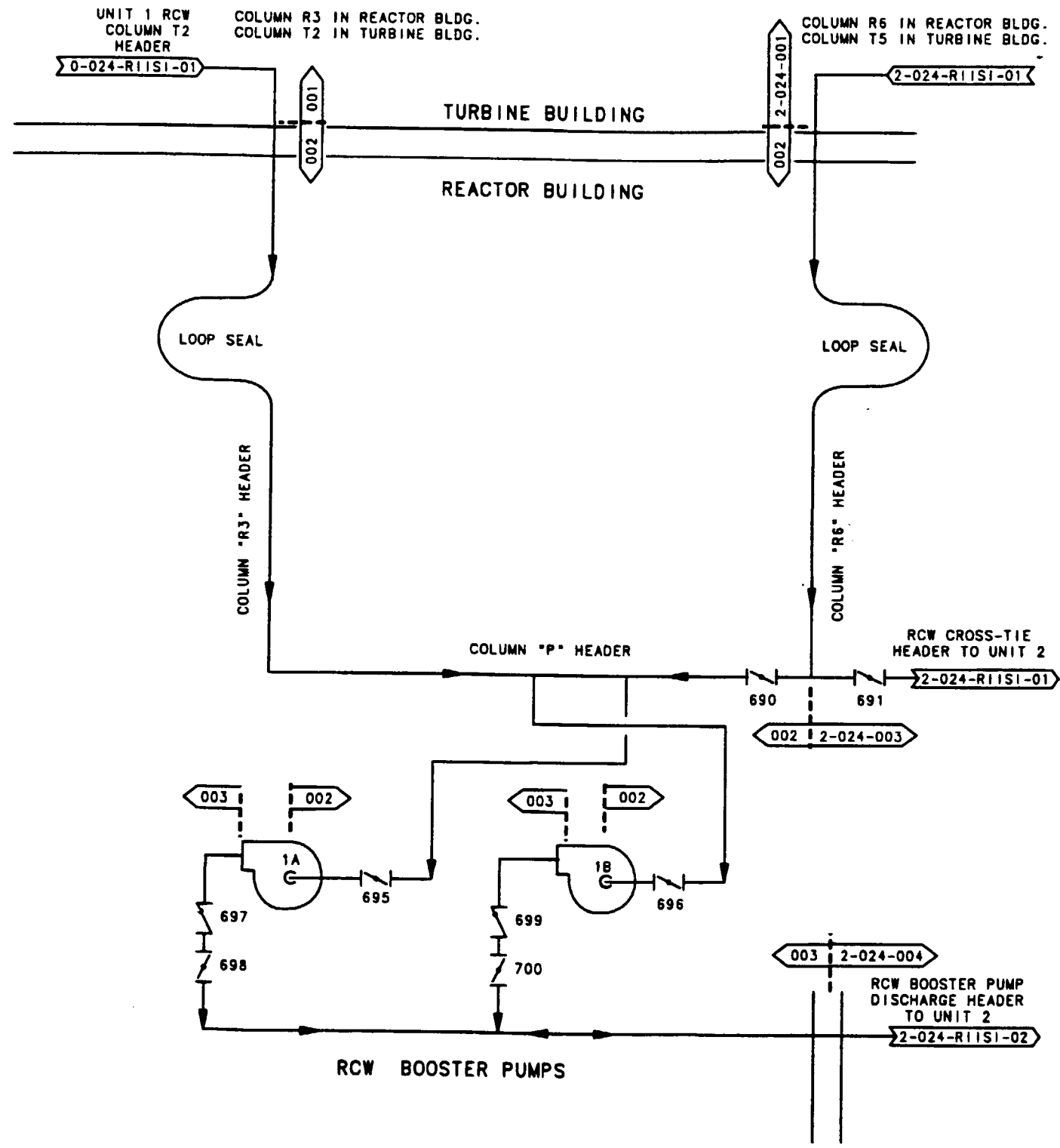
NOTES:

1. Risk Informed Segment Boundary numbers are prefixed with 0-024- unless otherwise noted.
2. This sketch is for information only. It may not represent the current plant configuration.

| REV | CHANGE REF | PREPARER | CHECKER | APPROVED | DATE |
|---|------------|-----------------------|---------|--------------------|------|
| TENNESSEE VALLEY AUTHORITY | | | | | |
| BROWNS FERRY NUCLEAR PLANT UNITS 1 & 0 | | | | | |
| RISK INFORMED SEGMENT BOUNDARY RAW COOLING WATER | | | | | |
| DRAWN: R.D. LOOSIER | | DATE: 7-16-2000 | | SCALE: NYS CADAM | |
| CHECKED: RLO | | APPROVED: [Signature] | | SHEET 01 OF 01 | |
| SUBMITTED: N/A | | | | 0-024-RIISI-01 000 | |

CAD MAINTAINED DRAWING

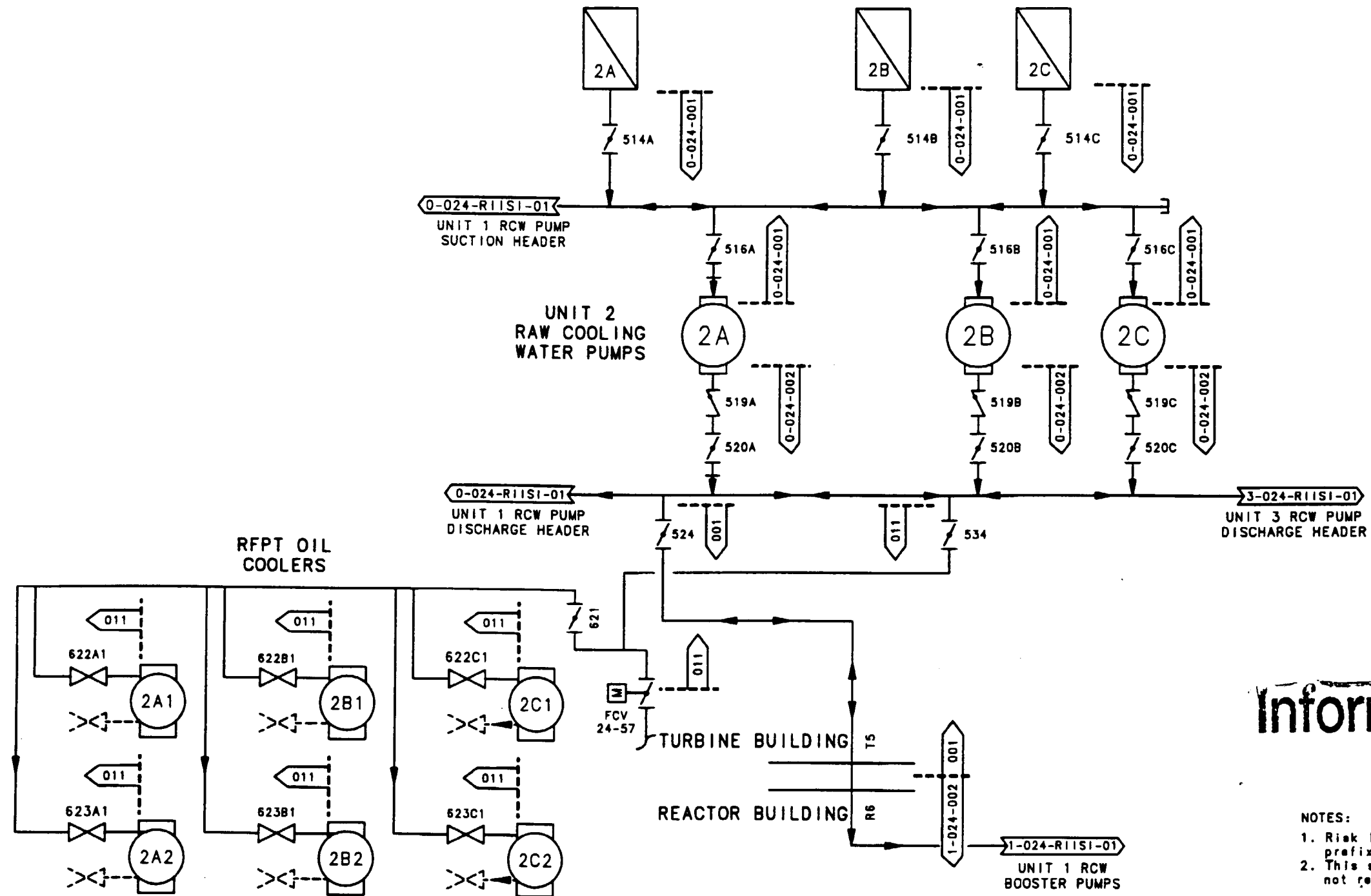
CCD



Information Only

- NOTES:
1. Risk Informed Segment Boundary numbers are prefixed with 1-024- unless otherwise noted.
 2. This sketch is for information only. It may not represent the current plant configuration.

| REV | CHANGE REF | PREPARER | CHECKER | APPROVED | DATE |
|---|------------|-----------------------|---------|--------------------|------|
| TENNESSEE VALLEY AUTHORITY | | | | | |
| BROWNS FERRY NUCLEAR PLANT UNIT 1 | | | | | |
| RISK INFORMED SEGMENT BOUNDARY RAW COOLING WATER | | | | | |
| DRAWN: R.D. LOOSIER | | DATE: 7-10-2008 | | SCALE: NYS CADAM | |
| CHECKED: RLD | | APPROVED: [Signature] | | SHEET 01 OF 01 REV | |
| SUBMITTED: N/A | | | | 1-024-R11S1-01 000 | |
| CAD MAINTAINED DRAWING | | | | | CCD |

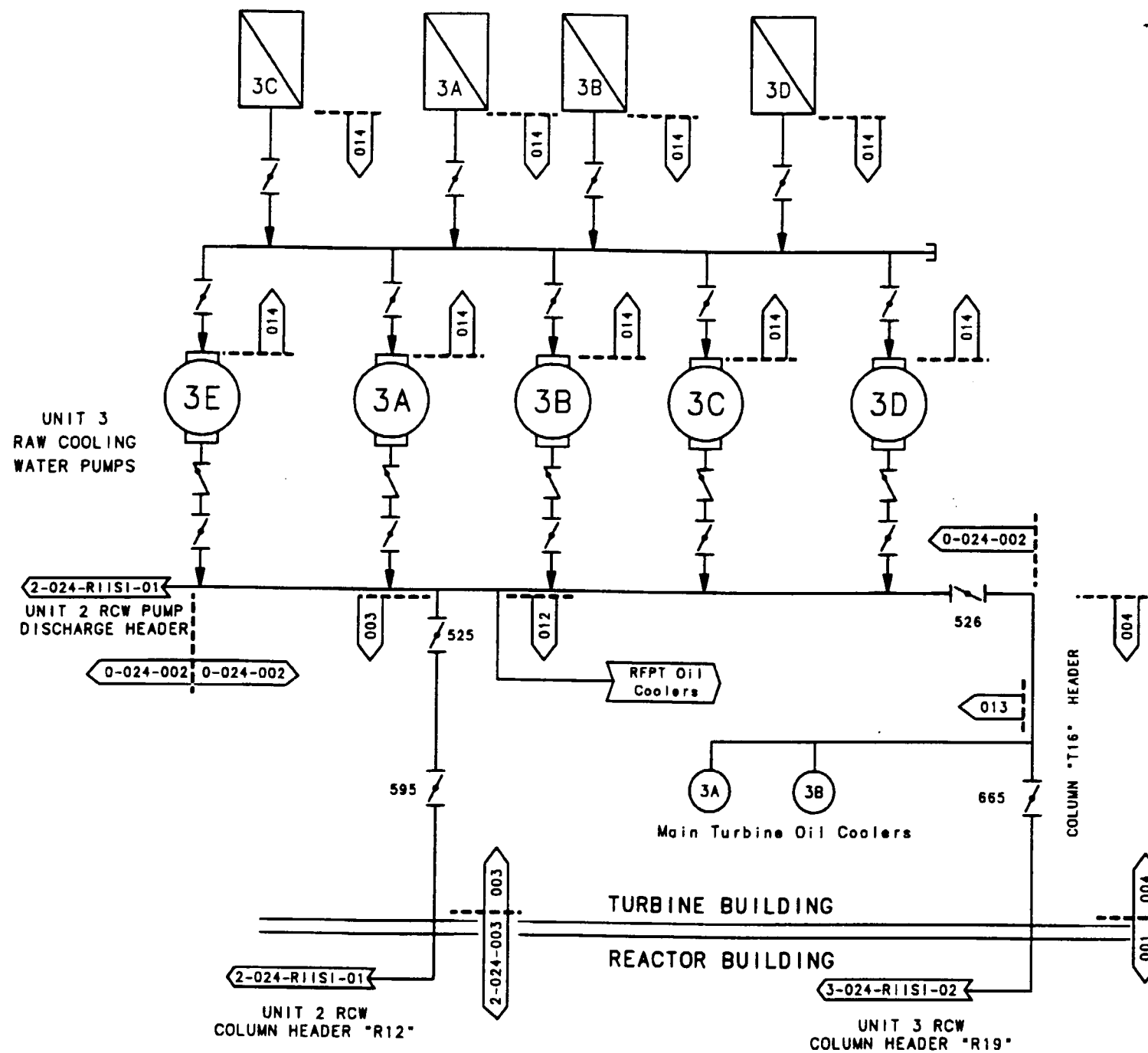


Information Only

NOTES:

1. Risk Informed Segment Boundary numbers are prefixed with 2-024- unless otherwise noted.
2. This sketch is for information only. It may not represent the current plant configuration.

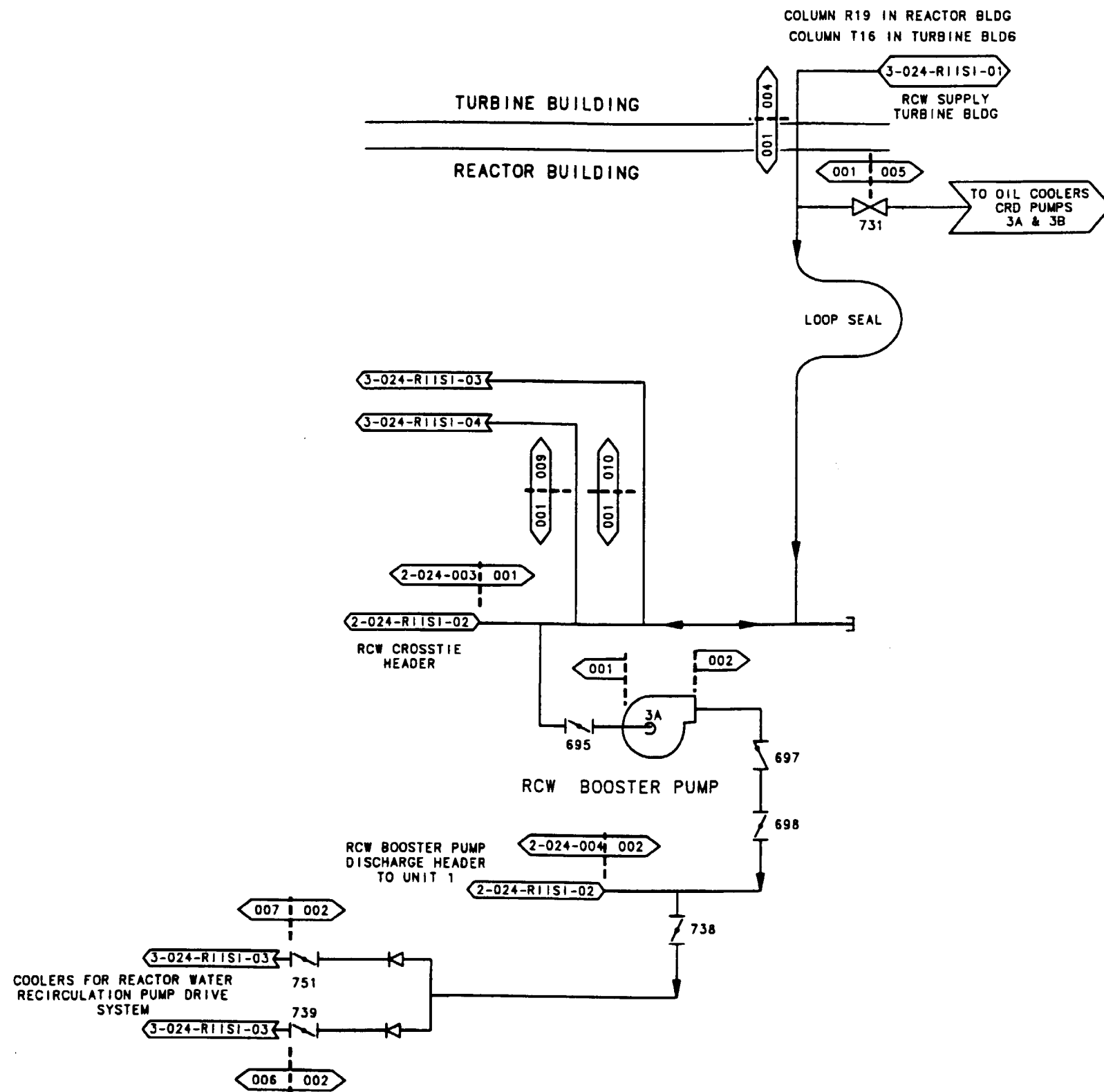
| REV | CHANGE REF | PREPARER | CHECKER | APPROVED | DATE |
|---|------------|-----------------------|---------|--------------------|------|
| TENNESSEE VALLEY AUTHORITY | | | | | |
| BROWNS FERRY NUCLEAR PLANT UNIT 2 | | | | | |
| RISK INFORMED SEGMENT BOUNDARY RAW COOLING WATER | | | | | |
| DRAWN: R.D. LOOSIER | | DATE: 7-10-2000 | | SCALE: NYS | |
| CHECKED: RLD | | APPROVED: [Signature] | | SHEET 01 OF 01 | |
| SUBMITTED: N/A | | | | 2-024-RIISI-01 000 | |
| CAD MAINTAINED DRAWING | | | | CCD | |



Information Only

- NOTES:
1. Risk Informed Segment Boundary numbers are prefixed with 3-024- unless otherwise noted.
 2. This sketch is for information only. It may not represent the current plant configuration.

| REV | CHANGE REF | PREPARER | CHECKER | APPROVED | DATE |
|---|------------|-----------------------|---------|--------------------|------|
| TENNESSEE VALLEY AUTHORITY | | | | | |
| BROWNS FERRY NUCLEAR PLANT UNIT 3 RISK INFORMED SEGMENT BOUNDARY RAW COOLING WATER | | | | | |
| DRAWN: R.D. LOOSIER | | DATE: 7-14-2000 | | SCALE: NYS CADAM | |
| CHECKED: ZLD | | APPROVED: [Signature] | | SHEET 01 OF 01 REV | |
| SUBMITTED: N/A | | | | 3-024-R11SI-01 000 | |
| CAD MAINTAINED DRAWING | | | | CCD | |

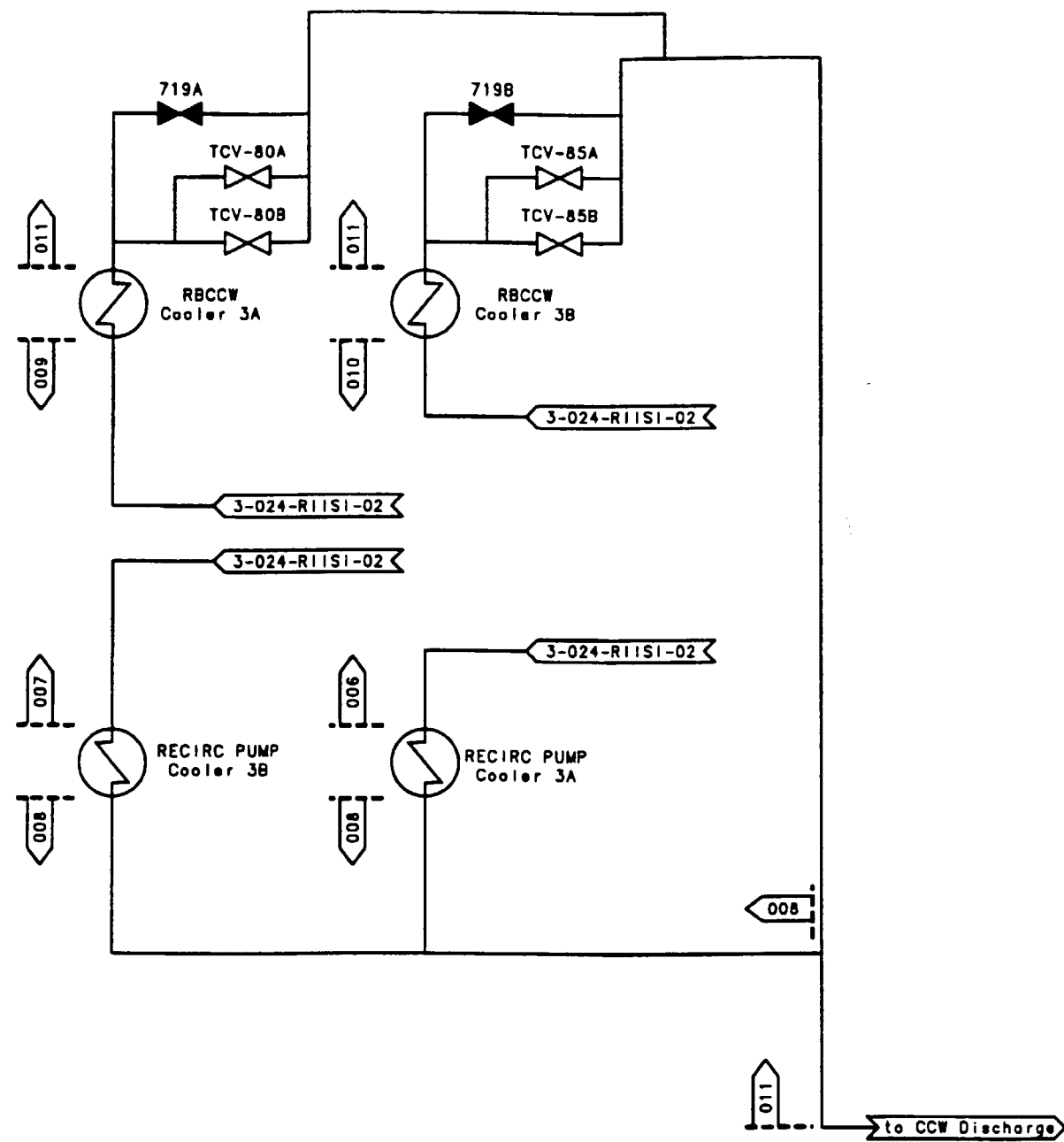


Information Only

NOTES:

1. Risk Informed Segment Boundary numbers are prefixed with 3-024- unless otherwise noted.
2. This sketch is for information only. It may not represent the current plant configuration.

| REV | CHANGE REF | PREPARER | CHECKER | APPROVED | DATE |
|---|------------|-----------------------|---------|--------------------|------|
| TENNESSEE VALLEY AUTHORITY | | | | | |
| BROWNS FERRY NUCLEAR PLANT UNIT 3 | | | | | |
| RISK INFORMED SEGMENT BOUNDARY RAW COOLING WATER | | | | | |
| DRAWN: R.D. LOOSIER | | DATE: 7-14-2000 | | SCALE: NYS CADAM | |
| CHECKED: RLD | | APPROVED: [Signature] | | SHEET 01 OF 01 | |
| SUBMITTED: N/A | | | | 3-024-RIISI-02 000 | |
| CAD MAINTAINED DRAWING | | | | | CCD |

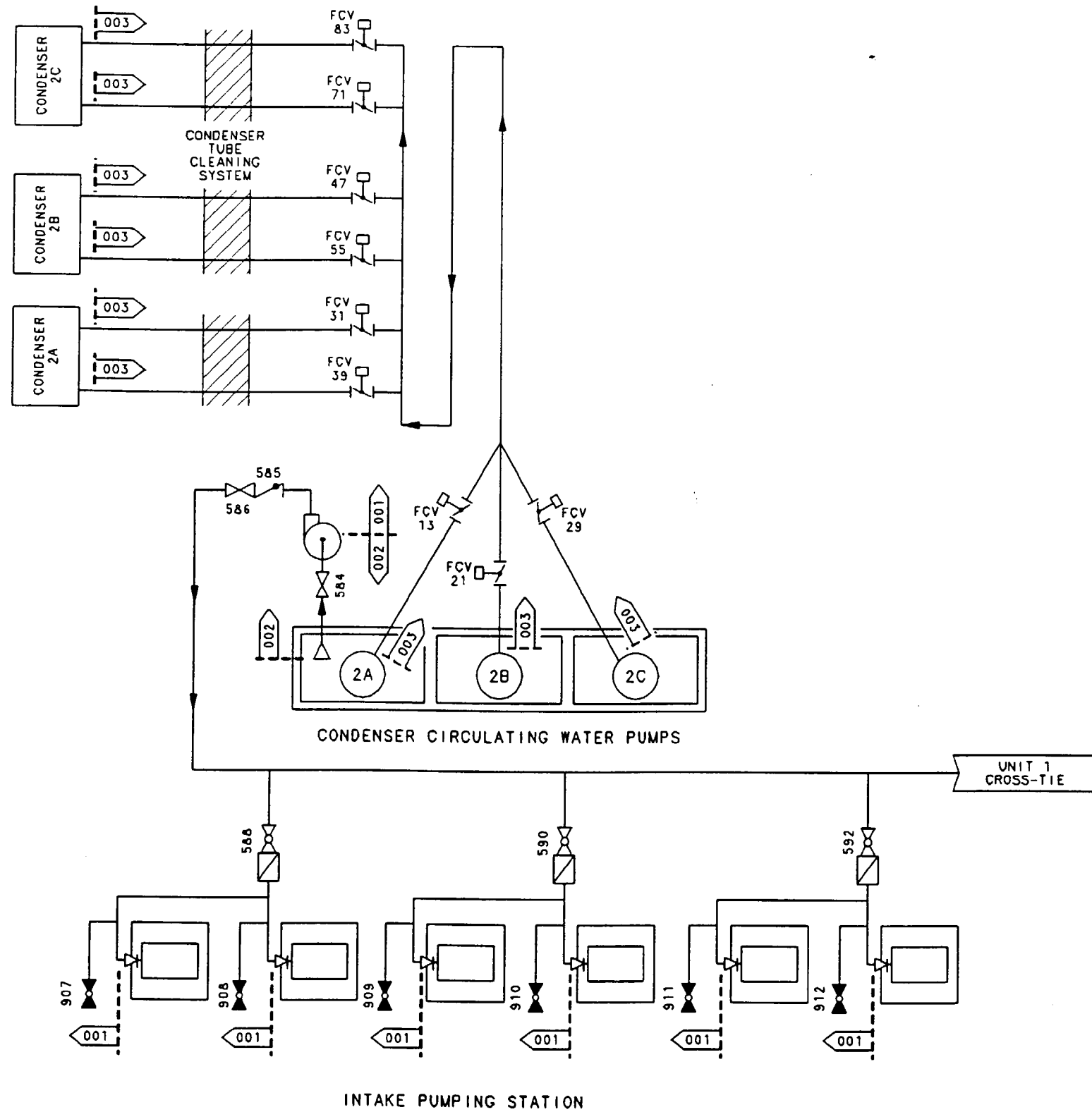


Information Only

NOTES:

1. Risk Informed Segment Boundary numbers are prefixed with 3-024-- unless otherwise noted.
2. This sketch is for information only. It may not represent the current plant configuration.

| REV | CHANGE REF | PREPARER | CHECKER | APPROVED | DATE |
|---|------------|-----------------------|---------|--------------------|------|
| TENNESSEE VALLEY AUTHORITY | | | | | |
| BROWNS FERRY NUCLEAR PLANT UNIT 3 | | | | | |
| RISK INFORMED SEGMENT BOUNDARY RAW COOLING WATER | | | | | |
| DRAWN: R.D. LOOSIER | | DATE: 7-14-2000 | | SCALE: NTS CADAM | |
| CHECKED: RLO | | APPROVED: [Signature] | | SHEET 01 OF 01 REV | |
| SUBMITTED: N/A | | | | 3-024-R11S1-03 000 | |
| CAD MAINTAINED DRAWING | | | | | CCD |

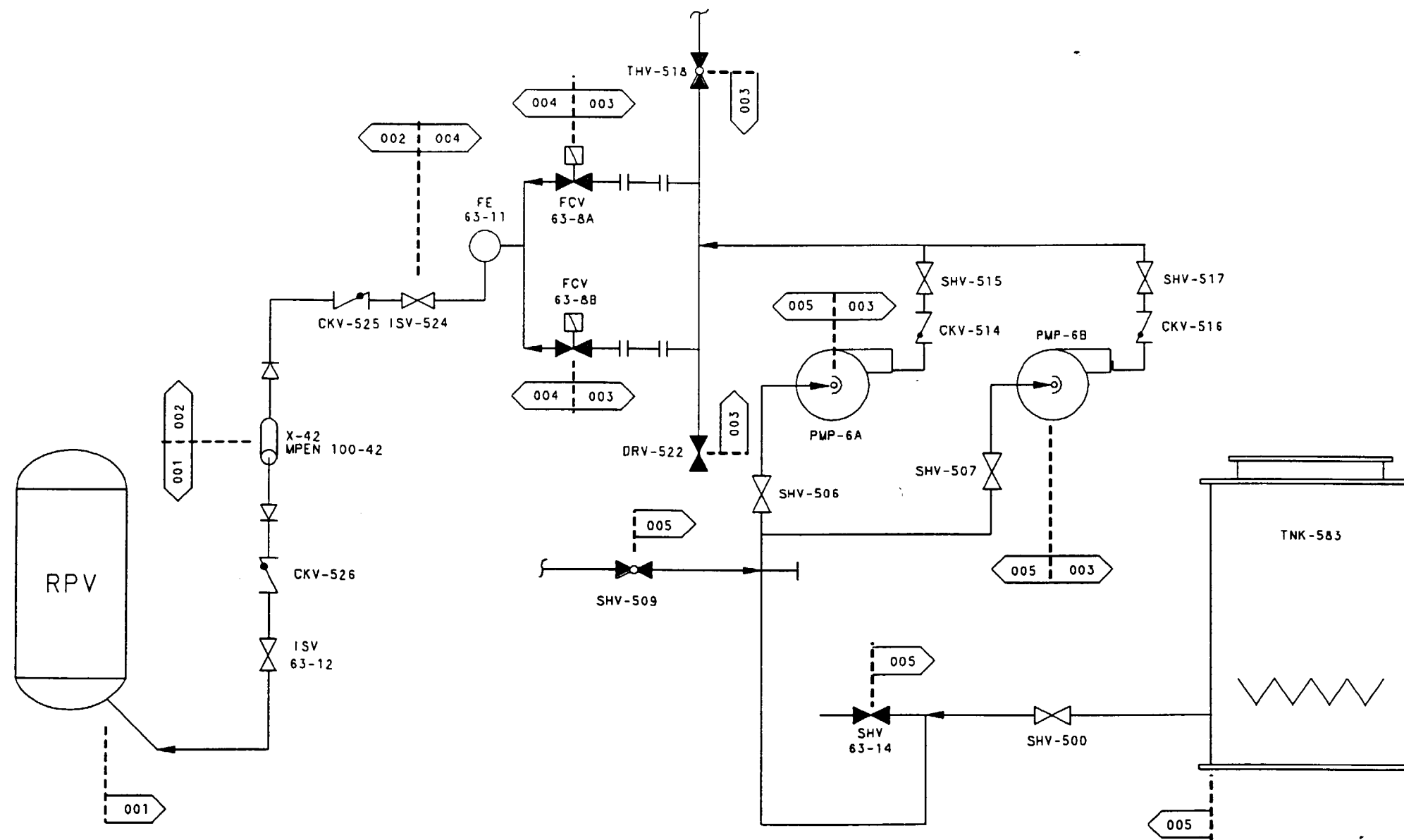


Information Only

NOTES:

1. Risk Informed Segment Boundary numbers are prefixed with 2-027- unless otherwise noted.
2. This sketch is for information only. It may not represent the current plant configuration.

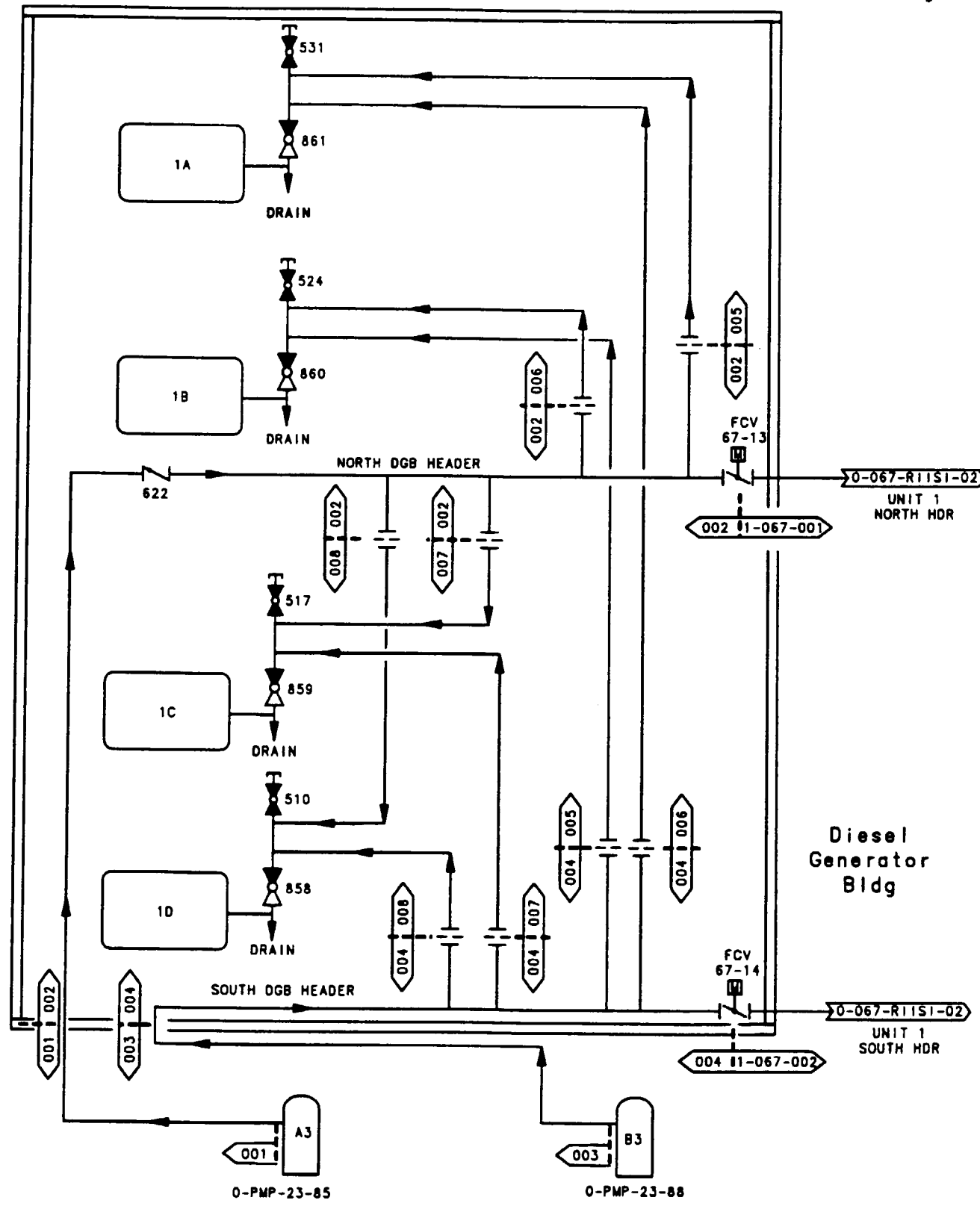
| REV | CHANGE REF | PREPARER | CHECKER | APPROVED | DATE |
|---|------------|-----------|---------|--------------------|------|
| TENNESSEE VALLEY AUTHORITY | | | | | |
| BROWNS FERRY NUCLEAR PLANT UNIT 2 | | | | | |
| RISK INFORMED SEGMENT BOUNDARY CONDENSER CIRCULATING WATER | | | | | |
| DRAWN: RG PHILLIPS | | DATE: | | SCALE: NTS CADAM | |
| CHECKED: RD DOUGLASS | | APPROVED: | | SHEET 01 OF 01 REV | |
| SUBMITTED: N/A | | HEM | | 2-027-RIISI-01 000 | |
| CAD MAINTAINED DRAWING | | | | CCD | |



- NOTES:
1. Risk Informed Segment Boundary numbers are prefixed with 2-063- unless otherwise noted.
 2. This sketch is for information only. It may not represent the current plant configuration.

Information Only

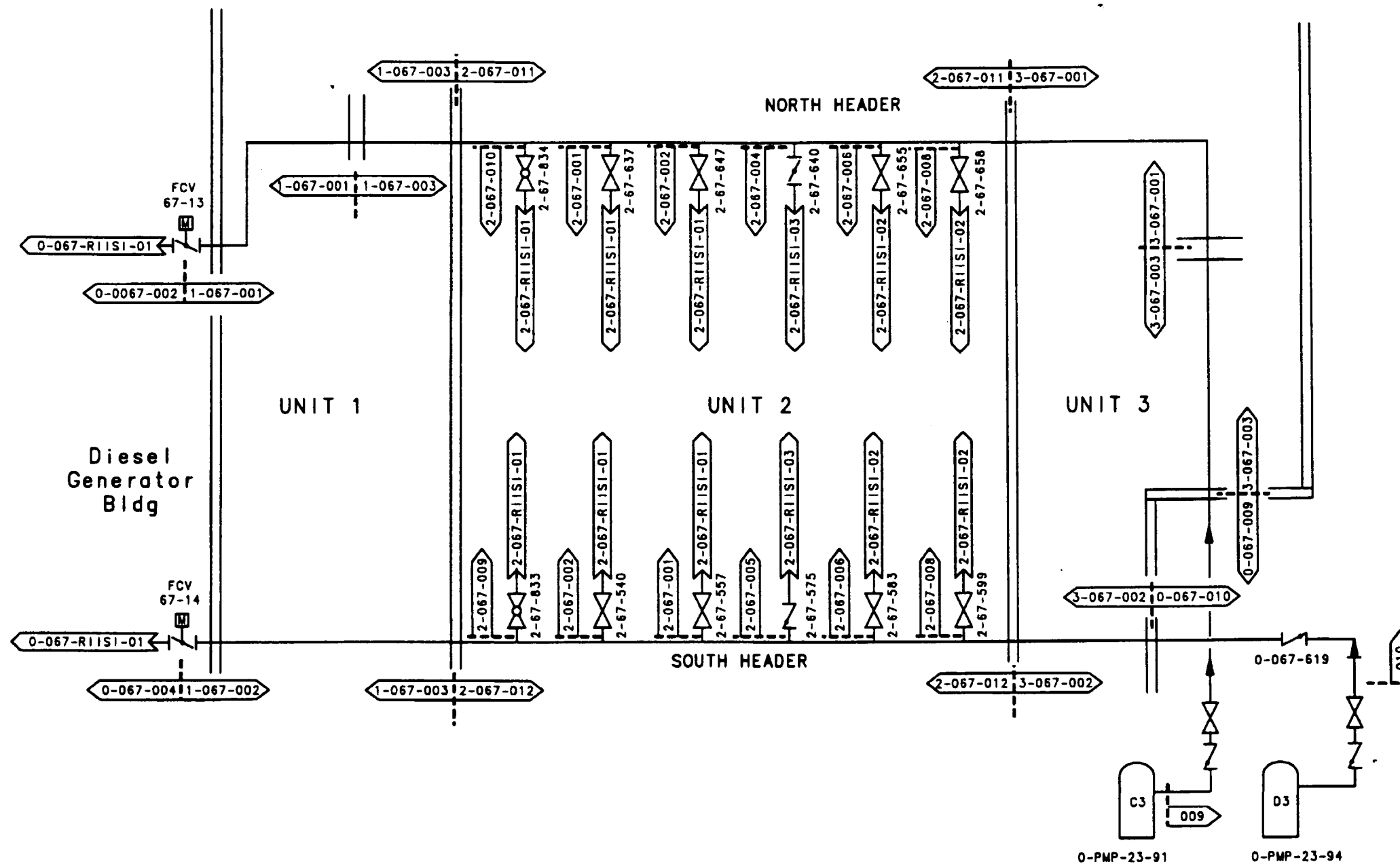
| REV | CHANGE REF | PREPARER | CHECKER | APPROVED | DATE |
|--|------------|---------------|---------|----------------|-------|
| TENNESSEE VALLEY AUTHORITY | | | | | |
| BROWNS FERRY NUCLEAR PLANT UNIT 2 | | | | | |
| RISK INFORMED SEGMENT BOUNDARY STANDBY LIQUID CONTROL | | | | | |
| DRAWN: RG PHILLIPS | | DATE: | | SCALE: NTS | CADAM |
| CHECKED: RD DOUGLASS | | APPROVED: HEM | | SHEET 01 OF 01 | REV |
| SUBMITTED: N/A | | | | 2-063-RIISI-01 | 000 |
| CAD MAINTAINED DRAWING | | | | | CCD |



Information Only

- NOTES:
1. Risk Informed Segment Boundary numbers are prefixed with 0-067- unless otherwise noted.
 2. This sketch is for information only. It may not represent the current plant configuration.

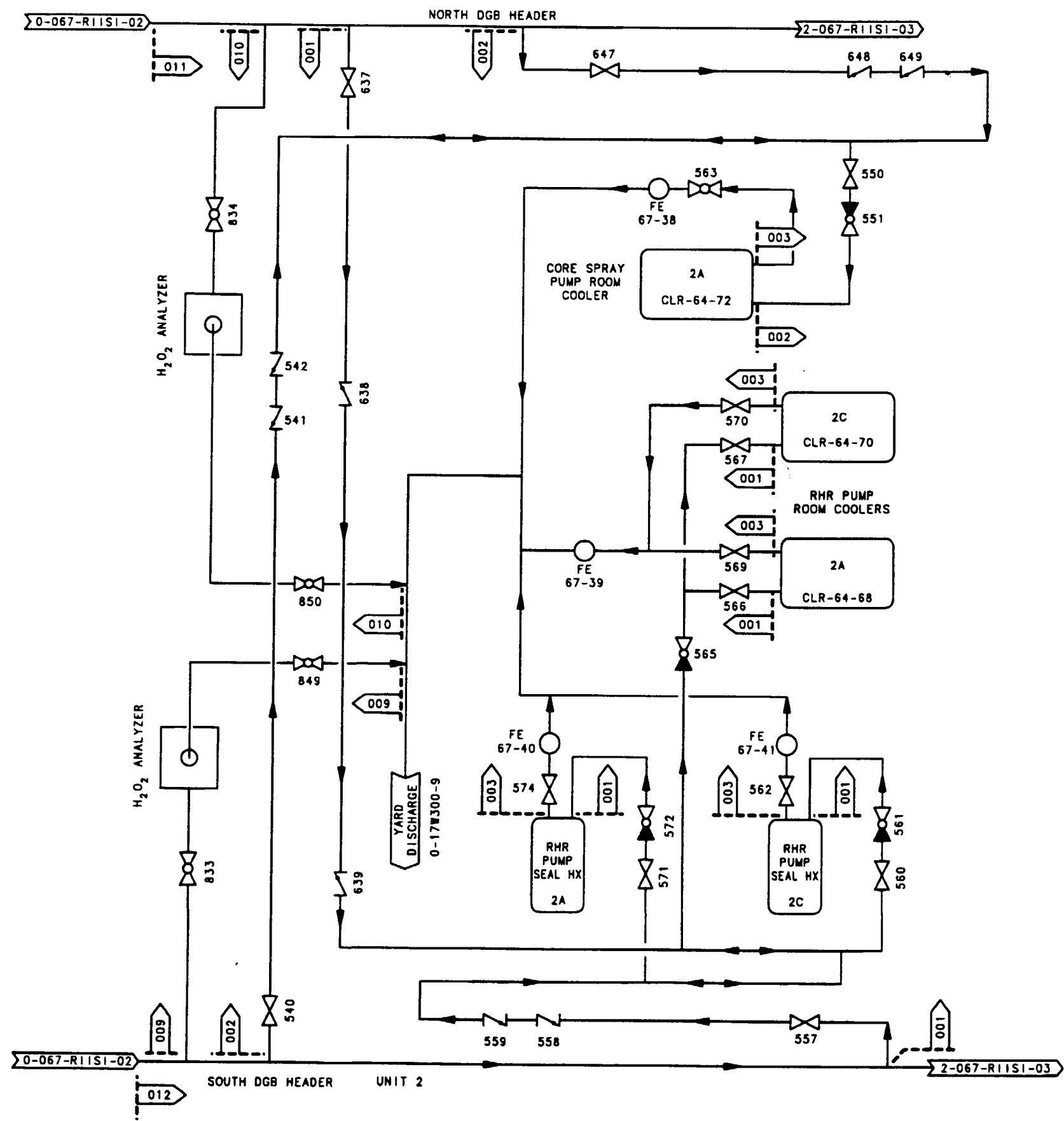
| REV | CHANGE REF | PREPARER | CHECKER | APPROVED | DATE |
|---|-----------------------|----------------|---------|----------|------|
| TENNESSEE VALLEY AUTHORITY | | | | | |
| BROWNS FERRY NUCLEAR PLANT UNIT 0 | | | | | |
| RISK INFORMED SEGMENT BOUNDARY EMERGENCY EQUIPMENT COOLING WATER | | | | | |
| DRAWN: R.D. LOOSIER | DATE: 7-14-2000 | SCALE: NYS | CADAM | | |
| CHECKED: WCH | APPROVED: [Signature] | SHEET 01 OF 01 | REV | | |
| SUBMITTED: N/A | | 0-067-RIISI-01 | 000 | | |
| CAD MAINTAINED DRAWING | | | | CCD | |



- NOTES:
1. Risk Informed Segment Boundary numbers are prefixed with 0-067- unless otherwise noted.
 2. This sketch is for information only. It may not represent the current plant configuration.

Information Only

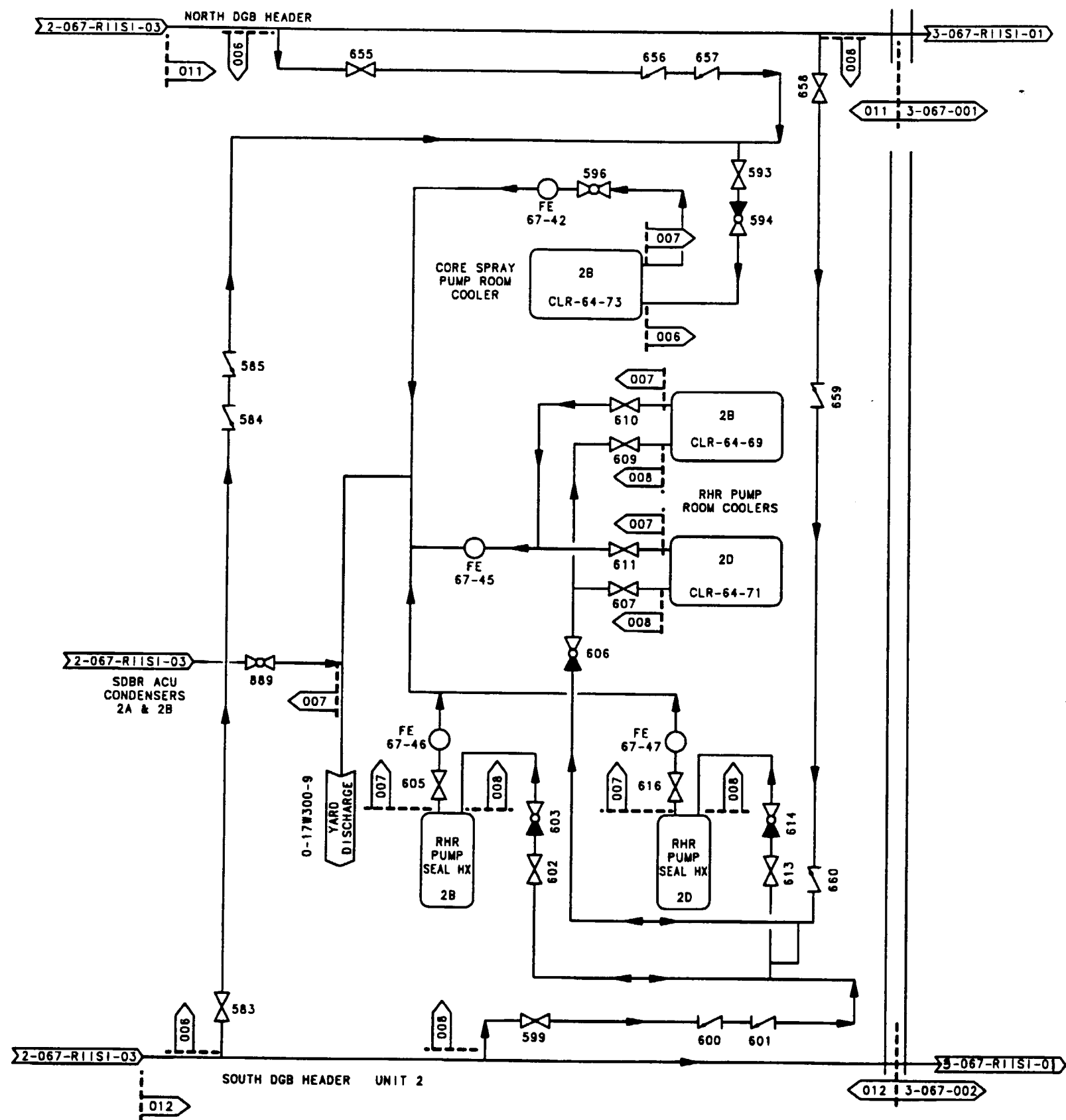
| REV | CHANGE REF | PREPARER | CHECKER | APPROVED | DATE |
|---|------------|-----------------------|---------|----------------|-------|
| TENNESSEE VALLEY AUTHORITY | | | | | |
| BROWNS FERRY NUCLEAR PLANT UNIT 0 RISK INFORMED SEGMENT BOUNDARY EMERGENCY EQUIPMENT COOLING WATER | | | | | |
| DRAWN: R.D. LOOSIER | | DATE: 7-14-2000 | | SCALE: NYS | CADAM |
| CHECKED: WCH | | APPROVED: [Signature] | | SHEET 01 OF 01 | REV |
| SUBMITTED: NA | | | | 0-067-RIISI-02 | 000 |
| CAD MAINTAINED DRAWING | | | | | CCD |



Information Only

- NOTES:
1. Risk Informed Segment Boundary numbers are prefixed with 2-067- unless otherwise noted.
 2. This sketch is for information only. It may not represent the current plant configuration.

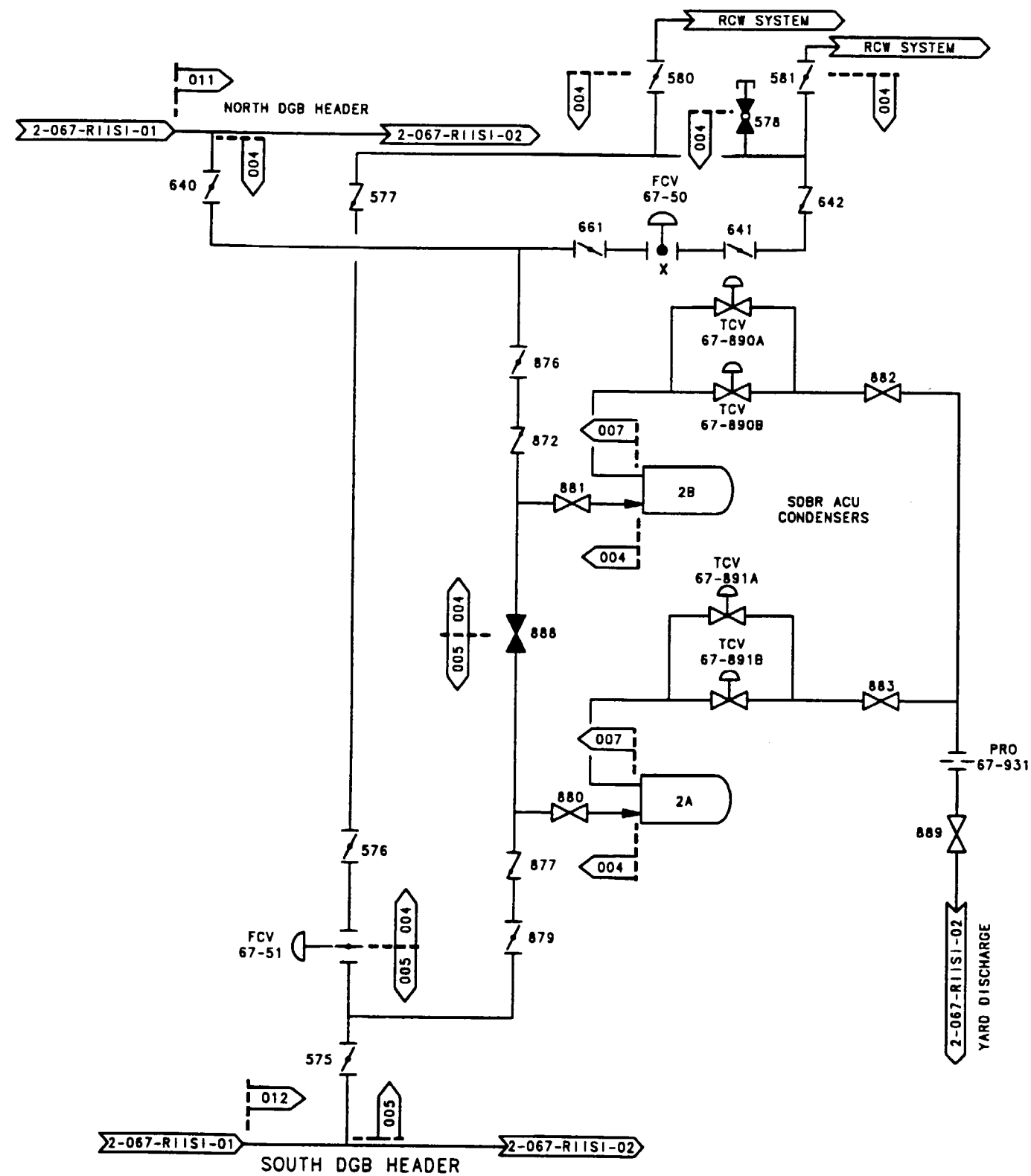
| REV | CHANGE REF | PREPARER | CHECKER | APPROVED | DATE |
|--|------------|-----------------------|---------|--------------------|------|
| TENNESSEE VALLEY AUTHORITY | | | | | |
| BROWNS FERRY NUCLEAR PLANT | | | | | |
| UNIT 2 | | | | | |
| RISK INFORMED SEGMENT BOUNDARY | | | | | |
| EMERGENCY EQUIPMENT COOLING WATER | | | | | |
| DRAWN: R.D. LOOSIER | | DATE: 7-14-2000 | | SCALE: NYS CADAM | |
| CHECKED: WCH | | APPROVED: [Signature] | | SHEET 01 OF 01 REV | |
| SUBMITTED: N/A | | | | 2-067-RIISI-01 000 | |
| CAD MAINTAINED DRAWING | | | | | CCD |



Information Only

- NOTES:
1. Risk Informed Segment Boundary numbers are prefixed with 2-067- unless otherwise noted.
 2. This sketch is for information only. It may not represent the current plant configuration.

| REV | CHANGE REF | PREPARER | CHECKER | APPROVED | DATE |
|---|------------|-----------------------|---------|--------------------|------|
| TENNESSEE VALLEY AUTHORITY | | | | | |
| BROWNS FERRY NUCLEAR PLANT UNIT 2 | | | | | |
| RISK INFORMED SEGMENT BOUNDARY EMERGENCY EQUIPMENT COOLING WATER | | | | | |
| DRAWN: R.D. LOOSIER | | DATE: 7-14-2000 | | SCALE: NTS CADAM | |
| CHECKED: WCA | | APPROVED: [Signature] | | SHEET 01 OF 01 REV | |
| SUBMITTED: N/A | | | | 2-067-RIISI-02 000 | |
| CAD MAINTAINED DRAWING | | | | CCD | |

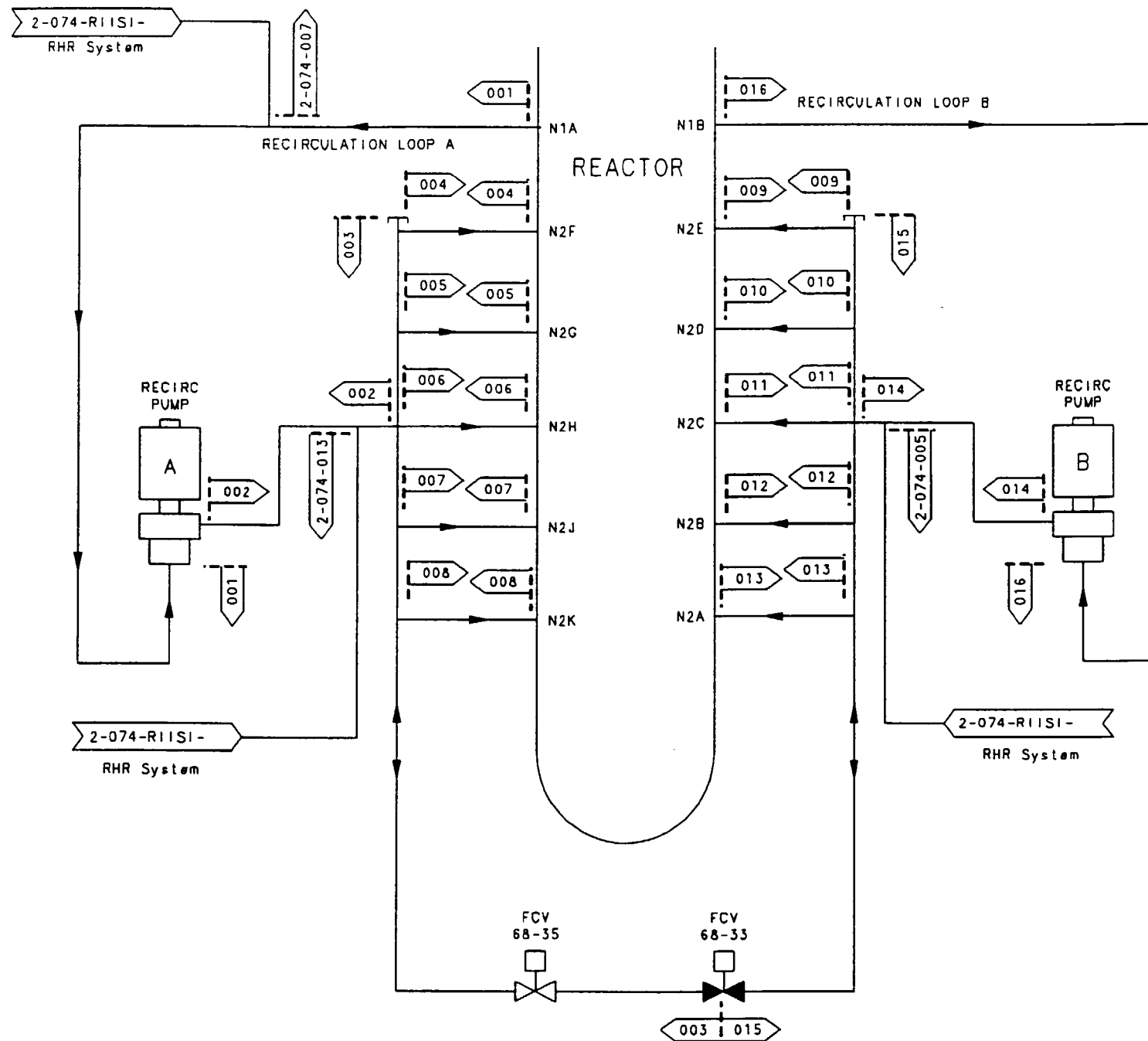


Information Only

NOTES:

1. Risk Informed Segment Boundary numbers are prefixed with 2-067- unless otherwise noted.
2. This sketch is for information only. It may not represent the current plant configuration.

| REV | CHANGE REF | PREPARER | CHECKER | APPROVED | DATE |
|---|------------|------------------------------|---------|--------------------|------|
| TENNESSEE VALLEY AUTHORITY | | | | | |
| BROWNS FERRY NUCLEAR PLANT UNIT 2 | | | | | |
| RISK INFORMED SEGMENT BOUNDARY EMERGENCY EQUIPMENT COOLING WATER | | | | | |
| DRAWN: R.D. LOOSTER | | DATE: 7-14-2000 | | SCALE: NYS CADAM | |
| CHECKED: WCH | | APPROVED: <i>[Signature]</i> | | SHEET 01 OF 01 | |
| SUBMITTED: N/A | | | | 2-067-RIISI-03 000 | |
| CAD MAINTAINED DRAWING | | | | | CCD |

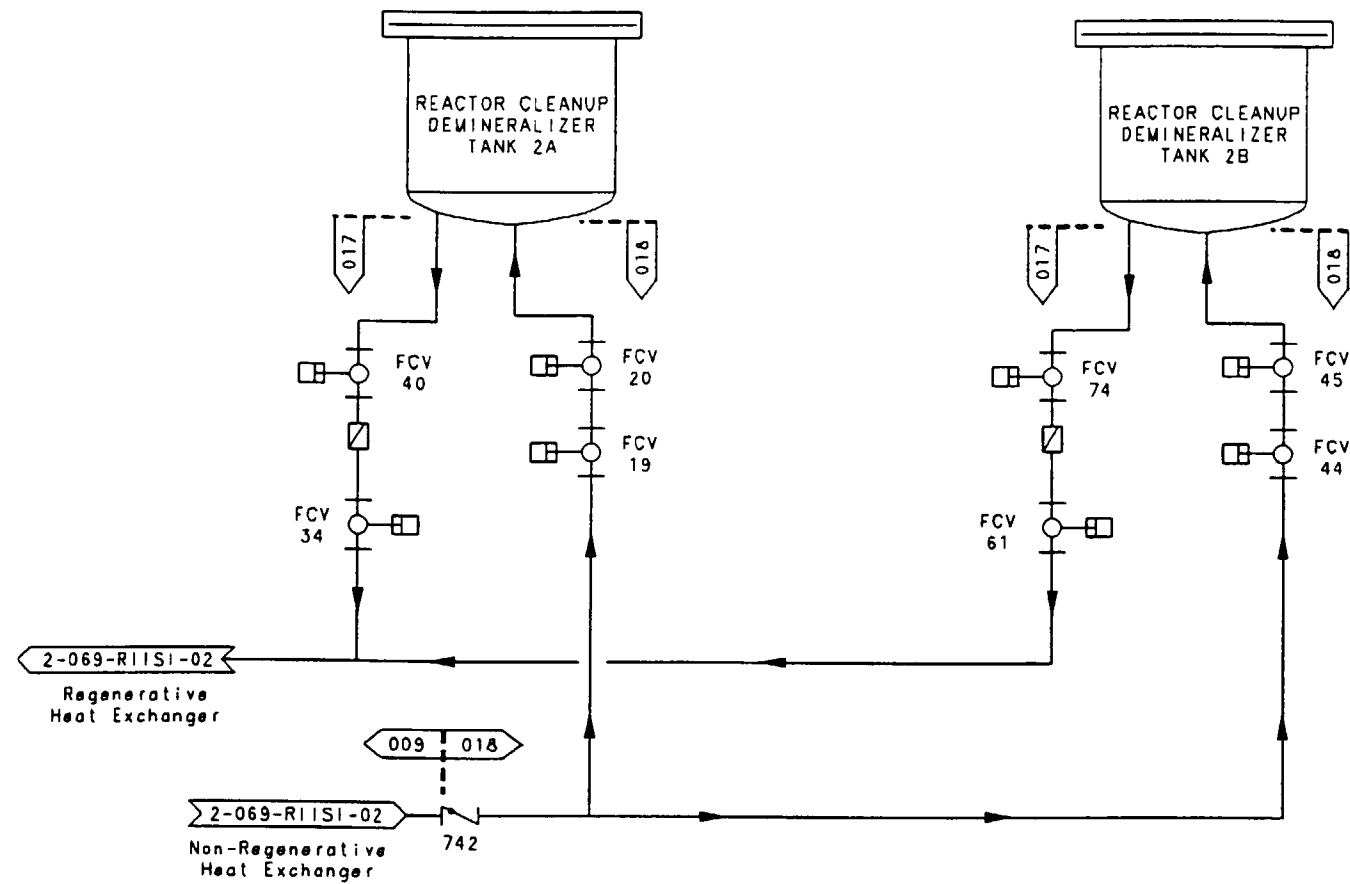


Information Only

NOTES:

1. Risk Informed Segment Boundary numbers are prefixed with 2-068-- unless otherwise noted.
2. This sketch is for information only. It may not represent the current plant configuration.

| REV | CHANGE REF | PREPARER | CHECKER | APPROVED | DATE |
|--|------------|-----------|---------|--------------------|------|
| TENNESSEE VALLEY AUTHORITY | | | | | |
| BROWNS FERRY NUCLEAR PLANT UNIT 2 | | | | | |
| RISK INFORMED SEGMENT BOUNDARY REAC WTR RECIRC, DR, VENTS & BLWDN SYS | | | | | |
| DRAWN: RG PHILLIPS | | DATE: | | SCALE: NTS CADAM | |
| CHECKED: RD DOUGLASS | | APPROVED: | | SHEET 01 OF 01 REV | |
| SUBMITTED: N/A | | MEH | | 2-068-RIISI-01 000 | |
| CAD MAINTAINED DRAWING | | | | CCD | |

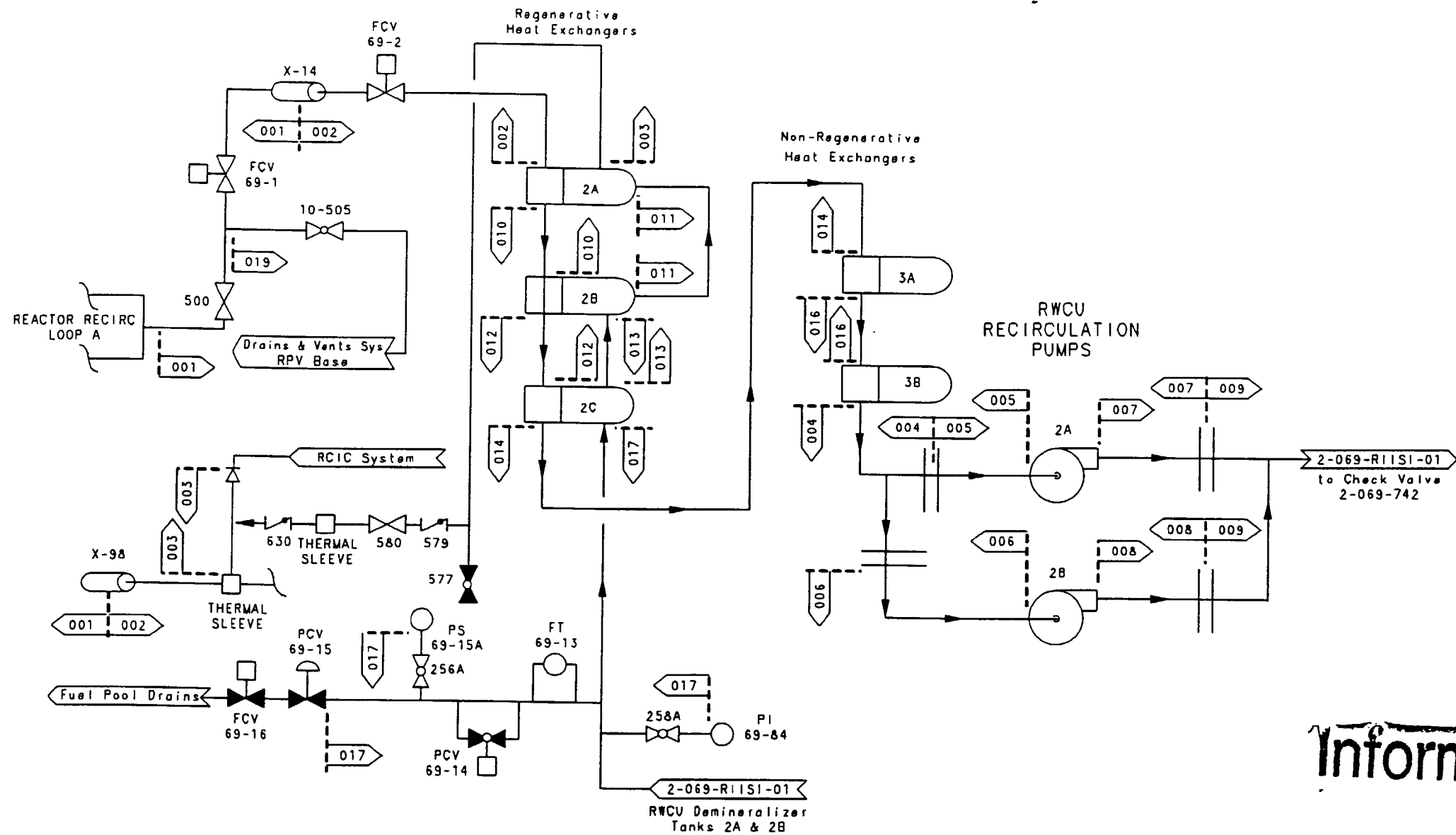


Information Only

NOTES:

1. Risk Informed Segment Boundary numbers are prefixed with 2-069- unless otherwise noted.
2. This sketch is for information only. It may not represent the current plant configuration.

| REV | CHANGE REF | PREPARER | CHECKER | APPROVED | DATE |
|---|------------|---------------|---------|----------------|-------|
| TENNESSEE VALLEY AUTHORITY | | | | | |
| BROWNS FERRY NUCLEAR PLANT UNIT 2 | | | | | |
| RISK INFORMED SEGMENT BOUNDARY REACTOR WATER CLEANUP DEMINERALIZER | | | | | |
| DRAWN: RC PHILLIPS | | DATE: | | SCALE: NTS | CADAM |
| CHECKED: RD DOUGLASS | | APPROVED: HEH | | SHEET 01 OF 01 | REV |
| SUBMITTED: N/A | | | | 2-069-R11S1-01 | 000 |
| CAD MAINTAINED DRAWING | | | | | CCD |

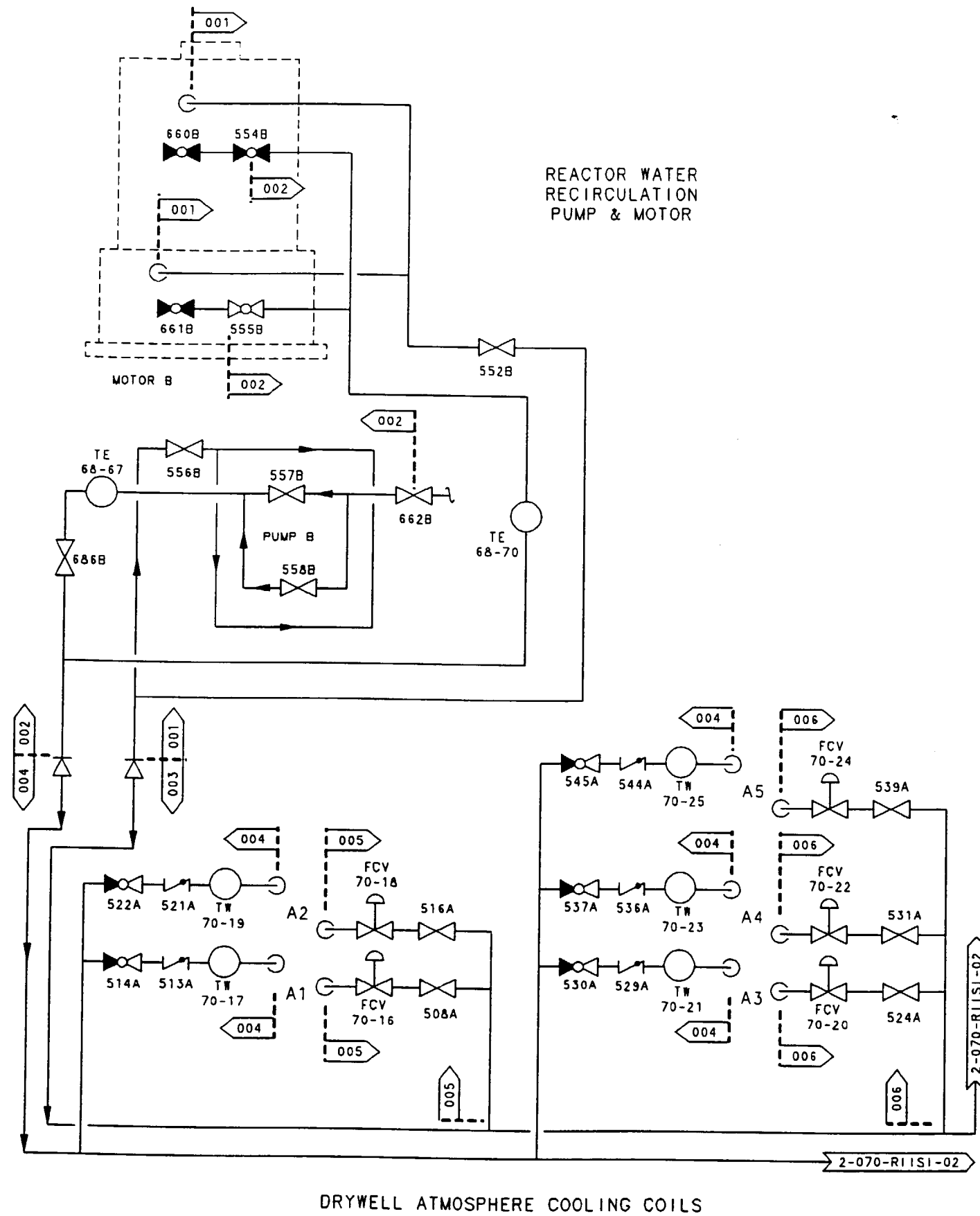


Information Only

NOTES:

1. Risk Informed Segment Boundary numbers are prefixed with 2-069- unless otherwise noted.
2. This sketch is for information only. It may not represent the current plant configuration.

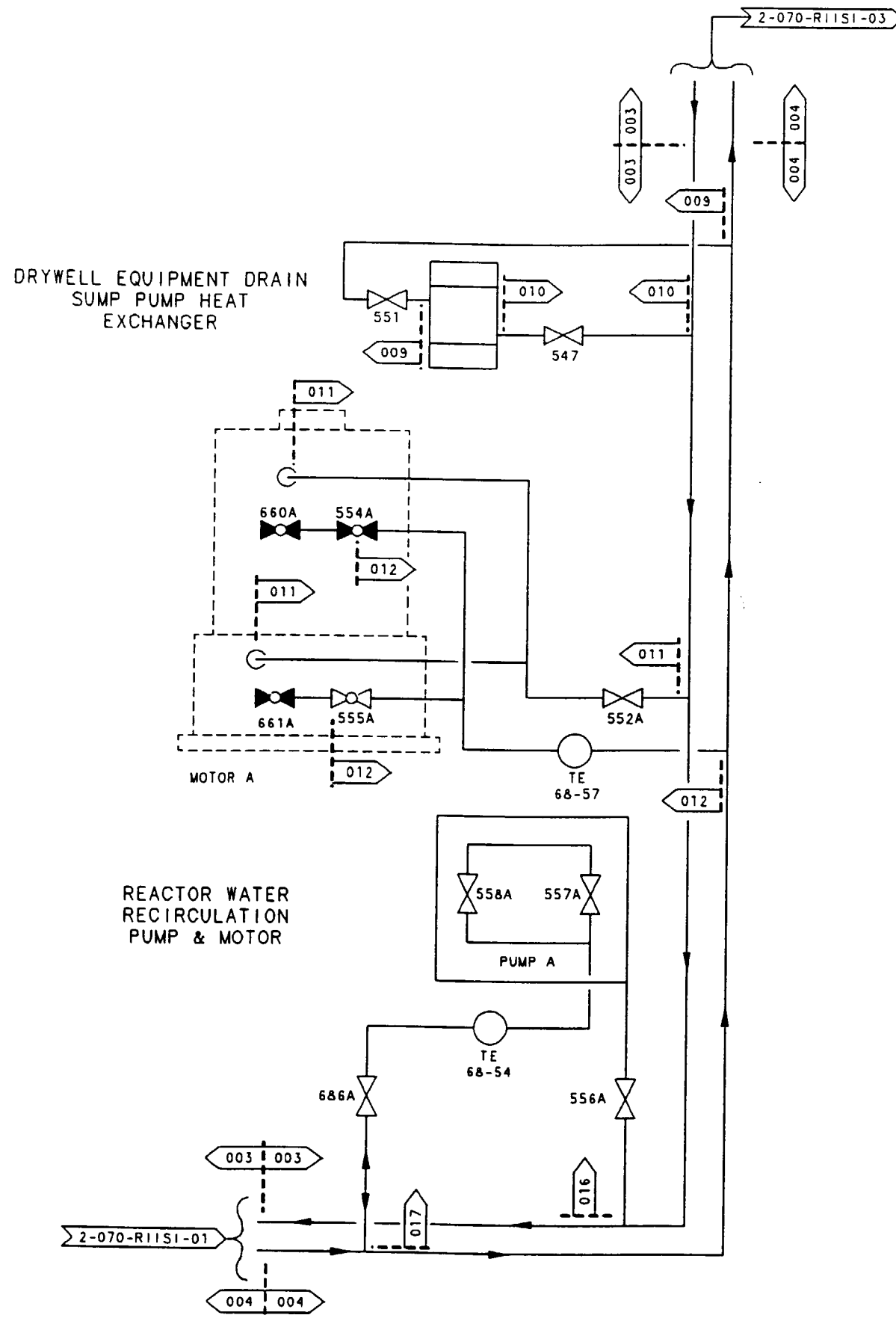
| REV | CHANGE REF | PREPARER | CHECKER | APPROVED | DATE |
|---|------------|-----------|---------|--------------------|------|
| TENNESSEE VALLEY AUTHORITY | | | | | |
| BROWNS FERRY NUCLEAR PLANT UNIT 2 | | | | | |
| RISK INFORMED SEGMENT BOUNDARY REACTOR WATER CLEANUP | | | | | |
| DRAWN: RG PHILLIPS | | DATE: | | SCALE: NTS CADAM | |
| CHECKED: RD DOUGLASS | | APPROVED: | | SHEET 01 OF 01 REV | |
| SUBMITTED: N/A | | MEH | | 2-069-RIISI-02 000 | |
| CAD MAINTAINED DRAWING | | | | CCD | |



Information Only

- NOTES:
1. Risk Informed Segment Boundary numbers are prefixed with 2-070- unless otherwise noted.
 2. This sketch is for information only. It may not represent the current plant configuration.

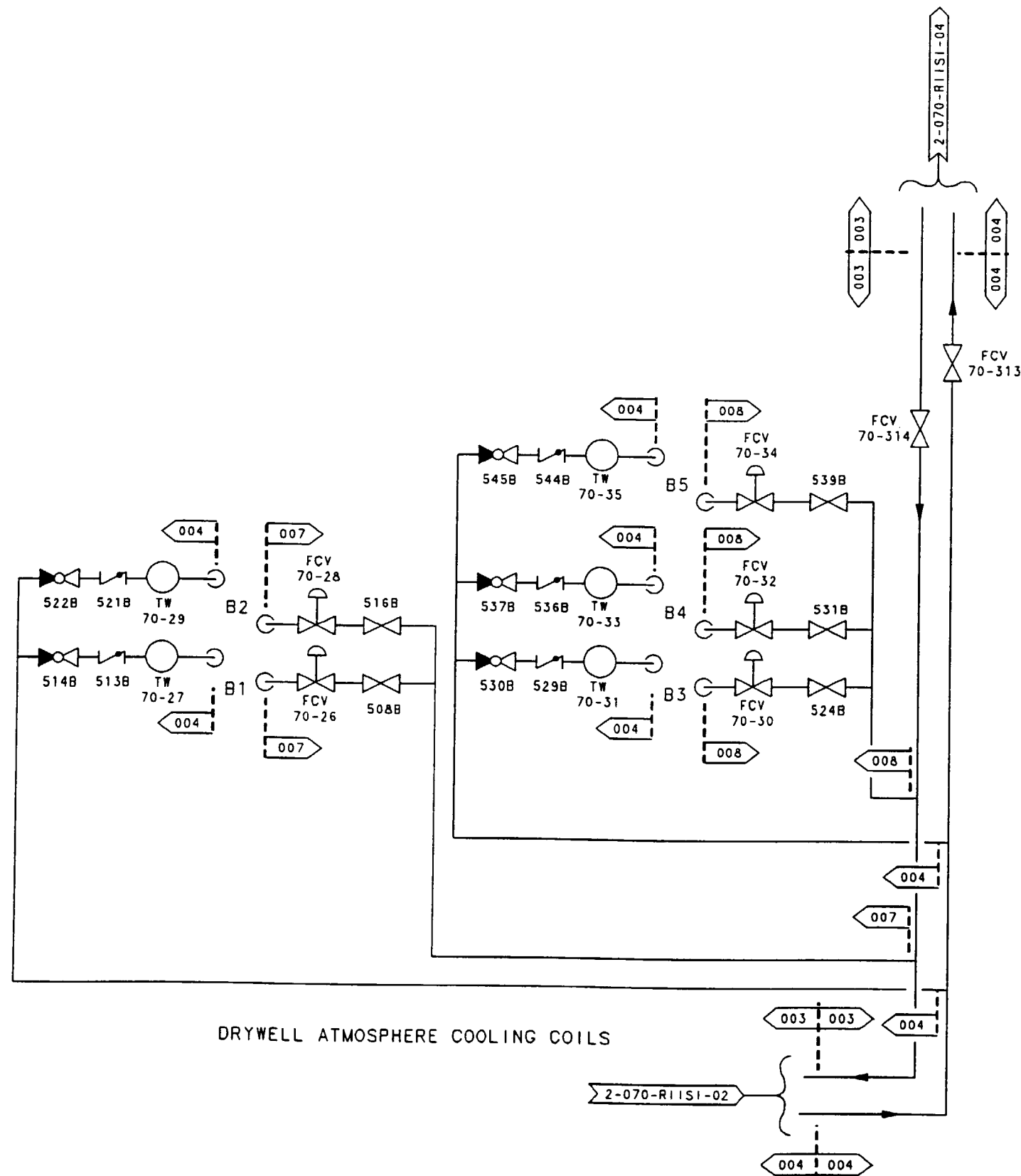
| REV | CHANGE REF | PREPARER | CHECKER | APPROVED | DATE |
|---|------------|-----------|---------|----------------|------|
| TENNESSEE VALLEY AUTHORITY | | | | | |
| BROWNS FERRY NUCLEAR PLANT UNIT 2 | | | | | |
| RISK INFORMED SEGMENT BOUNDARY REACTOR BLDG CLOSED COOLING WATER | | | | | |
| DRAWN: RG PHILLIPS | | DATE: | | SCALE: NTS | |
| CHECKED: RD DOUGLASS | | APPROVED: | | SHEET 01 OF 01 | |
| SUBMITTED: N/A | | MEM | | 2-070-RIISI-01 | |
| CAD MAINTAINED DRAWING | | | | CCD | |



Information Only

- NOTES:
1. Risk Informed Segment Boundary numbers are prefixed with 2-070-+ unless otherwise noted.
 2. This sketch is for information only. It may not represent the current plant configuration.

| REV | CHANGE REF | PREPARER | CHECKER | APPROVED | DATE |
|---|------------|-----------|---------|--------------------|------|
| TENNESSEE VALLEY AUTHORITY | | | | | |
| BROWNS FERRY NUCLEAR PLANT UNIT 2 | | | | | |
| RISK INFORMED SEGMENT BOUNDARY REACTOR BLDG CLOSED COOLING WATER | | | | | |
| DRAWN: RC PHILLIPS | | DATE: | | SCALE: NTS CADAM | |
| CHECKED: RD DOUGLASS | | APPROVED: | | SHEET 01 OF 01 REV | |
| SUBMITTED: N/A | | HEH | | 2-070-R11S1-02 000 | |
| CAD MAINTAINED DRAWING | | | | CCD | |

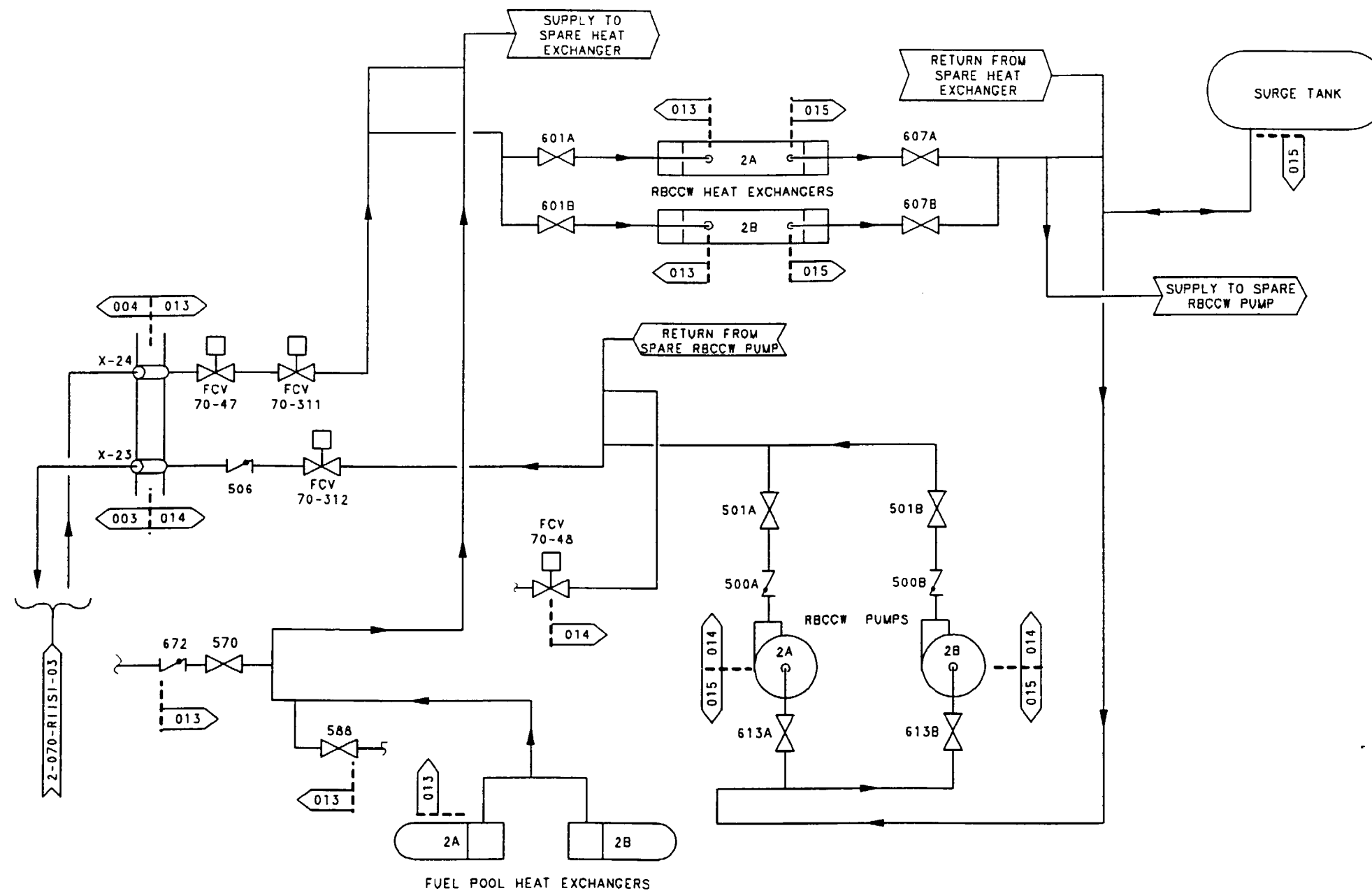


Information Only

NOTES:

1. Risk Informed Segment Boundary numbers are prefixed with 2-070- unless otherwise noted.
2. This sketch is for information only. It may not represent the current plant configuration.

| REV | CHANGE REF | PREPARER | CHECKER | APPROVED | DATE |
|---|------------|-----------|---------|----------------|-------|
| TENNESSEE VALLEY AUTHORITY | | | | | |
| BROWNS FERRY NUCLEAR PLANT UNIT 2 | | | | | |
| RISK INFORMED SEGMENT BOUNDARY REACTOR BLDG CLOSED COOLING WATER | | | | | |
| DRAWN: RG PHILLIPS | | DATE: | | SCALE: NTS | CADAM |
| CHECKED: RD DOUGLASS | | APPROVED: | | SHEET 01 OF 01 | REV |
| SUBMITTED: N/A | | MEH | | 2-070-RIISI-03 | 000 |
| CAD MAINTAINED DRAWING | | | | | CCD |

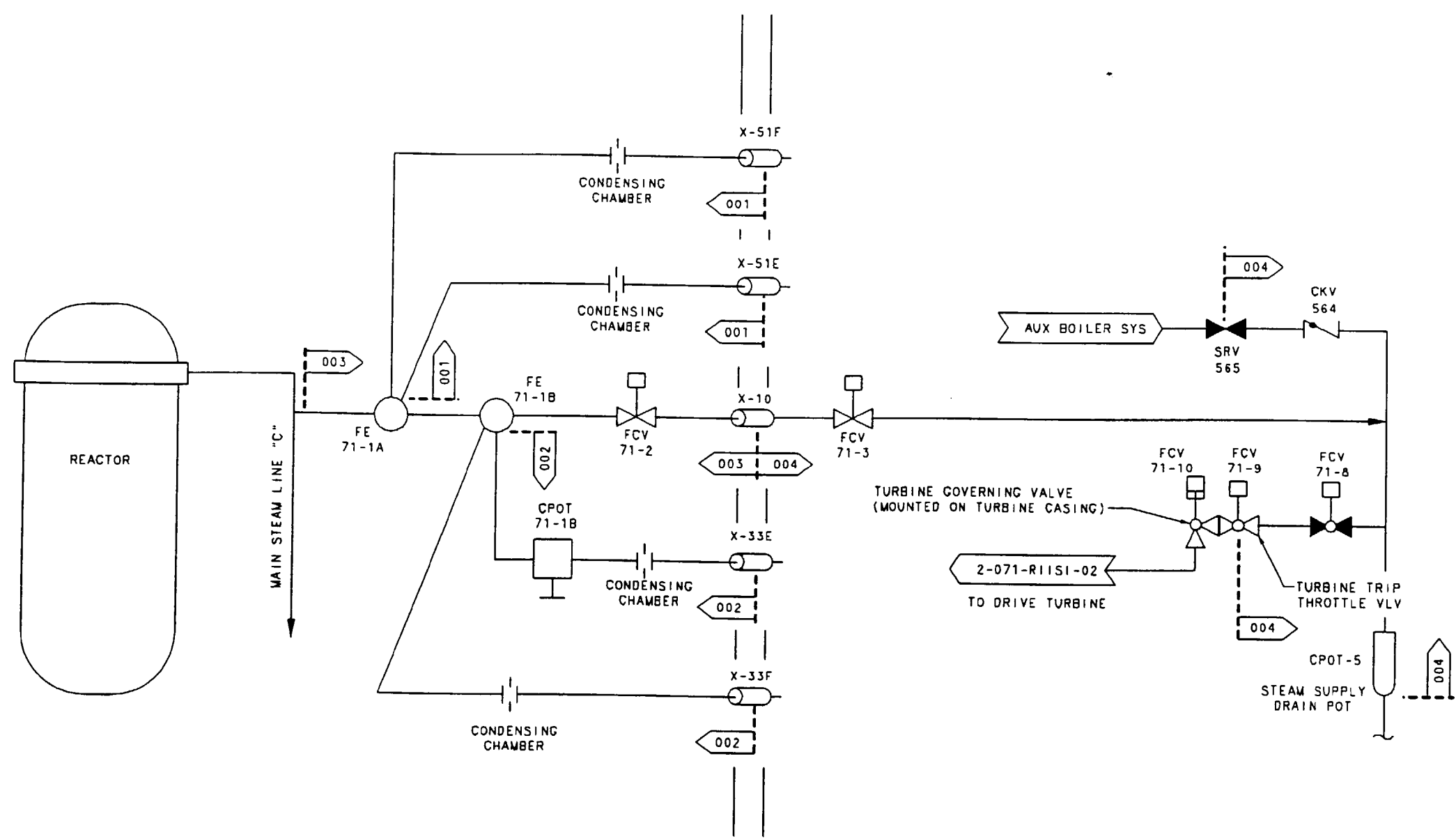


Information Only

NOTES:

1. Risk Informed Segment Boundary numbers are prefixed with 2-070- unless otherwise noted.
2. This sketch is for information only. It may not represent the current plant configuration.

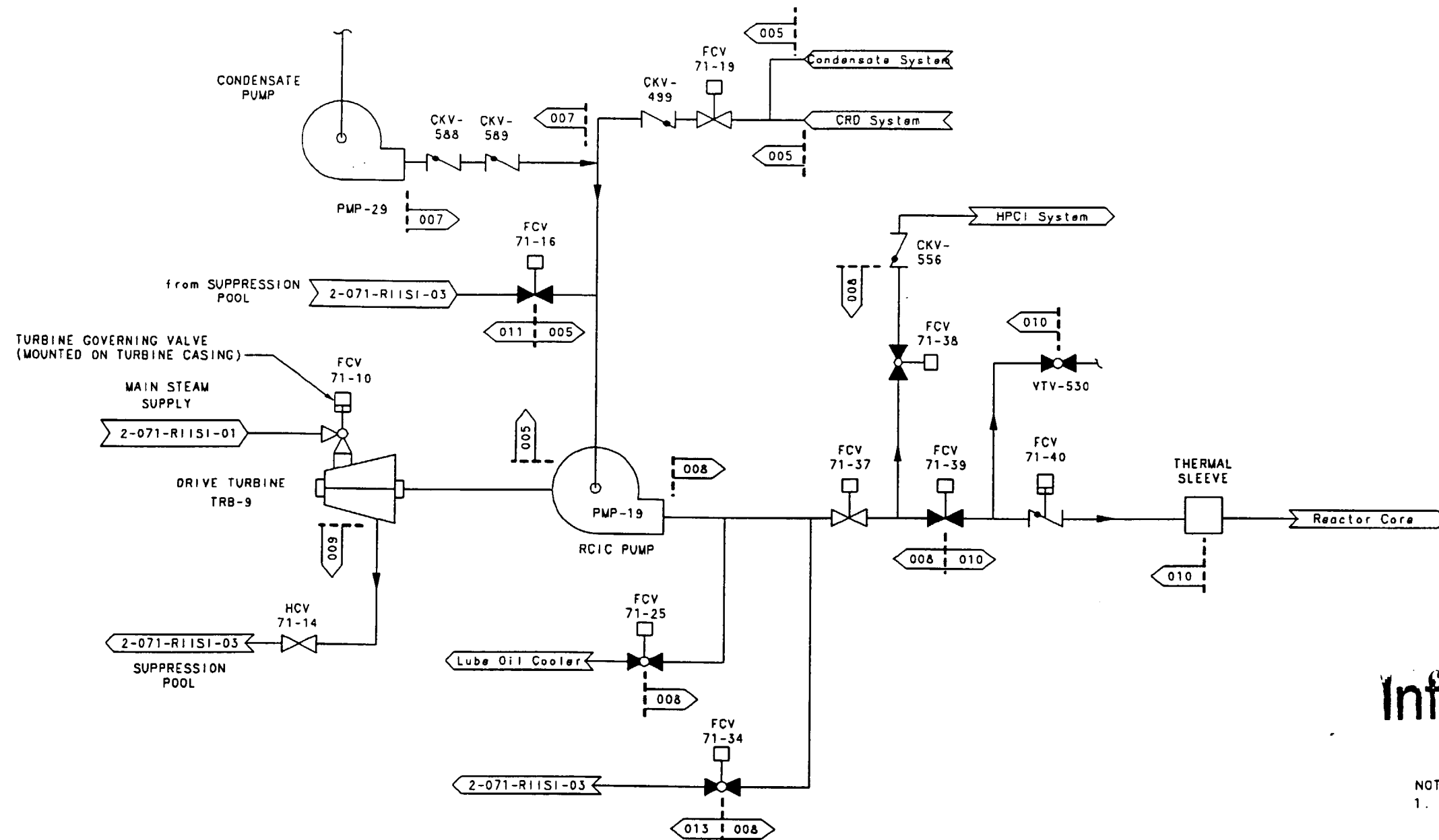
| REV | CHANGE REF | PREPARER | CHECKER | APPROVED | DATE |
|---|------------|-----------|---------|----------------|------|
| TENNESSEE VALLEY AUTHORITY | | | | | |
| BROWNS FERRY NUCLEAR PLANT UNIT 2 | | | | | |
| RISK INFORMED SEGMENT BOUNDARY REACTOR BLDG CLOSED COOLING WATER | | | | | |
| DRAWN: RG PHILLIPS | | DATE: | | SCALE: NTS | |
| CHECKED: RD DOUGLASS | | APPROVED: | | SHEET 01 OF 01 | |
| SUBMITTED: N/A | | HEM | | 2-070-RIISI-04 | |
| | | | | | 000 |
| CAD MAINTAINED DRAWING | | | | | CCD |



Information Only

- NOTES:
1. Risk Informed Segment Boundary numbers are prefixed with 2-071- unless otherwise noted.
 2. This sketch is for information only. It may not represent the current plant configuration.

| REV | CHANGE REF | PREPARER | CHECKER | APPROVED | DATE |
|--|------------|---------------|---------|----------------|-------|
| TENNESSEE VALLEY AUTHORITY | | | | | |
| BROWNS FERRY NUCLEAR PLANT UNIT 2 | | | | | |
| RISK INFORMED SEGMENT BOUNDARY REACTOR CORE ISOLATION COOLING | | | | | |
| DRAWN: R.D. LOOSIER | | DATE: | | SCALE: NTS | CADAM |
| CHECKED: RD DOUGLASS | | APPROVED: HEH | | SHEET 01 OF 01 | REV |
| SUBMITTED: N/A | | | | 2-071-RIISI-01 | 000 |
| CAD MAINTAINED DRAWING | | | | CCD | |



Information Only

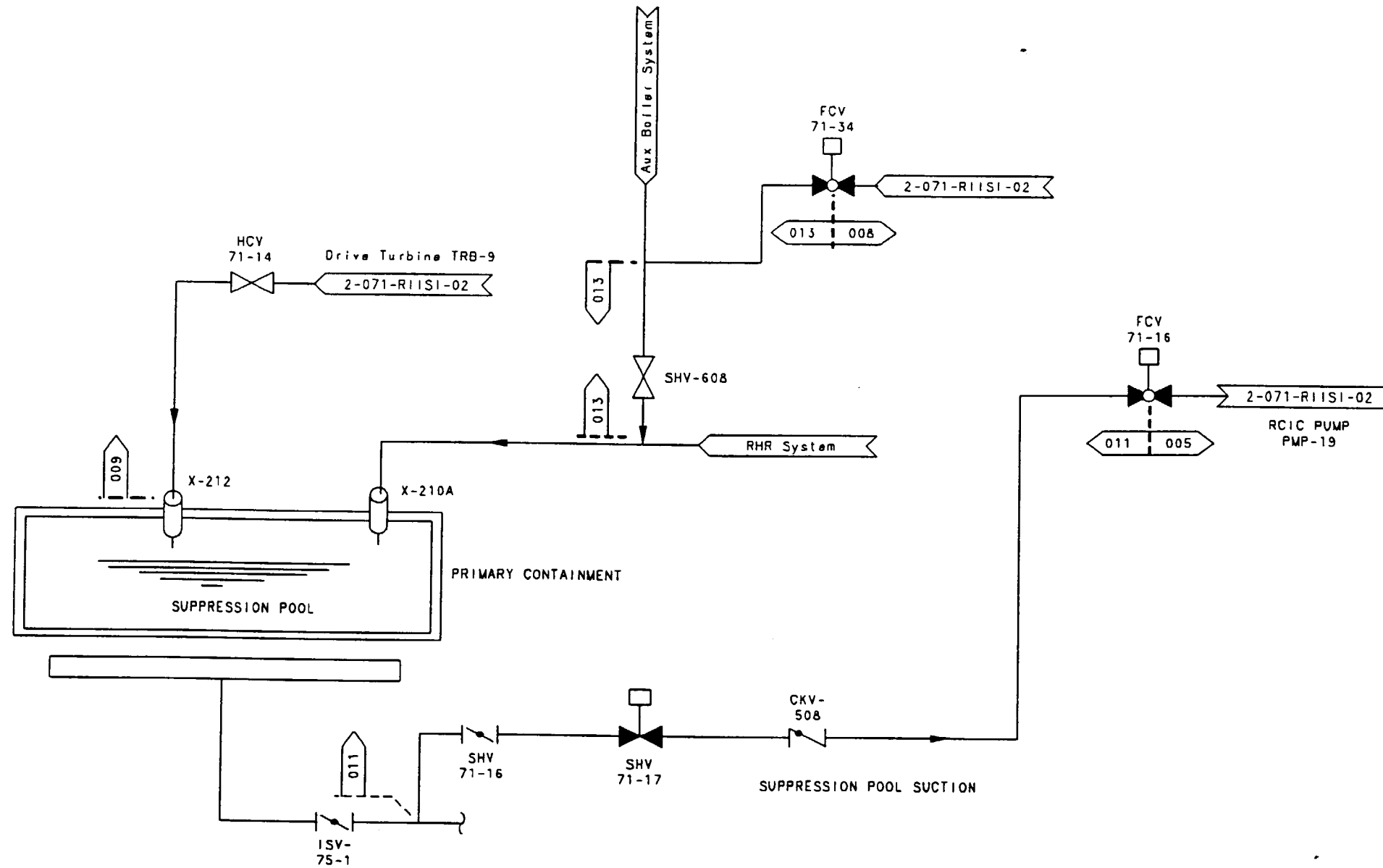
NOTES:

1. Risk Informed Segment Boundary numbers are prefixed with 2-071- unless otherwise noted.
2. This sketch is for information only. It may not represent the current plant configuration.

| REV | CHANGE REF | PREPARER | CHECKER | APPROVED | DATE |
|--|------------|-----------|---------|----------------|-------|
| TENNESSEE VALLEY AUTHORITY | | | | | |
| BROWNS FERRY NUCLEAR PLANT UNIT 2 | | | | | |
| RISK INFORMED SEGMENT BOUNDARY REACTOR CORE ISOLATION COOLING | | | | | |
| DRAWN: R.D. LOOSIER | | DATE: | | SCALE: NTS | CADAM |
| CHECKED: RD DOUGLASS | | APPROVED: | | SHEET 01 OF 01 | REV |
| SUBMITTED: N/A | | MEH | | 2-071-RIISI-02 | 000 |

CAD MAINTAINED DRAWING

CCD

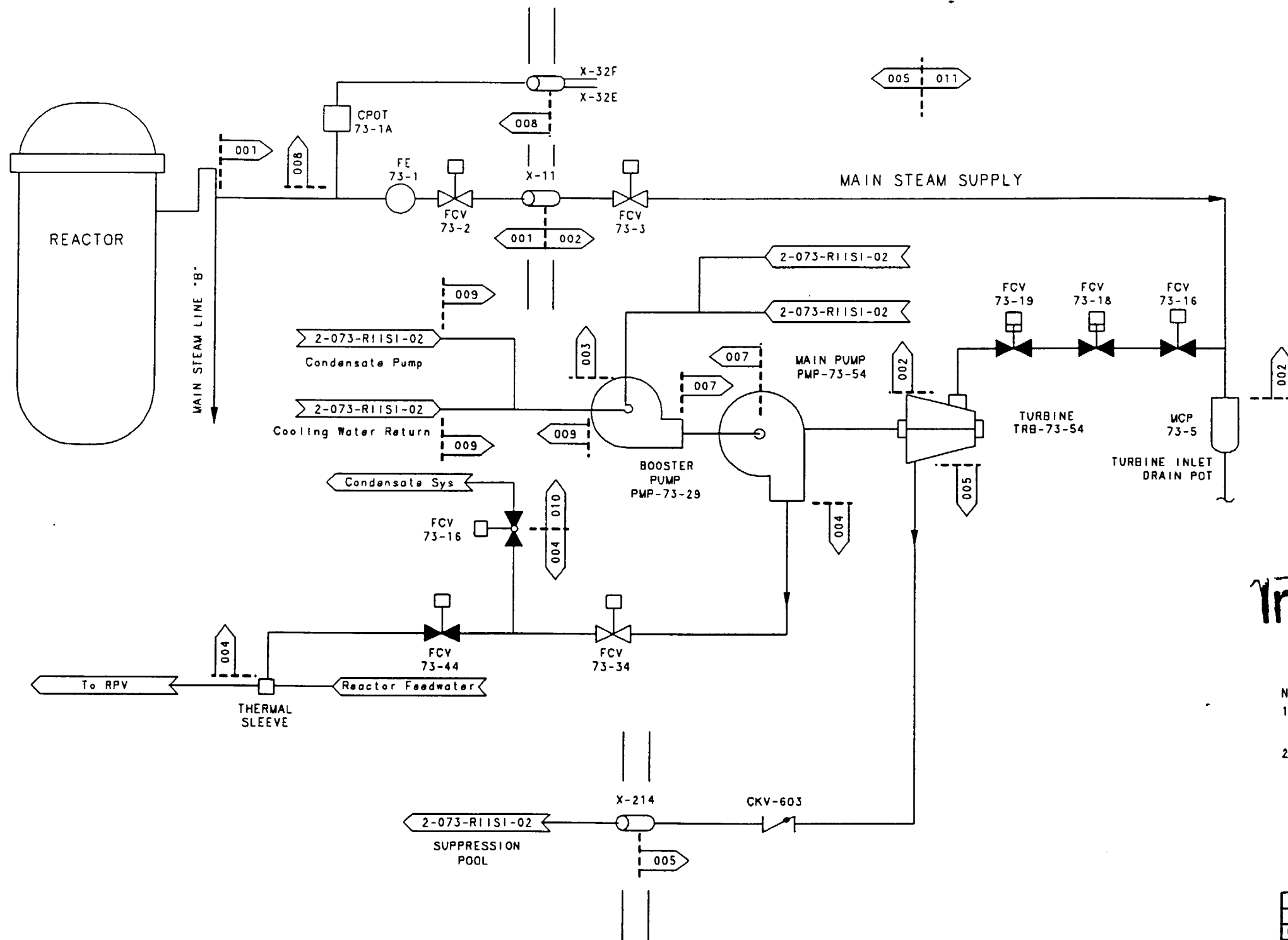


Information Only

NOTES:

1. Risk Informed Segment Boundary numbers are prefixed with 2-071- unless otherwise noted.
2. This sketch is for information only. It may not represent the current plant configuration.

| REV | CHANGE REF | PREPARER | CHECKER | APPROVED | DATE |
|--|------------|-----------|---------|----------------|-------|
| TENNESSEE VALLEY AUTHORITY | | | | | |
| BROWNS FERRY NUCLEAR PLANT UNIT 2 RISK INFORMED SEGMENT BOUNDARY REACTOR CORE ISOLATION COOLING | | | | | |
| DRAWN: R.D. LOOSIER | | DATE: | | SCALE: NTS | CADAM |
| CHECKED: RD DOUGLASS | | APPROVED: | | SHEET 01 OF 01 | REV |
| SUBMITTED: N/A | | MEH | | 2-071-R11S1-03 | 000 |
| CAD MAINTAINED DRAWING | | | | | CCD |

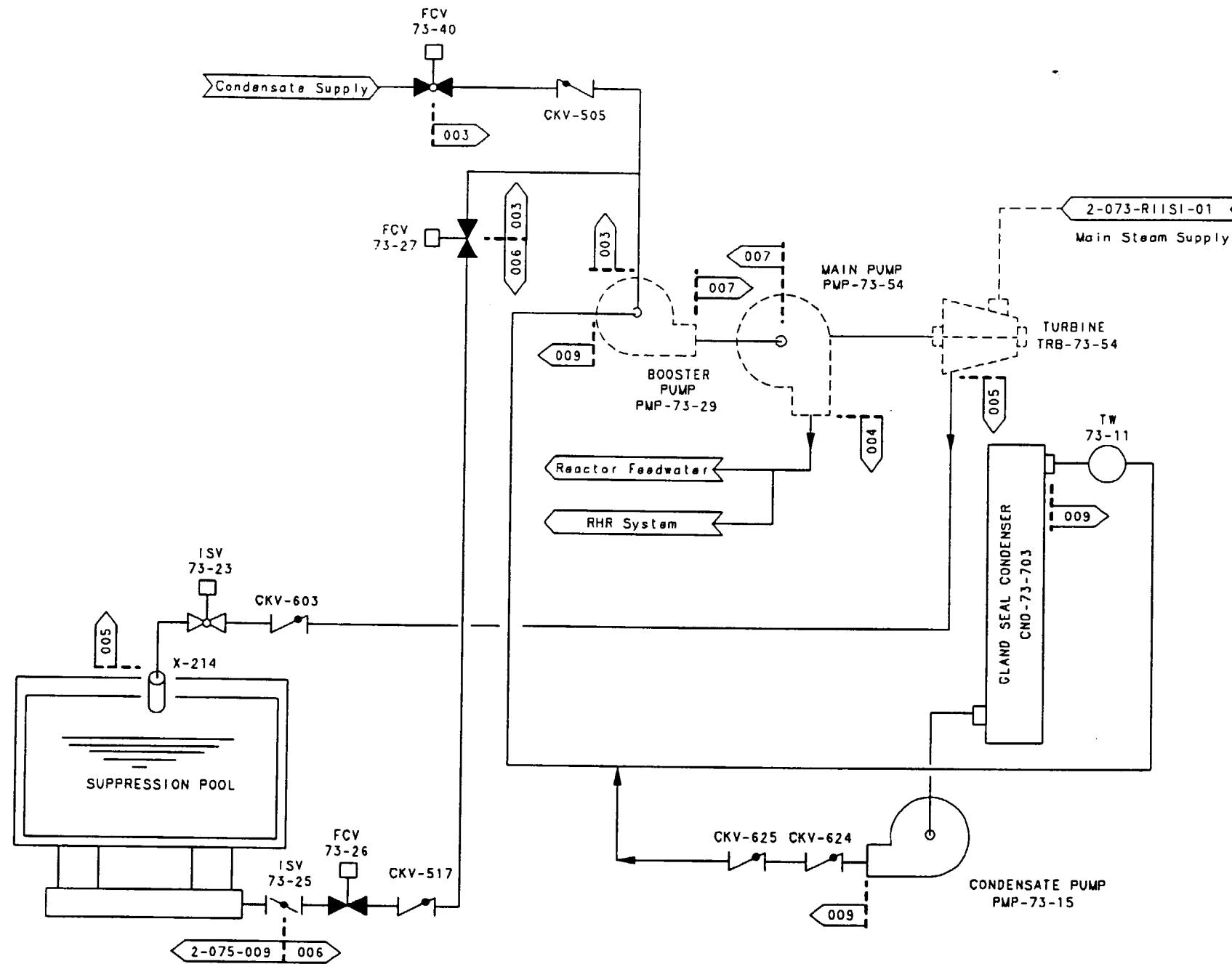


Information Only

NOTES:

1. Risk Informed Segment Boundary numbers are prefixed with 2-073- unless otherwise noted.
2. This sketch is for information only. It may not represent the current plant configuration.

| REV | CHANGE REF | PREPARED | CHECKER | APPROVED | DATE |
|---|------------|-----------|---------|----------------|-------|
| TENNESSEE VALLEY AUTHORITY | | | | | |
| BROWNS FERRY NUCLEAR PLANT UNIT 2 | | | | | |
| RISK INFORMED SEGMENT BOUNDARY HIGH PRESSURE COOLANT INJECTION | | | | | |
| DRAWN: R.D. LOOSIER | | DATE: | | SCALE: NTS | CADAM |
| CHECKED: RD DOUGLASS | | APPROVED: | | SHEET 01 OF 01 | REV |
| SUBMITTED: N/A | | HEM | | 2-073-R11S1-01 | 000 |
| CAD MAINTAINED DRAWING | | | | | CCD |

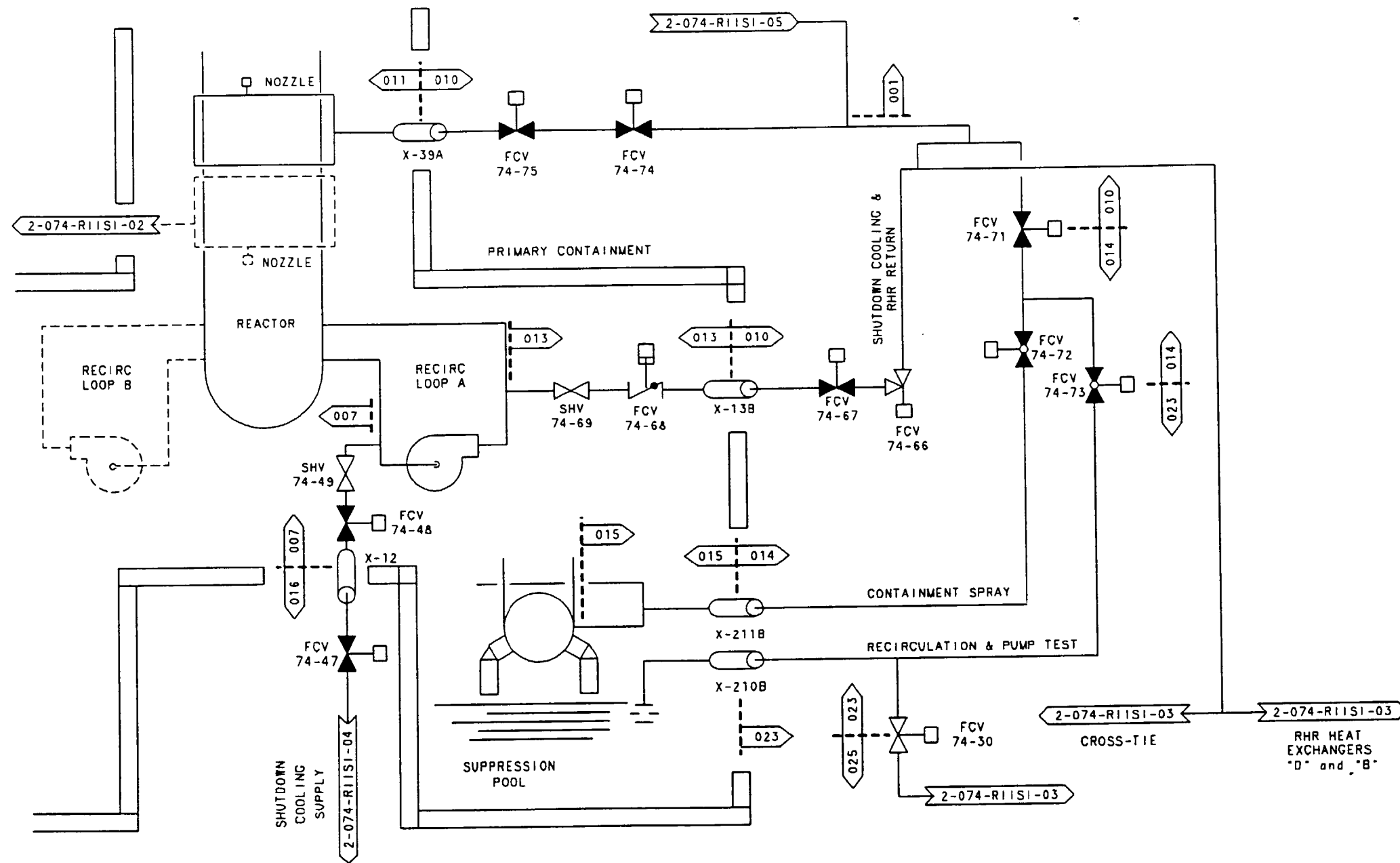


Information Only

NOTES:

1. Risk Informed Segment Boundary numbers are prefixed with 2-073- unless otherwise noted.
2. This sketch is for information only. It may not represent the current plant configuration.

| REV | CHANGE REF | PREPARER | CHECKER | APPROVED | DATE |
|---|------------|-----------|---------|----------------|-------|
| TENNESSEE VALLEY AUTHORITY | | | | | |
| BROWNS FERRY NUCLEAR PLANT UNIT 2 | | | | | |
| RISK INFORMED SEGMENT BOUNDARY HIGH PRESSURE COOLANT INJECTION | | | | | |
| DRAWN: R. D. LOOSIER | | DATE: | | SCALE: NTS | CADAM |
| CHECKED: RO DOUGLASS | | APPROVED: | | SHEET 01 OF 01 | REV |
| SUBMITTED: N/A | | HEH | | 2-073-RIISI-02 | 000 |
| CAD MAINTAINED DRAWING | | | | | CCD |

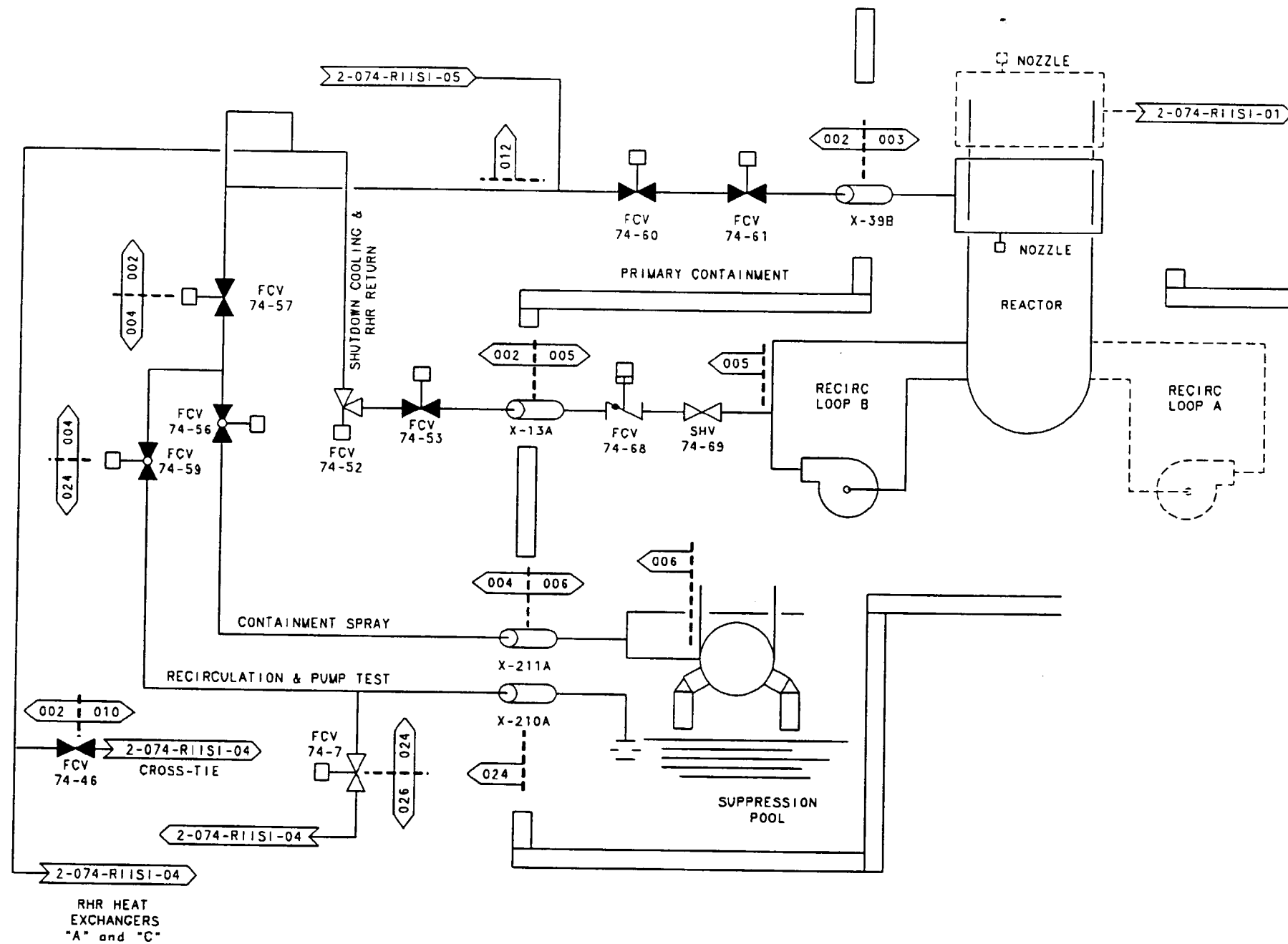


Information Only

NOTES:

1. Risk Informed Segment Boundary numbers are prefixed with 2-074- unless otherwise noted.
2. This sketch is for information only. It may not represent the current plant configuration.

| REV | CHANGE REF | PREPARER | CHECKER | APPROVED | DATE |
|---|------------|-----------|---------|--------------------|------|
| TENNESSEE VALLEY AUTHORITY | | | | | |
| BROWNS FERRY NUCLEAR PLANT UNIT 2 | | | | | |
| RISK INFORMED SEGMENT BOUNDARY RESIDUAL HEAT REMOVAL | | | | | |
| DRAWN: R.D. LOOSIER | | DATE: | | SCALE: NTS CADAM | |
| CHECKED: RD DOUGLASS | | APPROVED: | | SHEET 01 OF 01 REV | |
| SUBMITTED: N/A | | HEM | | 2-074-RIISI-01 000 | |
| CAD MAINTAINED DRAWING | | | | CCD | |

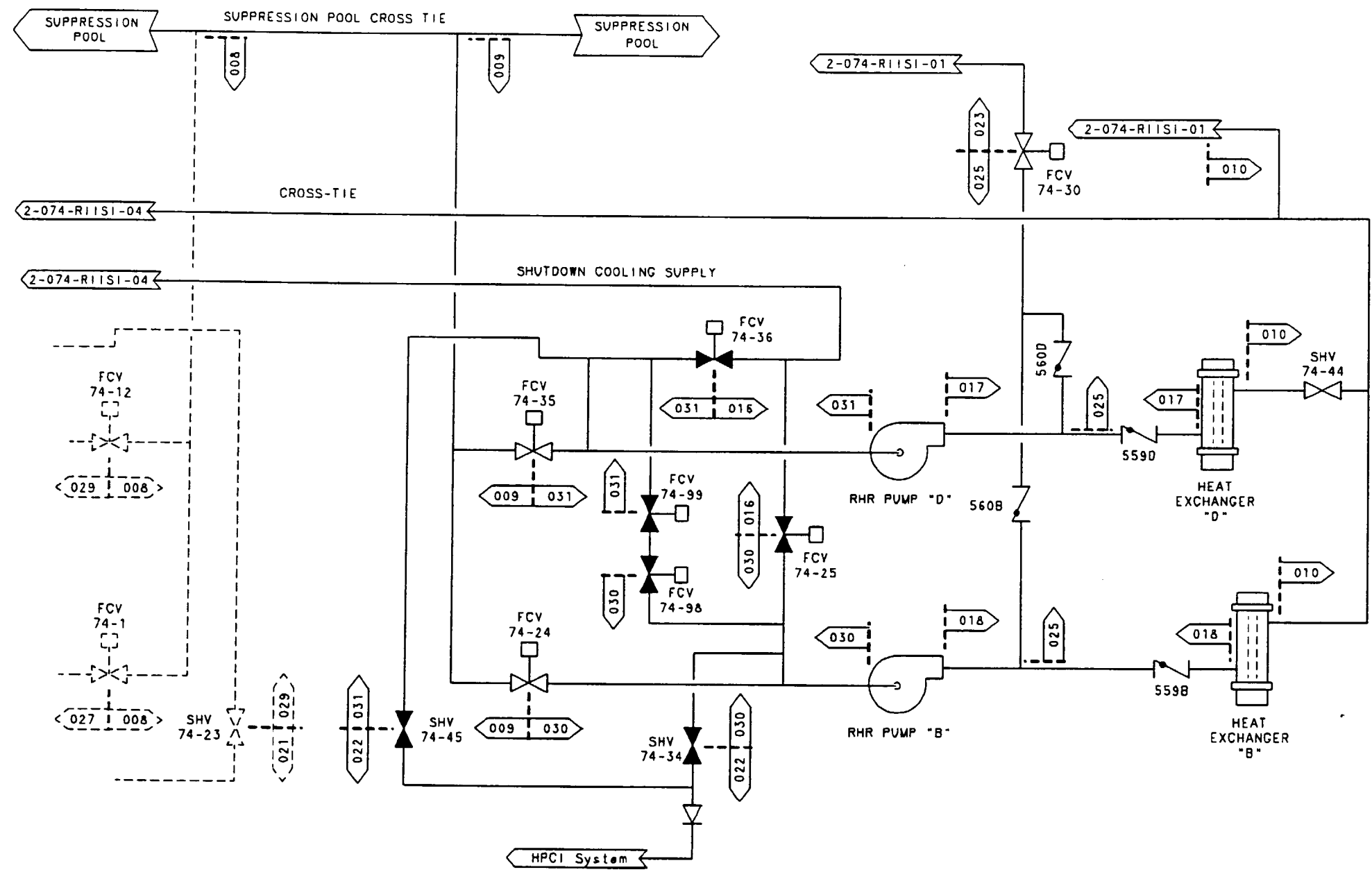


Information Only

NOTES:

1. Risk Informed Segment Boundary numbers are prefixed with 2-074- unless otherwise noted.
2. This sketch is for information only. It may not represent the current plant configuration.

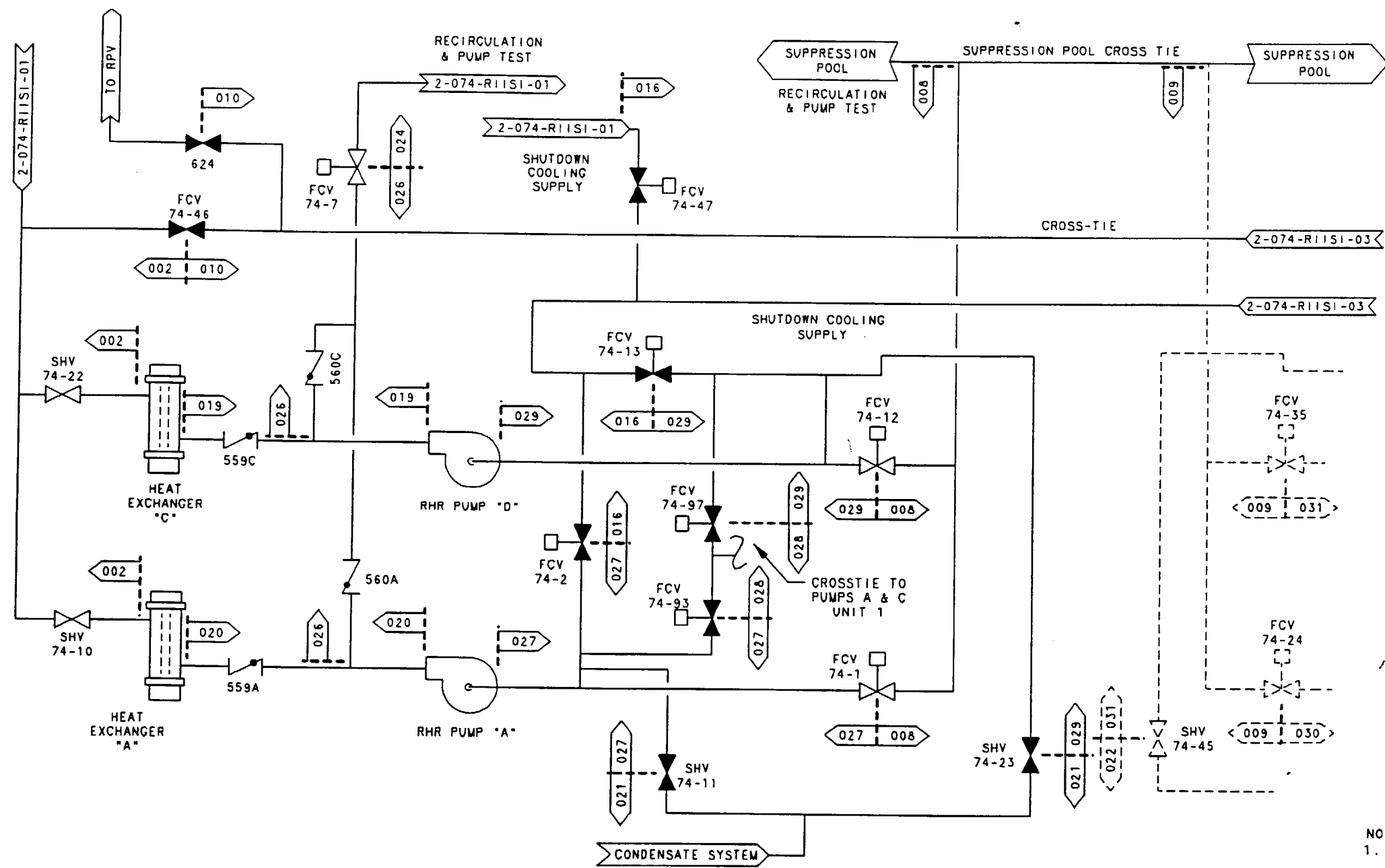
| REV | CHANGE REF | PREPARER | CHECKER | APPROVED | DATE |
|---|------------|-----------|---------|--------------------|------|
| TENNESSEE VALLEY AUTHORITY | | | | | |
| BROWNS FERRY NUCLEAR PLANT UNIT 2 | | | | | |
| RISK INFORMED SEGMENT BOUNDARY RESIDUAL HEAT REMOVAL | | | | | |
| DRAWN: R.D. LOOSIER | | DATE: | | SCALE: NTS CADAM | |
| CHECKED: RD DOUGLASS | | APPROVED: | | SHEET 01 OF 01 REV | |
| SUBMITTED: N/A | | HEH | | 2-074-RIISI-02 000 | |
| CAD MAINTAINED DRAWING | | | | CCD | |



Information Only

- NOTES:
1. Risk Informed Segment Boundary numbers are prefixed with 2-074- unless otherwise noted.
 2. This sketch is for information only. It may not represent the current plant configuration.

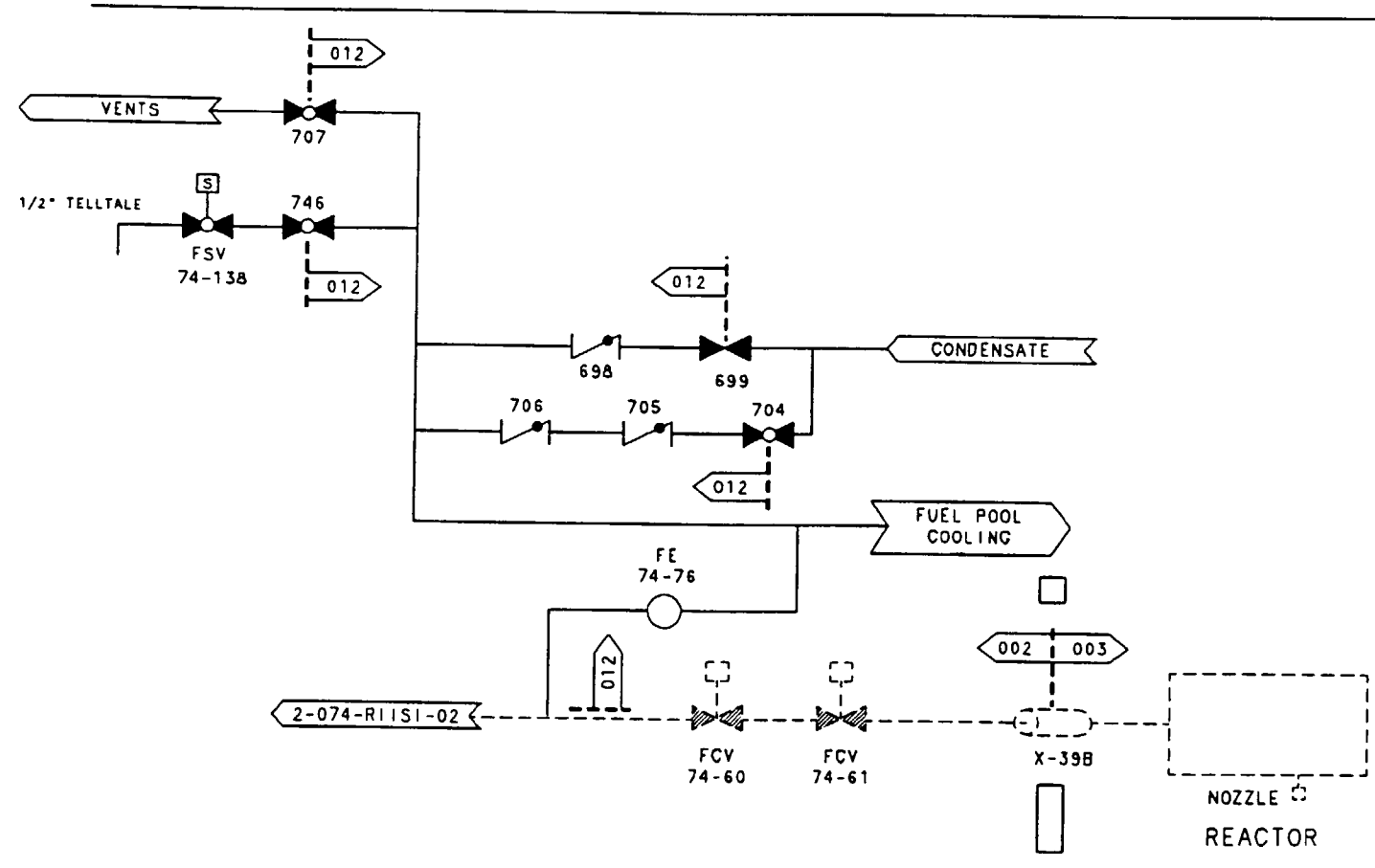
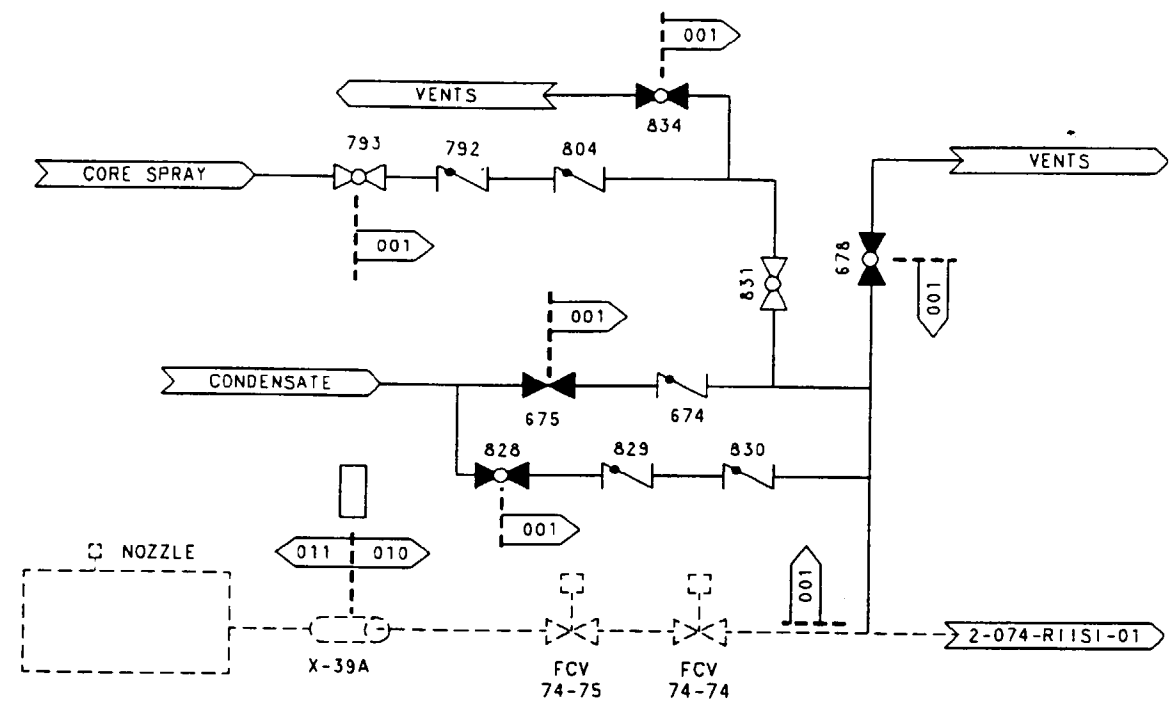
| REV | CHANGE REF | PREPARER | CHECKER | APPROVED | DATE |
|---|------------|-----------|---------|----------------|-------|
| TENNESSEE VALLEY AUTHORITY | | | | | |
| BROWNS FERRY NUCLEAR PLANT UNIT 2 | | | | | |
| RISK INFORMED SEGMENT BOUNDARY RESIDUAL HEAT REMOVAL | | | | | |
| DRAWN: R.D. LOOSIER | | DATE: | | SCALE: NTS | CADAM |
| CHECKED: RD DOUGLASS | | APPROVED: | | SHEET 01 OF 01 | REV |
| SUBMITTED: N/A | | HEH | | 2-074-RIISI-03 | 000 |
| CAD MAINTAINED DRAWING | | | | | CCD |



Information Only

- NOTES:
1. Risk Informed Segment Boundary numbers are prefixed with 2-074- unless otherwise noted.
 2. This sketch is for information only. It may not represent the current plant configuration.

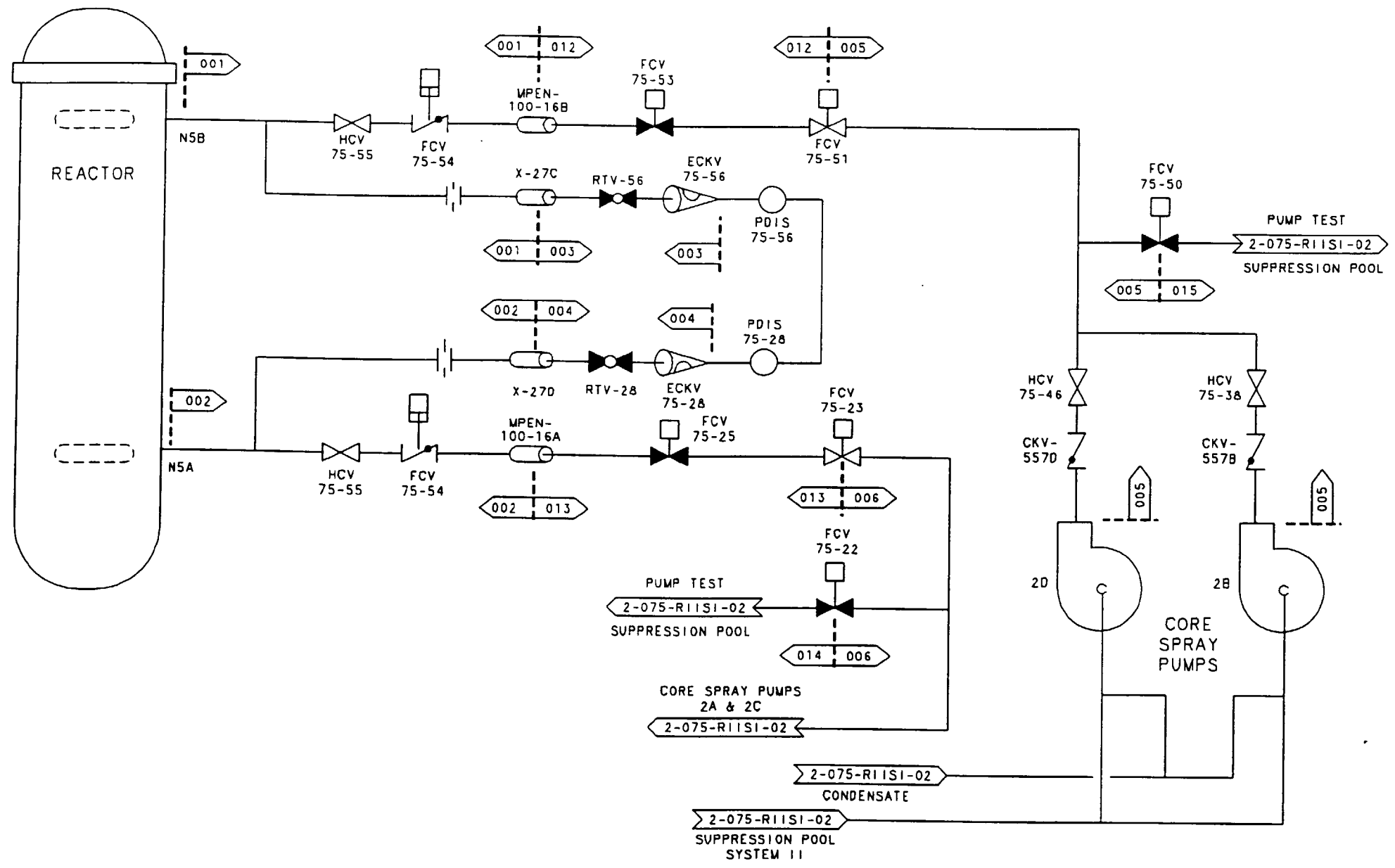
| REV | CHANGE REF | PREPARER | CHECKER | APPROVED | DATE |
|---|------------|-----------|---------|--------------------|------|
| TENNESSEE VALLEY AUTHORITY | | | | | |
| BROWNS FERRY NUCLEAR PLANT UNIT 2 | | | | | |
| RISK INFORMED SEGMENT BOUNDARY RESIDUAL HEAT REMOVAL | | | | | |
| DRAWN: R.D. LOOSIER | | DATE: | | SCALE: NTS | |
| CHECKED: RD DOUGLASS | | APPROVED: | | SHEET 01 OF 01 | |
| SUBMITTED: N/A | | MEM | | 2-074-RIISI-04 000 | |
| CAD MAINTAINED DRAWING | | | | CCD | |



Information Only

- NOTES:
1. Risk Informed Segment Boundary numbers are prefixed with 2-074- unless otherwise noted.
 2. This sketch is for information only. It may not represent the current plant configuration.

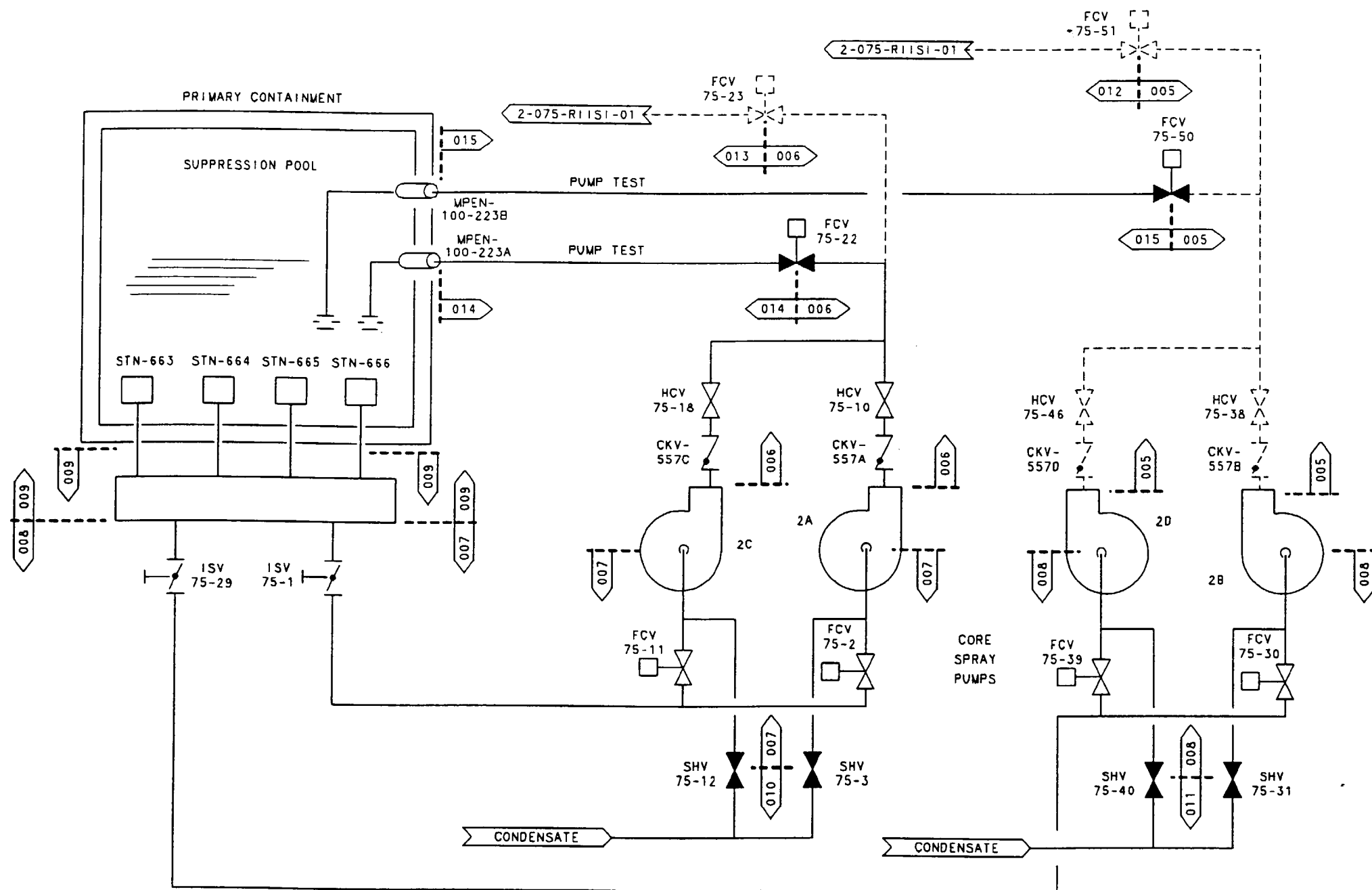
| REV | CHANGE REF | PREPARED | CHECKER | APPROVED | DATE |
|---|------------|-----------|---------|----------------|-------|
| TENNESSEE VALLEY AUTHORITY | | | | | |
| BROWNS FERRY NUCLEAR PLANT UNIT 2 | | | | | |
| RISK INFORMED SEGMENT BOUNDARY RESIDUAL HEAT REMOVAL | | | | | |
| DRAWN: R.D. LOOSIER | | DATE: | | SCALE: NTS | CADAM |
| CHECKED: RD DOUGLASS | | APPROVED: | | SHEET 01 OF 01 | REV |
| SUBMITTED: N/A | | HEH | | 2-074-RIISI-05 | 000 |
| CAD MAINTAINED DRAWING | | | | | CCD |



Information Only

- NOTES:
1. Risk Informed Segment Boundary numbers are prefixed with 2-075- unless otherwise noted.
 2. This sketch is for information only. It may not represent the current plant configuration.

| REV | CHANGE REF | PREPARER | CHECKER | APPROVED | DATE |
|---|------------|-----------|---------|--------------------|------|
| TENNESSEE VALLEY AUTHORITY | | | | | |
| BROWNS FERRY NUCLEAR PLANT UNIT 2 | | | | | |
| RISK INFORMED SEGMENT BOUNDARY CORE SPRAY SYSTEM | | | | | |
| DRAWN: RG PHILLIPS | | DATE: | | SCALE: NTS CADAM | |
| CHECKED: RD DOUGLASS | | APPROVED: | | SHEET 01 OF 01 REV | |
| SUBMITTED: N/A | | HEH | | 2-075-RIISI-01 000 | |
| CAD MAINTAINED DRAWING | | | | CCD | |



Information Only

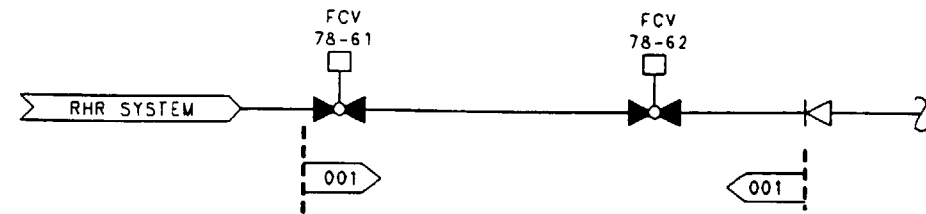
NOTES:

1. Risk Informed Segment Boundary numbers are prefixed with 2-075- unless otherwise noted.
2. This sketch is for information only. It may not represent the current plant configuration.

| REV | CHANGE REF | PREPARER | CHECKER | APPROVED | DATE |
|---|------------|-----------|---------|----------------|-------|
| TENNESSEE VALLEY AUTHORITY | | | | | |
| BROWNS FERRY NUCLEAR PLANT UNIT 2 RISK INFORMED SEGMENT BOUNDARY CORE SPRAY SYSTEM | | | | | |
| DRAWN: RG PHILLIPS | | DATE: | | SCALE: NTS | CADAM |
| CHECKED: RD DOUGLASS | | APPROVED: | | SHEET 01 OF 01 | REV |
| SUBMITTED: N/A | | HEM | | 2-075-RIISI-02 | 000 |

CAD MAINTAINED DRAWING

CCD

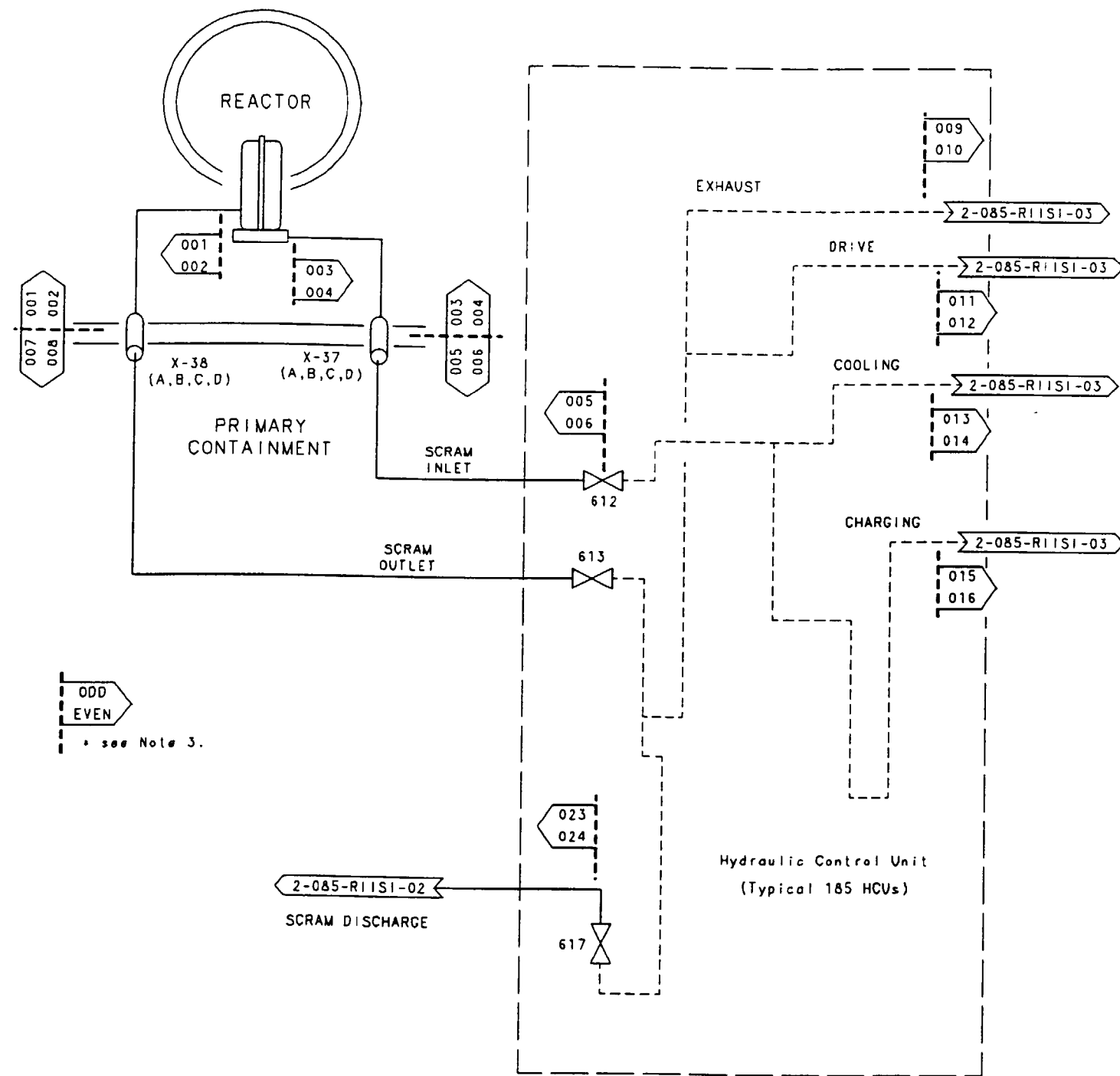


Information Only

NOTES:

1. Risk Informed Segment Boundary numbers are prefixed with 2-078-- unless otherwise noted.
2. This sketch is for information only. It may not represent the current plant configuration.

| REV | CHANGE REF | PREPARER | CHECKER | APPROVED | DATE |
|---|------------|-----------|---------|----------------|-------|
| TENNESSEE VALLEY AUTHORITY | | | | | |
| BROWNS FERRY NUCLEAR PLANT UNIT 2 RISK INFORMED SEGMENT BOUNDARY FUEL POOL COOLING | | | | | |
| DRAWN: RG PHILLIPS | | DATE: | | SCALE: NTS | CADAM |
| CHECKED: RD DOUGLASS | | APPROVED: | | SHEET 01 OF 01 | REV |
| SUBMITTED: N/A | | HEH | | 2-078-R11S1-01 | 000 |
| CAD MAINTAINED DRAWING | | | | | CCD |

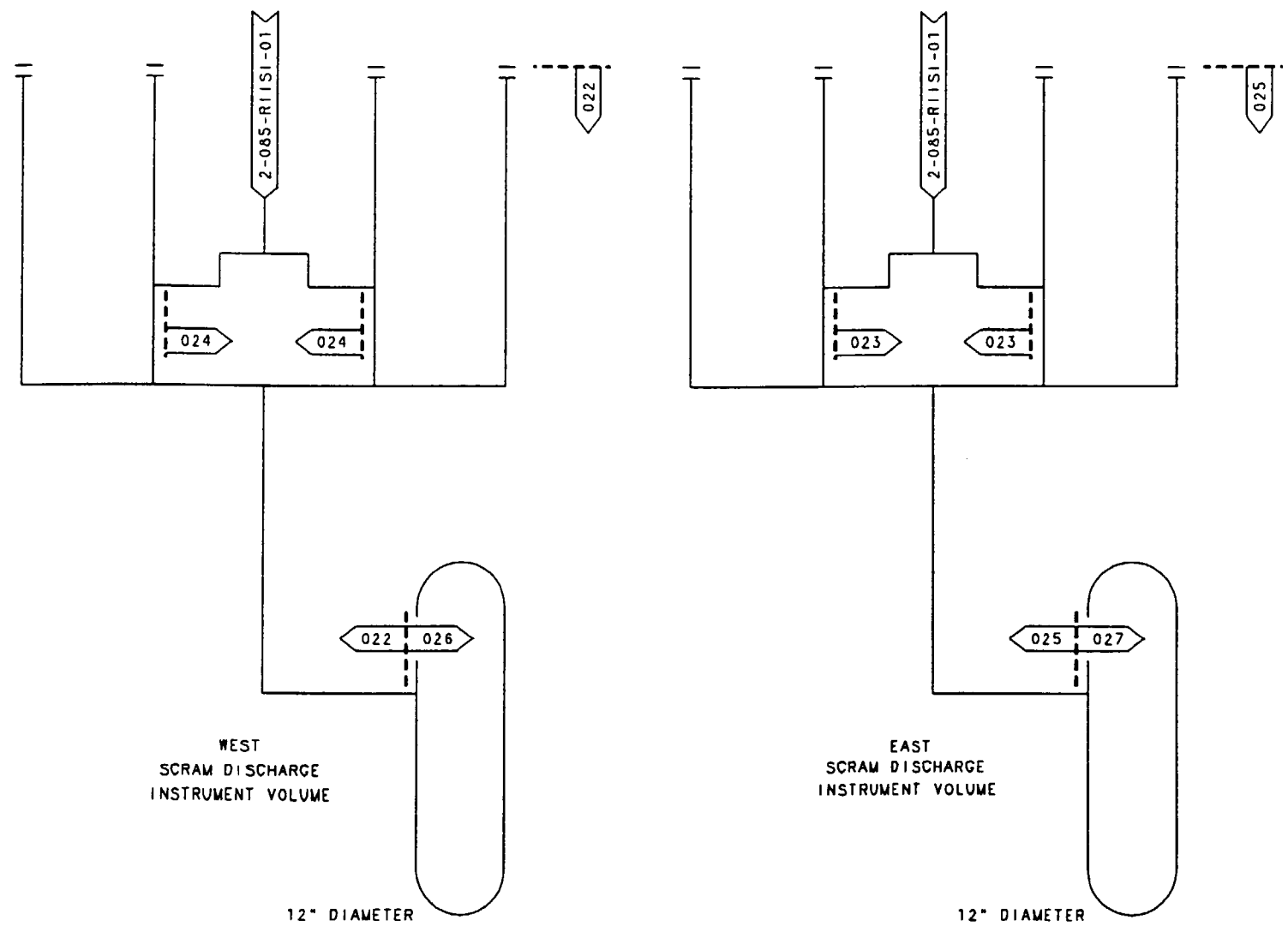


ODD
 EVEN
 * see Note 3.

Information Only

- NOTES:
1. Risk Informed Segment Boundary numbers are prefixed with 2-085- unless otherwise noted.
 2. This sketch is for information only. It may not represent the current plant configuration.
 3. ODD-numbered segments are EAST Bank (93 CRDs) EVEN numbered segments are WEST Bank (92 CRDs)

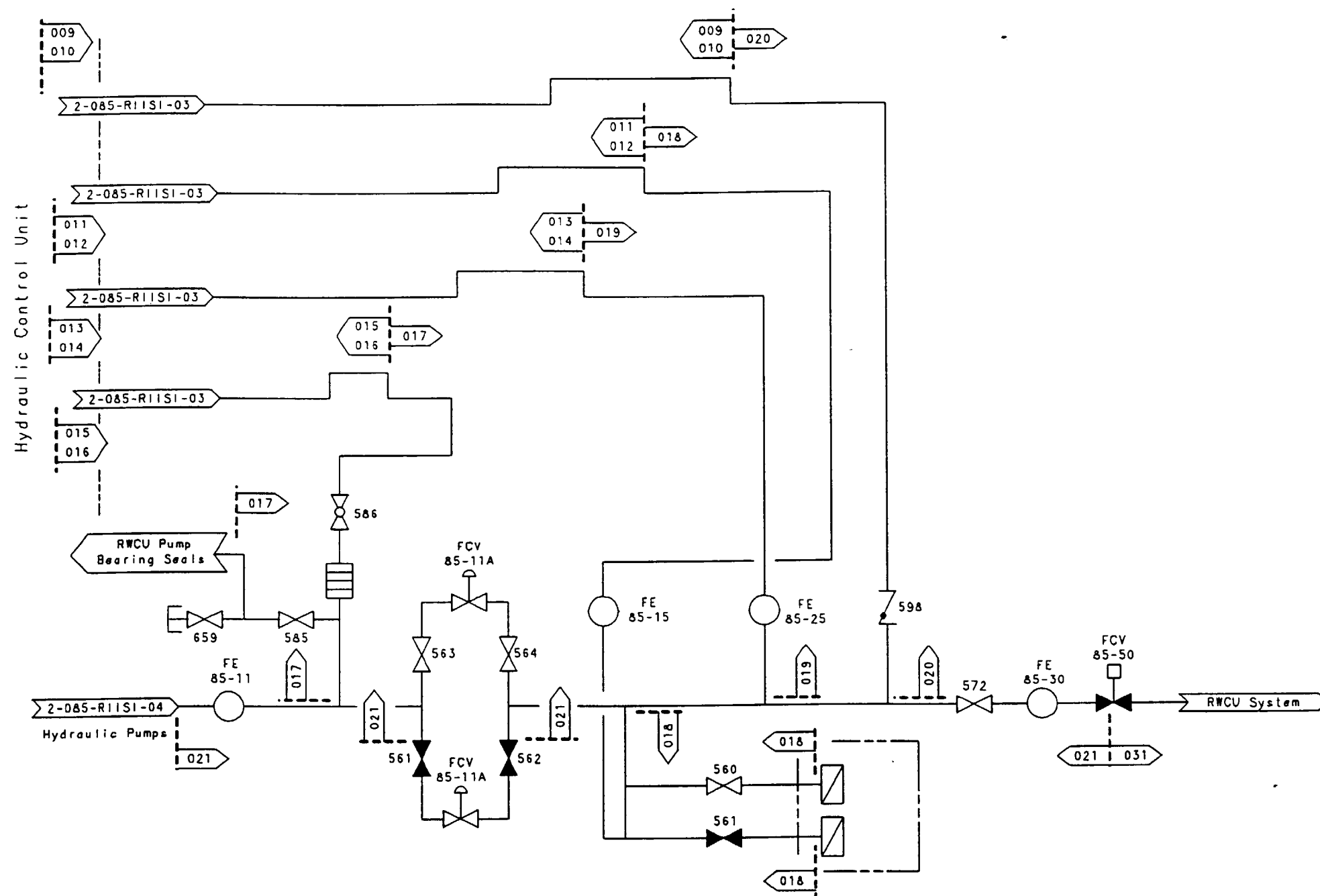
| REV | CHANGE REF | PREPARER | CHECKER | APPROVED | DATE |
|---|------------|-----------|---------|----------------|-------|
| TENNESSEE VALLEY AUTHORITY | | | | | |
| BROWNS FERRY NUCLEAR PLANT UNIT 2 | | | | | |
| RISK INFORMED SEGMENT BOUNDARY CONTROL ROD DRIVE | | | | | |
| DRAWN: RG PHILLIPS | | DATE: | | SCALE: NTS | CADAM |
| CHECKED: RD DOUGLASS | | APPROVED: | | SHEET 01 OF 01 | REV |
| SUBMITTED: N/A | | HEH | | 2-085-R11S1-01 | 000 |
| CAD MAINTAINED DRAWING | | | | | CCD |



Information Only

- NOTES:
1. Risk Informed Segment Boundary numbers are prefixed with 2-085- unless otherwise noted.
 2. This sketch is for information only. It may not represent the current plant configuration.

| | | | | | |
|---|------------|-----------|---------|----------------|-------|
| REV | CHANGE REF | PREPARER | CHECKER | APPROVED | DATE |
| TENNESSEE VALLEY AUTHORITY | | | | | |
| BROWNS FERRY NUCLEAR PLANT UNIT 2 | | | | | |
| RISK INFORMED SEGMENT BOUNDARY CONTROL ROD DRIVE | | | | | |
| DRAWN: R.D. LOOSIER | | DATE: | | SCALE: NTS | CADAM |
| CHECKED: RD DOUGLASS | | APPROVED: | | SHEET 01 OF 01 | REV |
| SUBMITTED: N/A | | HEM | | 2-085-RIISI-02 | 000 |
| CAD MAINTAINED DRAWING | | | | CCD | |

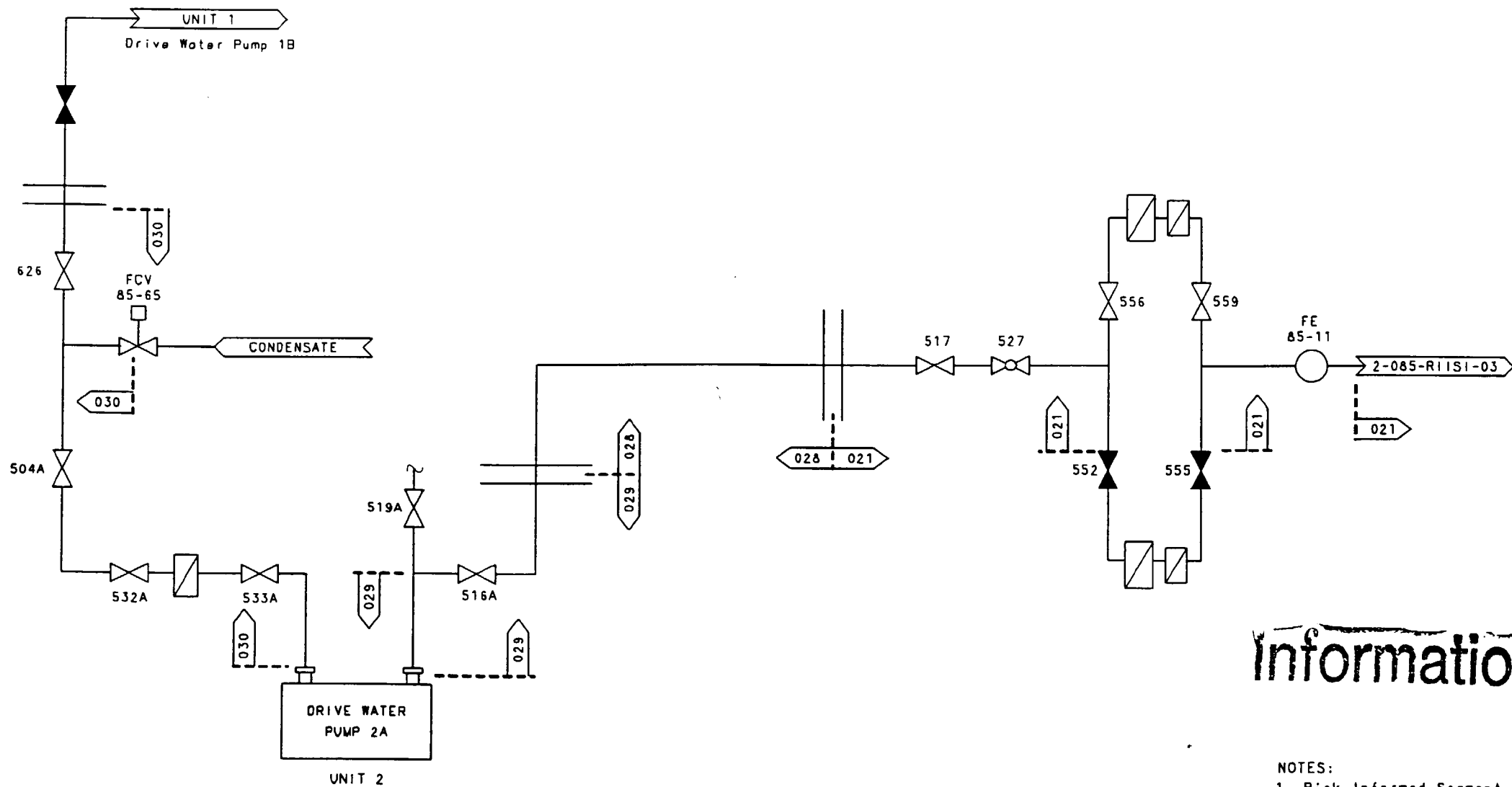


Information Only

NOTES:

1. Risk Informed Segment Boundary numbers are prefixed with 2-085- unless otherwise noted.
2. This sketch is for information only. It may not represent the current plant configuration.

| REV | CHANGE REF | PREPARER | CHECKER | APPROVED | DATE |
|---|------------|---------------|---------|----------------|-------|
| TENNESSEE VALLEY AUTHORITY | | | | | |
| BROWNS FERRY NUCLEAR PLANT UNIT 2 | | | | | |
| RISK INFORMED SEGMENT BOUNDARY CONTROL ROD DRIVE | | | | | |
| DRAWN: R.D. LOOSIER | | DATE: | | SCALE: NTS | CADAM |
| CHECKED: RD DOUGLASS | | APPROVED: HEM | | SHEET 01 OF 01 | REV |
| SUBMITTED: N/A | | | | 2-085-RIISI-03 | 000 |
| CAD MAINTAINED DRAWING | | | | | CCD |



Information Only

- NOTES:
1. Risk Informed Segment Boundary numbers are prefixed with 2-085- unless otherwise noted.
 2. This sketch is for information only. It may not represent the current plant configuration.

| REV | CHANGE REF | PREPARER | CHECKER | APPROVED | DATE |
|---|------------|-----------|---------|--------------------|------|
| TENNESSEE VALLEY AUTHORITY | | | | | |
| BROWNS FERRY NUCLEAR PLANT UNIT 2 RISK INFORMED SEGMENT BOUNDARY CONTROL ROD DRIVE | | | | | |
| DRAWN: R.D. LOOSIER | | DATE: | | SCALE: NTS CADAM | |
| CHECKED: RD DOUGLASS | | APPROVED: | | SHEET 01 OF 01 REV | |
| SUBMITTED: N/A | | MEH | | 2-085-R11SI-04 000 | |
| CAD MAINTAINED DRAWING | | | | CCD | |