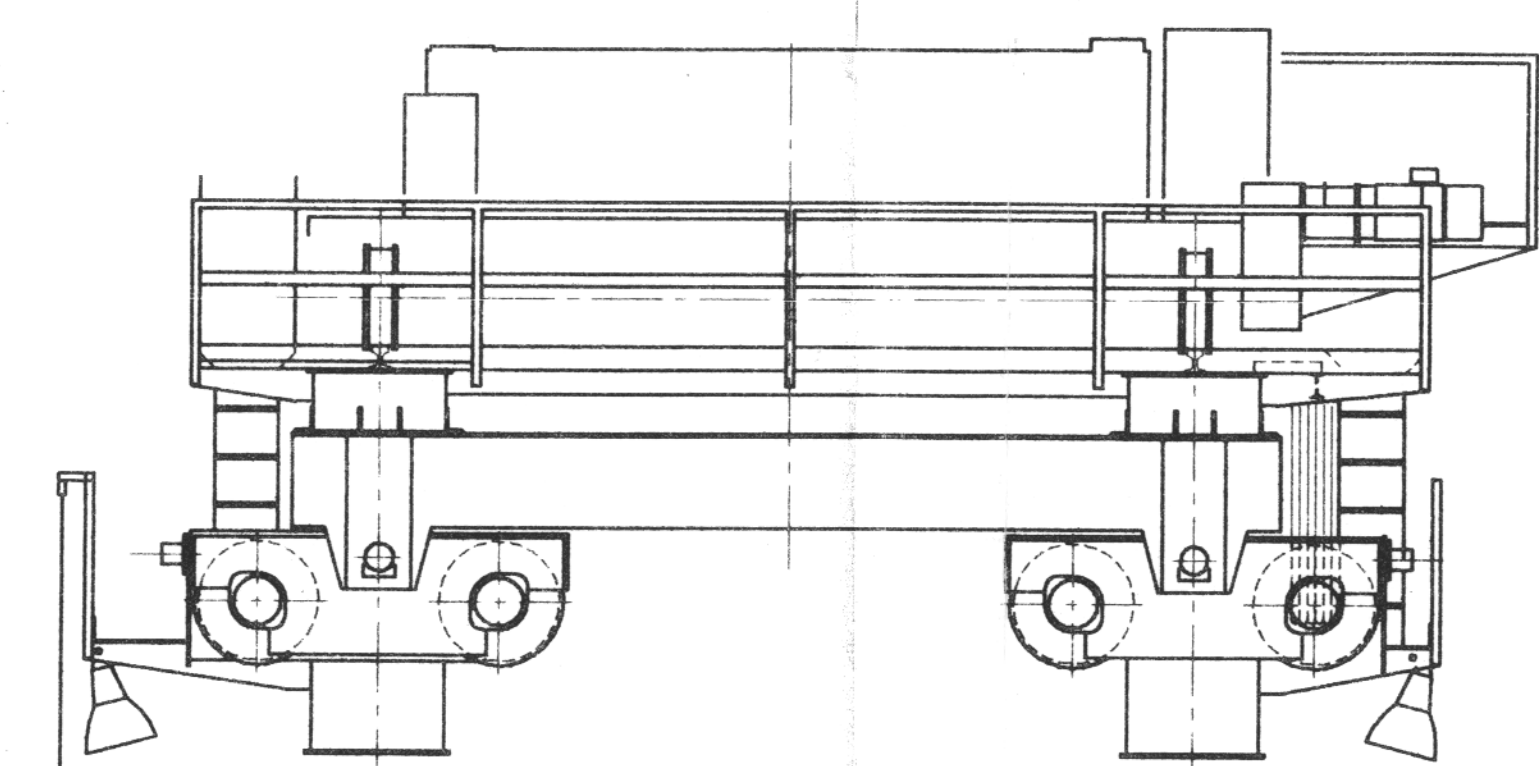
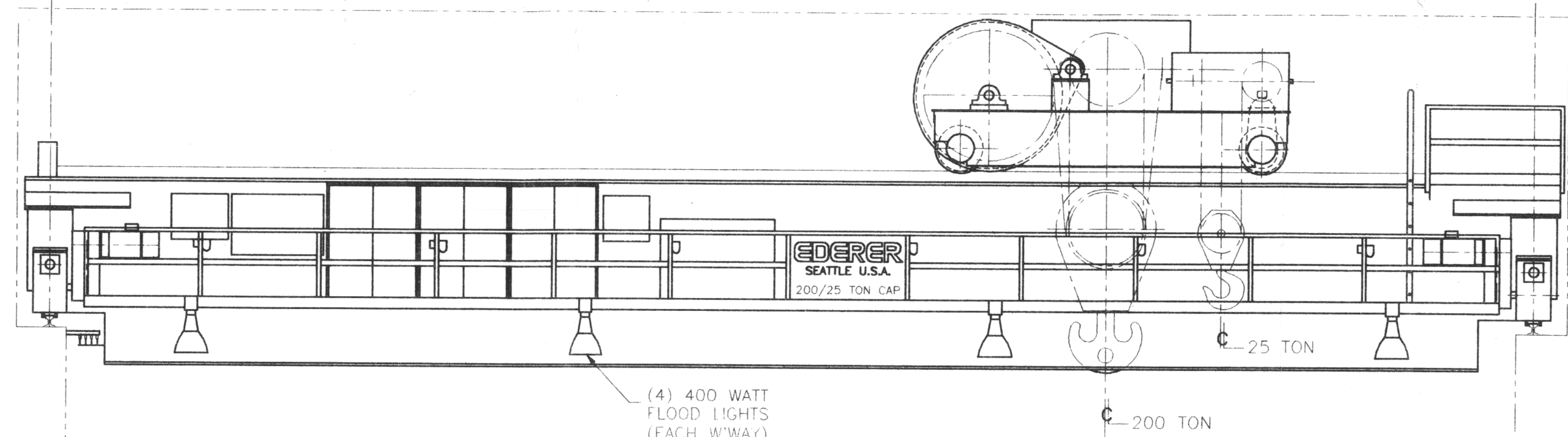
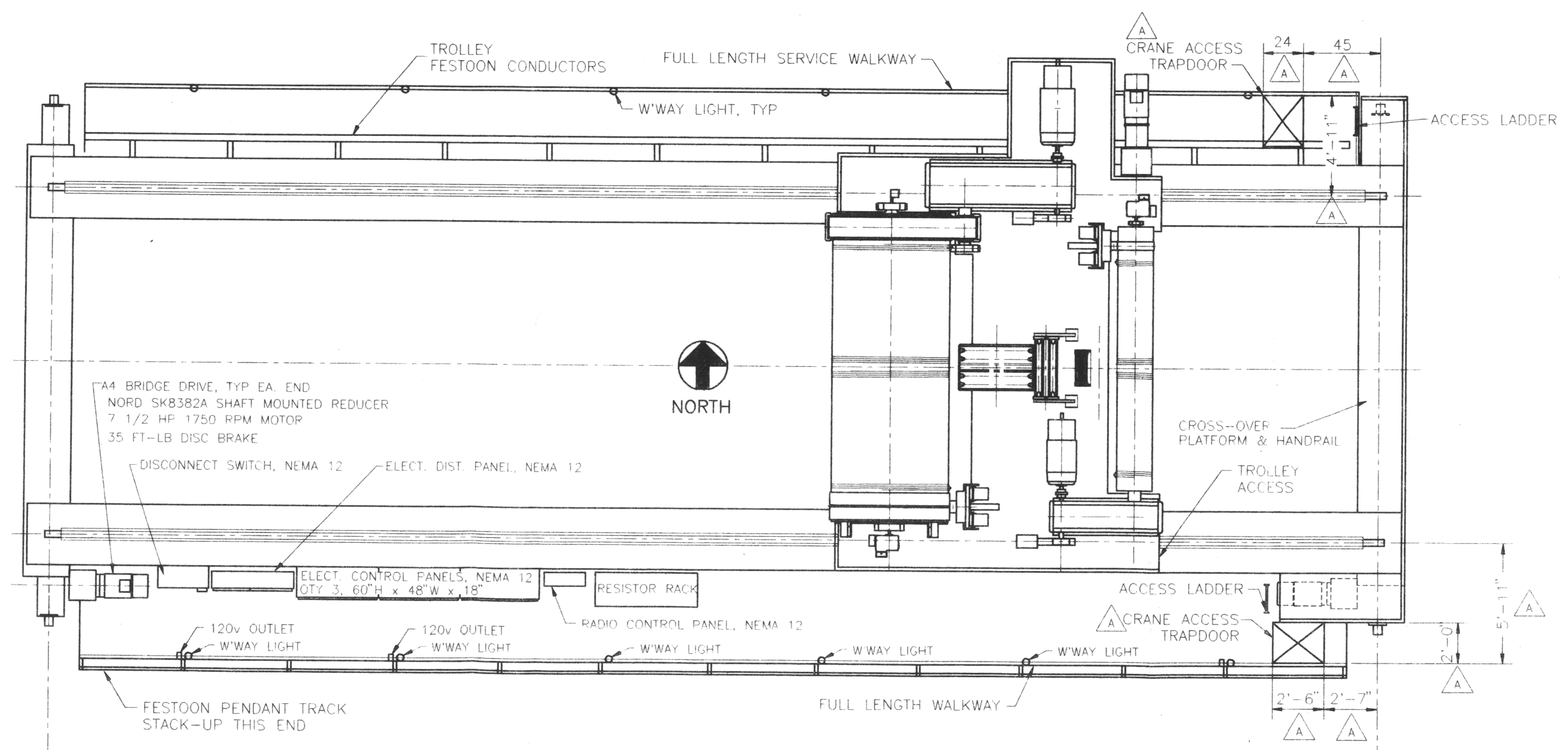


REVISIONS							
LTR	DESCRIPTION	DATE	BY	CHK	ENG	APPD	APPD
A	PER CUST. COMMENTS	11/14/98	JLF	SDS	JLF	EAJ	47



APERTURE CARD

9903020153

PRIVATE FUEL STORAGE FACILITY
P.O. NO. 0599602-023

THIS DOCUMENT AND THE CONTENTS THEREOF ARE THE PROPRIETARY TECHNOLOGY OF EDERER INCORPORATED AND MAY NOT BE USED OR DISCLOSED TO OTHERS WITHOUT WRITTEN PERMISSION OF EDERER INCORPORATED

ITEM NO.	DESCRIPTION	QTY.	MATERIAL	WEIGHT
LIST OF MATERIALS				
ITEMS WITH SPECIAL QUALITY REQUIREMENTS	0	SCALE	1/4" = 1'-0"	TOTAL WT. -- LBS.
ADVANCE ORDERED ITEMS	COST ITEM NO.	EDERER INCORPORATED		
DRAWN JLF	10/26/98	EDERER INCORPORATED		
CHECK FEL	10/28/98	WASHINGTON STAR CRANES		
ENG. JLF	10/29/98	200/25 TON BRIDGE CRANE BRIDGE ARRANGEMENT		
APPD. FEL	10/29/98	D-36976		
APPD. L.L. ANDERSON	10/29/98	REV A		
APPD.		FIRST USED ON F-2621		
MACHINING	FRACTIONAL ± 1/64	DWC NO. 17-22 21/1/99		
TOLERANCES	DECIMAL ± 0.10	9903020153		
OR AS NOTED	ANGLE ± 1-0'	9903020153		

D-3 17-22 21/1/99 9903020153