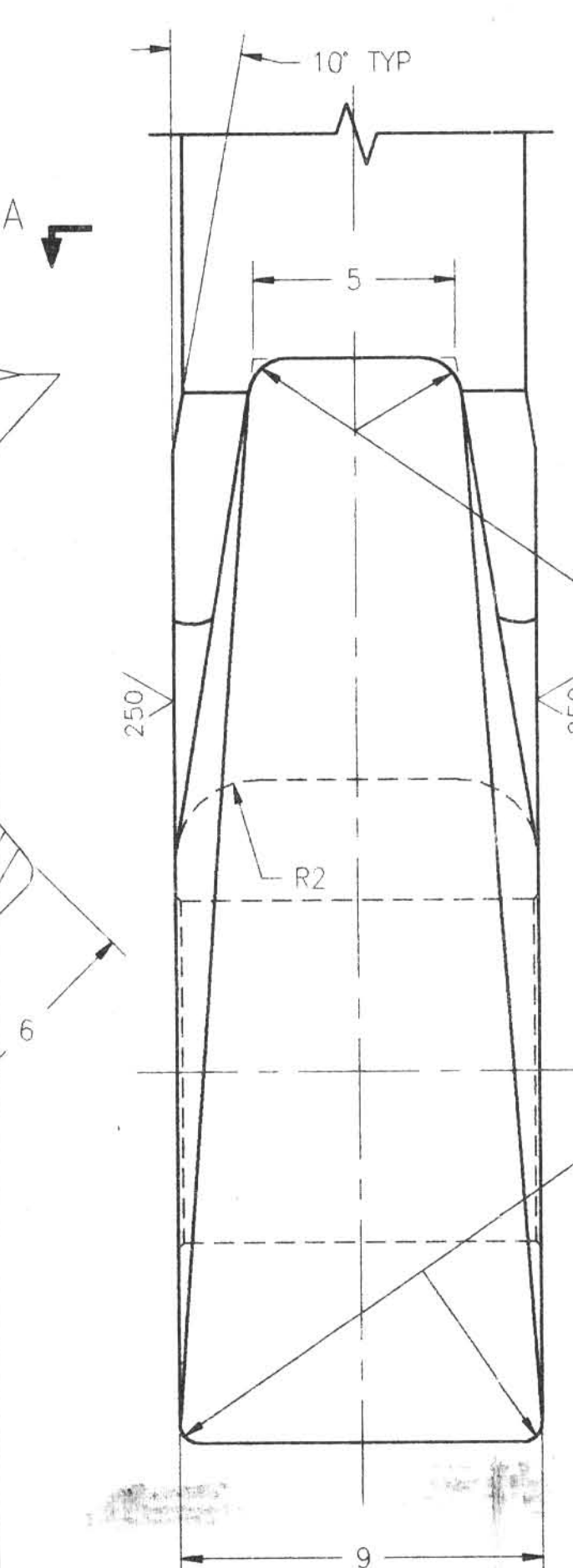
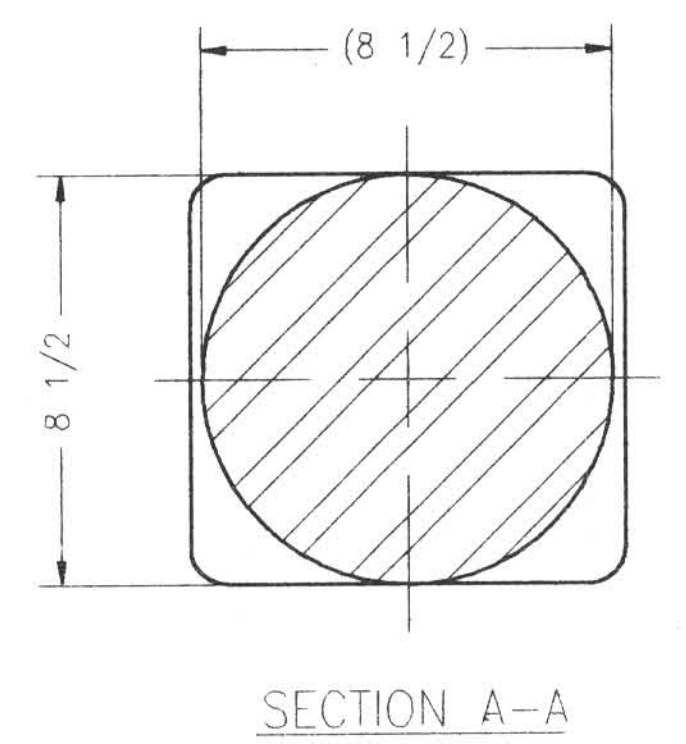


REVISIONS							
LTR	DESCRIPTION	DATE	BY	CHK	ENG	APPD	APPD
A	PER CUST. COMMENTS	11/14/98	JLF	SRS	JLF	RAJ	LA



- NOTE: NSR
1. MS-MAT'L CP AND HP TEST REPORTS REQ'D.
 2. UT INSPECT PER PROJECT QUALITY PLAN.
 3. MP INSPECT PER PROJECT QUALITY PLAN BEFORE AND AFTER LOAD TEST.
 4. LOAD TEST 200%. 400 TONS (800,000 LBS)
 5. DIM. INSPECT PER PROJECT QUALITY PLAN BEFORE AND AFTER LOAD TEST. PUNCH OPENING DIMENSION ON HOOK.

APERTURE CARD
9903020149

PRIVATE FUEL STORAGE FACILITY
 P.O. NO. 0599602-023
 200 TON BRIDGE CRANE
 150 TON SEMI-GANTRY CRANE

CI	FORGING	ASTM A688-CL(+H) (+) CHEM COMP 4140/45 HT 250-310 BHN	1,650
ITEM NO.	DESCRIPTION	QTY.	MATERIAL WEIGHT
LIST OF MATERIALS			
ITEMS WITH SPECIAL QUALITY REQUIREMENTS	17.5	SCALE NONE	TOTAL WT 1,650 LBS.
ADVANCE ORDERED ITEMS	COST ITEM NO.	EDERER INCORPORATED WASHINGTON STAR CRANES CRANES CRANES	
DRAWN	MEO ESP 10/2/98		
CHECK	JLF 10/28/98		
ENG.	JLF 10/28/98		
APPD.	FEL 10/29/98		
APPD.	LLA 10/29/98		
MACHINING FRACTIONAL ± 1/64		SISTER HOOK 200 TON C-36975	
TOLERANCES DECIMAL ± .010			
OR AS NOTED ANGLE ± 1-0'			
FIRST USED ON	F-2621/22	DWG. NO.	REV A

D-1
 78-22
 9903020149
 2/11/99