

Official Transcript of Proceedings
NUCLEAR REGULATORY COMMISSION

Title: Advisory Committee on reactor Safeguards
 eVinci Design Subcommittee
 Open Session

Docket Number: (n/a)

Location: teleconference

Date: Tuesday, February 28, 2023

Work Order No.: NRC-2288

Pages 1-50

NEAL R. GROSS AND CO., INC.
Court Reporters and Transcribers
1716 14th Street, N.W.
Washington, D.C. 20009
(202) 234-4433

1
2
3
4
5
6
7
8
9
10
11
12
13
14
15
16
17
18
19
20
21
22
23

DISCLAIMER

UNITED STATES NUCLEAR REGULATORY COMMISSION'S
ADVISORY COMMITTEE ON REACTOR SAFEGUARDS

The contents of this transcript of the proceeding of the United States Nuclear Regulatory Commission Advisory Committee on Reactor Safeguards, as reported herein, is a record of the discussions recorded at the meeting.

This transcript has not been reviewed, corrected, and edited, and it may contain inaccuracies.

NEAL R. GROSS

COURT REPORTERS AND TRANSCRIBERS

1323 RHODE ISLAND AVE., N.W.

WASHINGTON, D.C. 20005-3701

(202) 234-4433

www.nealrgross.com

1
2
3
4
5
6
7
8
9
10
11
12
13
14
15
16
17
18
19
20
21
22
23
24
25

UNITED STATES OF AMERICA
NUCLEAR REGULATORY COMMISSION

+ + + + +

ADVISORY COMMITTEE ON REACTOR SAFEGUARDS
(ACRS)

+ + + + +

eVINCI SUBCOMMITTEE

+ + + + +

OPEN SESSION

+ + + + +

TUESDAY

FEBRUARY 28, 2023

+ + + + +

The Subcommittee met via Teleconference,
at 1:00 p.m. EST, Walter L. Kirchner, Chair, presiding.

COMMITTEE MEMBERS:

WALTER L. KIRCHNER, Chair

RONALD G. BALLINGER, Member

VICKI M. BIER, Member

CHARLES H. BROWN, JR., Member

VESNA B. DIMITRIJEVIC, Member

GREGORY H. HALNON, Member

JOSE MARCH-LEUBA, Member

DAVID A. PETTI, Member

NEAL R. GROSS

COURT REPORTERS AND TRANSCRIBERS
1716 14th STREET, N.W., SUITE 200
WASHINGTON, D.C. 20009-4309

1
2
3
4
5
6
7
8
9
10
11
12
13
14
15
16
17
18
19
20
21
22
23
24
25

JOY L. REMPE, Member

MATTHEW W. SUNSERI, Member

ACRS CONSULTANTS:

DENNIS BLEY

STEPHEN SCHULTZ

DESIGNATED FEDERAL OFFICIAL:

CHRISTOPHER BROWN

TABLE OF CONTENTS

1		
2	PAGE	
3	Opening Remarks and Objectives	4
4	Staff Opening Remarks	7
5	Overview	12
6	Public Comments	50

7
8
9
10
11
12
13
14
15
16
17
18
19
20
21
22
23
24
25

P-R-O-C-E-E-D-I-N-G-S

(1:00 p.m.)

CHAIR KIRCHNER: It's 1:00 Eastern Time, and this meeting will now come to order.

This is a meeting of the eVinci Design Subcommittee of the Advisory Committee on reactor Safeguards.

I am Walt Kirchner, Chairman of today's Subcommittee meeting. ACRS members in attendance are Charles Brown, Jose March-Leuba, Joy Rempe, Dave Petti, Ron Ballinger, and I think we have -- and Greg Halnon are present here. I believe we have Vesna Dimitrijevic and Vicki Bier on virtual connection. And Matt Sunseri. Our consultants, Dennis Bley and Stephen Schultz, are also present.

Christopher Brown of the ACRS staff is the Designated Federal Official for this meeting.

During today's meeting, the Subcommittee will receive an overview of the eVinci Micro Reactor Design. The Subcommittee will hear presentations by and hold discussions with the NRC staff, Westinghouse representatives, and other interested persons regarding this matter.

Part of the presentations by the Applicant and the NRC may be closed in order to discuss information

NEAL R. GROSS

COURT REPORTERS AND TRANSCRIBERS
1716 14th STREET, N.W., SUITE 200
WASHINGTON, D.C. 20009-4309

(202) 234-4433

www.nealrgross.com

1 that is proprietary to the licensee and its contractors
2 pursuant to 5 U.S.C. 552 Bravo, Charlie, four.

3 Attendance at the meeting that deals with
4 such information will be limited to NRC staff and its
5 consultants, WEC, and those individuals and
6 organizations who have entered into an appropriate
7 confidentiality agreement with them. Consequently,
8 we will need to confirm that we have only eligible
9 observers and participants in the closed part of the
10 meeting.

11 The rules for participation in all ACRS
12 meetings, including today's, were announced in the
13 Federal Register on June 13th, 2019. The ACRS section
14 of the U.S. NRC public website provides our charter,
15 bylaws, agendas, letter reports, and full transcripts
16 of all full and subcommittee meetings, including slides
17 presented there.

18 The meeting notice and agenda for this
19 meeting were posted there. We have received no written
20 statements or requests to make an oral statement from
21 the public.

22 The Subcommittee will gather information,
23 analyze relevant issues and facts, and formulate
24 proposed positions and actions, as appropriate, for
25 deliberation by the full Committee.

NEAL R. GROSS

COURT REPORTERS AND TRANSCRIBERS
1716 14th STREET, N.W., SUITE 200
WASHINGTON, D.C. 20009-4309

1 The rules for participation in today's
2 meeting have been announced as part of the notice of
3 this meeting previously published in the Federal
4 Register. A transcript of the meeting is being kept
5 and will be made available as stated in the Federal
6 Register notice.

7 Today's meeting is being held in person
8 and over Microsoft Teams for ACRS staff and members,
9 NRC staff, and the licensee attendees. There is also
10 a telephone bridge line and an MS Teams link allowing
11 participation of the public.

12 When addressing the Subcommittee, the
13 participants should first identify themselves and then
14 speak with sufficient clarity and volume so that they
15 may be readily heard.

16 When not speaking, we request that
17 participants mute your computer microphone or phone
18 by pressing star six. Again, please, those here in
19 the room, please mute your laptop.

20 We will now proceed with the meeting, and
21 I'd like to start by calling on Mike Wentzel, the Branch
22 Chief from NRR.

23 Mike, good afternoon. Go ahead.

24 MR. WENTZEL: Good afternoon, Dr.
25 Kirchner, and thank you for the opportunity to be here

NEAL R. GROSS

COURT REPORTERS AND TRANSCRIBERS
1716 14th STREET, N.W., SUITE 200
WASHINGTON, D.C. 20009-4309

1 today.

2 My name is Mike Wentzel, and I am Chief
3 of Advanced Reactor Licensing Branch Number 2 in the
4 Division of Advanced Reactors and Non-Power Production
5 and Utilization Facilities, also referred to as DANU.

6 And, as you know, we're in the Office of Nuclear Reactor
7 Regulations.

8 So I'd like to talk today a little bit about
9 the staff's focus on preapplication activities. In
10 accordance with the advanced reactor policy statement,
11 the NRC encourages early interaction with advanced
12 reactor developers and prospective applicants.

13 While preapplication interactions are not
14 unique to advanced reactors, the NRC recognizes that
15 such interactions may be particularly beneficial for
16 advanced reactor developers, because they allow the
17 early identification of resolution of technical and
18 policy issues that could affect licensing.

19 In the staff's draft White Paper entitled
20 Preapplication Engagement to Optimize Advanced Reactor
21 Application Reviews that was issued in 2021, the NRC
22 staff proposed a set of preapplication activities that,
23 if fully executed, will enable the staff to offer more
24 predictable and potentially shorter schedules and other
25 benefits during the review of a license application.

NEAL R. GROSS

COURT REPORTERS AND TRANSCRIBERS
1716 14th STREET, N.W., SUITE 200
WASHINGTON, D.C. 20009-4309

1 The White Paper states that if an advanced
2 reactor applicant completes preapplication
3 interactions on certain topics proposed by the staff
4 that we would anticipate a review schedule that is
5 tentatively six months shorter than the NRC's generic
6 milestone schedules, depending on the complexity of
7 the design and other issues associated with the work.

8 The staff can then compare the list of
9 preapplication topics in the White Paper against those
10 that are completed and anticipated submittals that --
11 from vendors to evaluate the effectiveness of our
12 preapplication interactions.

13 Another thing that we're doing to ensure
14 effective and efficient preapplication reviews is
15 implementing a core team approach. We anticipate that
16 the core team that is created for the preapplication
17 phase will be the same that is assigned to future license
18 applications.

19 In this approach, the overall
20 responsibility for the staff review lies within our
21 division referred to as DANU. The core team review
22 includes a project manager and technical reviewers from
23 DANU and subject matter experts in other divisions and
24 offices for selected topics.

25 Technical reviewers from within DANU with

NEAL R. GROSS

COURT REPORTERS AND TRANSCRIBERS
1716 14th STREET, N.W., SUITE 200
WASHINGTON, D.C. 20009-4309

1 significant advanced reactor technology expertise have
2 responsibility for broader portions of the design,
3 including many of the topics that are integral to the
4 reactor design, such as thermal and structural
5 analysis, fuel and core design, and accidents.

6 Some topics that are being reviewed outside
7 the core team include instrumentation and controls,
8 emergency planning, fissile security, and seismic
9 methodology.

10 In the case of eVinci, the core team will
11 work very closely with staff of -- from the Office of
12 Nuclear Materials Safety and Safeguards due to the
13 unique transportation and storage aspects of this
14 particular design.

15 So, again, I'd just like to thank you for
16 the opportunity to be here today, and we continue --
17 we will look forward to continued interactions with
18 the ACRS as the review of the eVinci design progresses.

19 CHAIR KIRCHNER: Thank you, Mike. And now
20 we'll turn to Westinghouse. I think Mike Shaqgo is
21 going to make an introduction for the team. Thank you
22 for being here, by the way, as well.

23 MR. SHAQGO: Yeah. Thank you for the
24 opportunity to be here, and thank you for taking the
25 time to listen to our team as we share with you our

NEAL R. GROSS

COURT REPORTERS AND TRANSCRIBERS
1716 14th STREET, N.W., SUITE 200
WASHINGTON, D.C. 20009-4309

1 progress with eVinci.

2 Go to the next slide, Anthony.

3 So just jumping into it here, I guess to
4 make sure our team will have the opportunity to share
5 the progress we've made, I'll keep mine short.

6 Again, my name is Mike Shaqgo. I'm the
7 Senior VP for Advanced Reactor Programs with
8 Westinghouse. As you see here, Westinghouse has --
9 and you probably know -- Westinghouse has a very long
10 history of developing and successfully licensing the
11 reactor technologies.

12 We really appreciate the NRC's past effort
13 with our AP1000 and the design certification that we
14 received from the NRC to support deployment. This
15 really has enabled us to deploy AP1000, certainly here
16 in the U.S., but as well as internationally.

17 eVinci, as you see here on the list of our
18 portfolio of reactors, is one of our -- is our smallest
19 reactor technology that we are talking about today.
20 This technology is -- as you'll hear from our team,
21 we're very excited about it. The reason we're excited
22 about it, certainly because of the innovative aspect
23 of it, as well as the advancement the team has made
24 in progressing this technology.

25 But just as important, as you will hear

NEAL R. GROSS

COURT REPORTERS AND TRANSCRIBERS
1716 14th STREET, N.W., SUITE 200
WASHINGTON, D.C. 20009-4309

1 from our team today, we are excited about this
2 technology because of the broad range of applications
3 that this technology will have. We heard many
4 feedbacks from our customers, potential end users, on
5 how this technology will actually help them achieve
6 their net zero goals. So that really gets us excited
7 and gets our engineers excited as we talk and advance
8 this technology.

9 So, in addition to eVinci, as you see here,
10 we have two other areas that we are focused on as well.

11 Specifically, we are working on -- soon to deploy --
12 our Westinghouse SMR. It's a 300-megawatt electric
13 unit, and it will be based mainly on the advancement
14 and the lessons learned from our AP1000 technology and
15 deployment.

16 In addition, with our innovation team, we
17 have our Lead Fast Reactor, which is in our innovation
18 R&D phase as it is our next generation and gen forward
19 technology that our team is also working on.

20 So, with that said, the focus of this team
21 here today is really solely on eVinci, and which is,
22 as I mentioned, it's one of our key products that we
23 are investing significantly in the development, and
24 I believe -- maybe it's self-serving -- I do believe
25 we have the smartest and the brightest people working

NEAL R. GROSS

COURT REPORTERS AND TRANSCRIBERS
1716 14th STREET, N.W., SUITE 200
WASHINGTON, D.C. 20009-4309

1 on this technology.

2 So looking forward for this interaction,
3 and looking forward to see where this will take us.

4 And thank you.

5 CHAIR KIRCHNER: Thank you.

6 MR. HALACKNA: All right. Thank you,
7 Mike. So you can see on the screen the agenda we have
8 for today.

9 Oh, yeah. Joe Halackna. I'm Deputy
10 Director for Advanced Reactor Engineering at
11 Westinghouse. I'll lead us through a number of the
12 slides here, and then -- between myself and Anthony.

13 So you can see the agenda. We're going
14 to walk through some of our technology, our design,
15 how we got to this point, what's the market that we're
16 targeting, why we created the product. And, as Mike
17 just mentioned, you know, we had a set of products --
18 reactor products -- in our portfolio, and what sort
19 of differentiates eVinci from those existing products
20 that we have today.

21 All right. So, first and foremost, right,
22 so why are we, you know, designing this -- you know,
23 this technology for this market? And it is a very
24 different market than we have from our past large
25 centralized power facilities, like an AP1000, but we

NEAL R. GROSS

COURT REPORTERS AND TRANSCRIBERS
1716 14th STREET, N.W., SUITE 200
WASHINGTON, D.C. 20009-4309

1 are seeing a lot of customers that are very interested
2 in different market sizes.

3 So, again, in our case, we're designing
4 towards a 5 megawatt electric plant to really provide
5 a solution to some of the net zero carbon-free energy
6 solutions that customers are seeking and providing
7 energy security, energy resiliency, and really driving
8 that new nuclear demand in the market today.

9 So you can see on the screen a number of
10 our applications that we can deliver this technology
11 to. We're focused, again, on a land-based terrestrial
12 5 megawatt electric plant that primarily will provide
13 electricity but is also capable of providing thermal
14 heat and thermal energy as well.

15 MEMBER BROWN: Can I ask a question?

16 MR. HALACKNA: Yes.

17 MEMBER BROWN: Why did you pick 5 megawatt
18 electric?

19 MR. HALACKNA: So we'll get into that in
20 a little bit, but there is --

21 MEMBER BROWN: If you were going to do it
22 later, just wait.

23 MR. HALACKNA: -- but I think -- so, one,
24 I think it's the market differentiates ourselves, but
25 I think there is a number of constraints, for example,

NEAL R. GROSS

COURT REPORTERS AND TRANSCRIBERS
1716 14th STREET, N.W., SUITE 200
WASHINGTON, D.C. 20009-4309

1 around being able to passively remove decay heat in
2 terms of -- so there are some technical reasons in
3 addition to the market that we're seeking to deploy
4 to.

5 MEMBER BROWN: Thank you.

6 MEMBER PETTI: Question. How many units
7 do you anticipate on the previous slide, the market?
8 How big is the market? 50? 100? 300?

9 MR. HALACKNA: Good questions. I think
10 -- Mike, do you want to answer the market question?

11 MR. SHAQOO: Sure. The great question is
12 -- I would say we're really being guided by the recent
13 INL study, Idaho National Lab study, that was done about
14 a year and a half ago. And they are projecting this
15 market to be in the thousands -- in the thousands of
16 units of a 5 megawatt or equivalent type microreactors
17 to support and to decarbonize the market sector that
18 INL analyzed.

19 So that's really one of our key reference
20 points, so it's really in thousandths.

21 MEMBER BROWN: Is that worldwide or just
22 U.S.?

23 MR. SHAQOO: It's worldwide. It's
24 globally.

25 MEMBER BROWN: Okay.

NEAL R. GROSS

COURT REPORTERS AND TRANSCRIBERS
1716 14th STREET, N.W., SUITE 200
WASHINGTON, D.C. 20009-4309

1 MR. SHAQQO: Right.

2 MR. HALACKNA: So, first, I'll start off
3 with what's really driving the technology of eVinci.
4 That's the heat pipe itself. So that's really the
5 technology that makes this unique. For us, it's a game
6 changer in terms of making the -- really, the reactor
7 coolant system, a passive system that's not dependent
8 on a force flow, single pressure boundary, reactor
9 coolant.

10 So heat pipes are, again, a passive thermal
11 transfer device, primarily functioning off of capillary
12 flow, and the difference in pressure and temperatures
13 in -- within the core to our primary heat exchanger.

14 So that really is what separates that, and we have
15 an array of heat pipes within the core, and that --
16 what that enables us to do is those operate in a
17 sub-atmospheric pressure.

18 So that allows our core design also then
19 to be operating at just over atmospheric pressure, which
20 is a real game changer in terms of different failure
21 modes and effects that we have to analyze, all the
22 different design basis events and accidents that go
23 into the safety case for this reactor.

24 So it does very much follow sort of the
25 nuclear battery model. In essence, during normal

NEAL R. GROSS

COURT REPORTERS AND TRANSCRIBERS
1716 14th STREET, N.W., SUITE 200
WASHINGTON, D.C. 20009-4309

1 operation, there are no moving parts in the core outside
2 of the sodium within each heat pipe, and there is roughly
3 around 800 heat pipes in total within this reactor.

4 So that's really what separates us.
5 Again, it's the low pressure design where, again, as
6 much as possible there is nothing moving within our
7 core, and that really is what excites us about having
8 a solid state reactor that, again, can operate upwards
9 of eight years or more without refueling, and then,
10 again, like a battery can be taken back to the factory,
11 refueled and refurbished, and delivered again.

12 Go to the next slide.

13 All right. So just, really, where did this
14 technology come from? First, going back even before
15 what I have on the slide here, going back to the sixties,
16 heat pipe technology was invented out of Los Alamos
17 National Lab. Through the '80s, it was a big focus
18 of the space reactors. So whether it's SNAP 10A, SP-100
19 programs.

20 From there, Los Alamos and NASA most
21 famously worked on the Kilopower and the KRUSTY test,
22 and that's really when we started to work with Los Alamos
23 in a more commercializable sense on different
24 opportunities there, through the Department of Energy
25 in many cases, to further that technology and really

NEAL R. GROSS

COURT REPORTERS AND TRANSCRIBERS
1716 14th STREET, N.W., SUITE 200
WASHINGTON, D.C. 20009-4309

1 take it to the commercial market from the focus that
2 had been on space and defense applications.

3 So we've had several different awards
4 through the Office of Nuclear Energy and ARPA-E that
5 really led to us being able to progress the design and
6 do a lot of the yearly technology development within
7 this product, ultimately to show this is demonstrated
8 as a technology that we can take to market and is the
9 right technology readiness levels for us to pursue this
10 product in the licensing that we are currently in the
11 preapplication phase in.

12 So you can see some of our milestones there.

13 We completed -- we have an eVinci laboratory and test
14 facility just outside Pittsburgh, Pennsylvania. We
15 built our first heat pipes in 2020 and have built dozens
16 essentially every year since.

17 Sort of capstoning, we did an electrical
18 demonstration early in 2021. So, basically,
19 electrical silicon carbide heaters to simulate the fuel
20 temperature. So that reached an operating temperature
21 of 800 degrees Celsius, steady state operation. We're
22 continuing to expand upon that facility today to do
23 more transient and more thermal benchmarking of our
24 codes and analyses. And, again, a lot of compatibility
25 testing.

NEAL R. GROSS

COURT REPORTERS AND TRANSCRIBERS
1716 14th STREET, N.W., SUITE 200
WASHINGTON, D.C. 20009-4309

1 So I mentioned our work in fluidized sodium
2 within each heat pipe. So a lot of sodium compatibility
3 testing, material interactions, to demonstrate the
4 safety and longevity of this design.

5 So, and again, we've had a very robust
6 preapplication phase where we've submitted to date 24
7 technical White Papers as part of our preapplication
8 on a host of topics.

9 And then, lastly there, most importantly,
10 you know, we've built our prototypic heat pipe or what
11 we're planning as our nuclear test reactor that would
12 be demonstrated at Idaho National Lab that we're working
13 as part of the NRIC organization on.

14 So you can see just on the bottom there
15 a timeline as we've progressed, iterated on the early
16 design phases, the different concepts, continued to
17 mature the technology, the integration of these
18 systems, ultimately to the design that we're at today,
19 which is a transportable 5 megawatt electric reactor.

20 MEMBER BROWN: Another question?

21 MR. HALACKNA: Go for it.

22 MEMBER BROWN: You mentioned sodium.
23 Obviously, it's solid. Do you transport it in the solid
24 mode and then heat --

25 MR. HALACKNA: Yes.

NEAL R. GROSS

COURT REPORTERS AND TRANSCRIBERS
1716 14th STREET, N.W., SUITE 200
WASHINGTON, D.C. 20009-4309

1 MEMBER BROWN: -- and then you heat it up

2

3 MR. HALACKNA: Yep. Well --

4 MEMBER BROWN: -- the reactor or without
5 the reactor?

6 MR. HALACKNA: So --

7 MEMBER BROWN: Do you have to have an
8 independent system, is what I'm saying, to put
9 yourselves in service initially?

10 MR. HALACKNA: Right. So right now we
11 will start up without any external heaters.

12 MEMBER BROWN: If I say something that's
13 proprietary, tell me to be quiet.

14 MR. HALACKNA: No worries.

15 MEMBER BROWN: I'm trying to avoid that
16 after reading the paper.

17 MEMBER PETTI: I have a question. Why
18 sodium? Why not another liquid metal? Is there unique
19 about sodium that makes it better as a heat pipe than,
20 say, potassium or NaK or --

21 MR. HALACKNA: Yeah. So it's really --
22 it goes to the power level that we're seeking to get
23 at each heat pipe, which drives which operating
24 temperature we're in, which drives back to really the
25 liquid metal properties, right, between the viscosity

NEAL R. GROSS

COURT REPORTERS AND TRANSCRIBERS
1716 14th STREET, N.W., SUITE 200
WASHINGTON, D.C. 20009-4309

1 of each heat pipe, the working fluid, the surface
2 tension, so the different materials all drive to the
3 performance factors.

4 So you can look at a number of different
5 curves that analyze the sizing between your vapor and
6 liquid regions and your operating temperatures and --
7 but also having all of those materials actually be
8 compatible to work together.

9 So it's a combination of those things that
10 we did robust sort of trade studies and parametric
11 studies to really find what is the highest TRL of our
12 materials, which ones interact with the rest of the
13 fuel and the core structure all together.

14 But sodium has sort of the best high power
15 properties. Once you go beyond that, you would go into,
16 let's say, something like lithium, which then really
17 requires a much higher temperature, which then takes
18 you back to some of the other core materials that would
19 be challenged.

20 There's a number of different options.
21 We focused on sodium because it has a pretty robust,
22 one, basis in terms (audio interference) designs.

23 CHAIR KIRCHNER: I think there's another
24 reason, too, and that's your power conversion system,
25 that you want a higher temperature and you would --

NEAL R. GROSS

COURT REPORTERS AND TRANSCRIBERS
1716 14th STREET, N.W., SUITE 200
WASHINGTON, D.C. 20009-4309

1 MR. HALACKNA: Absolutely. Yeah. So,
2 and I'll touch on that in a slide or two. Yep.

3 All right. So what's our deployment
4 vision? We envision two different, basically, modes
5 of operation show on the screen here. One is your 5
6 megawatt electric output with some thermal heating as
7 well, basically reusing that waste heat. It is
8 open-air Brayton cycle power conversion.

9 And then the second one would be really
10 we're seeing some other interests in really just thermal
11 energy. There is a lot of industrial processes,
12 district heating, and others that need a high
13 temperature or a very large thermal energy that they
14 can't get today in a carbon-free solution.

15 So there is an opportunity for our
16 technology there to marry up against some of the
17 existing technologies and processes that industry is
18 using today for many of our products to deliver the
19 thermal energy that they need to move themselves into,
20 let's say, a carbon neutral or net zero state for their
21 company or facility or organization.

22 So, again, it's 15 megawatts thermal, 5
23 megawatts electric. Again, we're focused on right
24 sizing, you know, for us how many onsite personnel for
25 operations and maintenance, given that we are very

NEAL R. GROSS

COURT REPORTERS AND TRANSCRIBERS
1716 14th STREET, N.W., SUITE 200
WASHINGTON, D.C. 20009-4309

1 different from a large light water reactor technology.

2 And, really, for this design, it has been,
3 how do we take very, you know, mature technology but
4 integrate them into a combined system, such that we're
5 actually meeting the customer expectations, meeting
6 the costs that we need to to be competitive in this
7 mater, but also deliver something that actually builds
8 on the resiliency, the security, and the other
9 attributes, the transportability that we're looking
10 for for the features of this product.

11 So, and lastly there, the biggest one,
12 again, is for us avoiding any onsite cooling waters
13 or any other interaction, really minimizing the
14 environmental impact, such that we can easily deploy
15 and license these to a number of different sites.

16 MEMBER BROWN: So the sites probably won't
17 have normal power grid availability, so -- based on
18 looking at the report, it looked like you all were
19 talking about a micro grid locally that you all would
20 come along with this package. Is that -- is that
21 correct or --

22 MR. HALACKNA: So I would say we envision
23 a number of different options. I think there could
24 be certainly normal grid-enabled sites where there is
25 an existing grid or an existing micro grid. Some of

NEAL R. GROSS

COURT REPORTERS AND TRANSCRIBERS
1716 14th STREET, N.W., SUITE 200
WASHINGTON, D.C. 20009-4309

1 the remote, let's say, mining or remote community
2 applications, though, may be on a micro grid where there
3 is hydro wind or solar as well. So we are designing
4 basically a micro grid interface system to deal with
5 any grid demand changes that will interface

6 MEMBER BROWN: So we're still -- you'll
7 stick with the 5 megawatt electric --

8 MR. HALACKNA: Yes. Yep.

9 MEMBER BROWN: That's pretty small when
10 you connect it to a large --

11 MR. HALACKNA: Yeah. So --

12 MEMBER BROWN: -- really heavy-duty
13 utility grid.

14 MR. HALACKNA: Yes.

15 MEMBER BROWN: In terms of its, you know,
16 paralleling capacity and everything else that you're
17 so that's why I asked the question. So whether you
18 were going to be independent or not, so it's a mixed
19 bag in other words.

20 MR. HALACKNA: Yeah.

21 MEMBER BROWN: Okay. Thank you.

22 MEMBER MARCH-LEUBA: And on that, so I'm
23 sure he has thought about this -- not every one, but
24 you only usually have to run your I&C systems, the
25 protection system and monitoring communications, all

NEAL R. GROSS

COURT REPORTERS AND TRANSCRIBERS
1716 14th STREET, N.W., SUITE 200
WASHINGTON, D.C. 20009-4309

1 those.

2 Are you planning to bootstrap yourself or
3 have a listen button in there, or what are you thinking
4 about?

5 MR. HALACKNA: Yeah. So there certainly
6 is energy storage onsite for the safety systems to deal
7 with any number of design basis event conditions. So
8 that -- we'll get to that in part of the later slide
9 deck. We'll go through some of the I&C and electrical
10 that support the design basis.

11 MEMBER MARCH-LEUBA: I'm willing to wait.

12 MR. HALACKNA: Okay.

13 MEMBER BROWN: So am I.

14 MR. HALACKNA: All right. So, again, just
15 high-level overview of the design that we have, again,
16 the focus here for us is it's a TRISO-fueled reactor
17 with heat pipes to transfer heat from basically the
18 core there in the center of the picture via heat pipes
19 to a primary heat exchanger on the right side of the
20 screen.

21 As I mentioned, that's an open-air Brayton
22 cycle, so we have a sleeve basically over each heat
23 pipe, which then is -- that air is then cooled and taken
24 through the open-air Brayton cycle, which will be
25 adjacent basically area to the reactor.

NEAL R. GROSS

COURT REPORTERS AND TRANSCRIBERS
1716 14th STREET, N.W., SUITE 200
WASHINGTON, D.C. 20009-4309

1 Again, graphite moderator core structure
2 there. And just over one atmospheric pressure inside
3 the core.

4 Go to the next slide.

5 All right. So our focus has been, again,
6 simplicity, flexibility, transportability. We want
7 to design this with as simple of an architecture as
8 we can. One of the key initiatives for this design
9 is to load the fuel before we transport this to site,
10 such that we are transportable and we can deploy this
11 to any number of locations.

12 So it will be transported, and then on the
13 other side of the operation transported offsite for
14 storage and decommissioning.

15 Again, with the number of markets that I
16 showed on the first slide, there's a lot of non
17 traditional utilities today, non-traditional
18 applications, in which case we don't envision storing
19 spent fuel on those locations, in which case we would
20 take it back to a centralized storage facility, and
21 later for potentially refueling and refurbishment, and
22 then eventually for decommissioning.

23 And, again, with the open-air Brayton
24 cycle, both really as our ultimate heat sink, it is
25 really just the ambient air environment as well as our

NEAL R. GROSS

COURT REPORTERS AND TRANSCRIBERS
1716 14th STREET, N.W., SUITE 200
WASHINGTON, D.C. 20009-4309

1 normal power conversion system working fluid. So in
2 case of -- for us, we can flexibly deploy this to any
3 number of sites, have a very generic operating model
4 that can apply basically anywhere.

5 MEMBER HALNON: Well, I was going to say
6 a couple of times I've seen the nuclear battery
7 branding. Is that how you're going to brand this thing
8 is a nuclear battery? Because it's not intuitive to
9 the public to say it's a nuclear battery. I can just
10 pop in the remote control and start working, so --

11 MR. HALACKNA: So I'd say we're still --
12 this is still an eVinci micro reactor. It is still
13 a fission reactor in that sense, but that is the model
14 that we are driving towards is where the operations
15 really are and the system operates autonomously.

16 MEMBER HALNON: Okay.

17 MEMBER BROWN: Transportation. When you
18 look at existing fuels, at least the ones I'm familiar
19 with in the naval nuclear program, when you're
20 transporting stuff that's wrapped up like this, you've
21 got to meet a lot of rules like stay 300 feet off of
22 a bridge on sharp, pointed rocks, or --

23 MR. HALACKNA: Yeah.

24 MEMBER BROWN: -- steel pillars. So
25 you're anticipating having to meet those transportation

NEAL R. GROSS

COURT REPORTERS AND TRANSCRIBERS
1716 14th STREET, N.W., SUITE 200
WASHINGTON, D.C. 20009-4309

1 goals --

2 MR. HALACKNA: Exactly. Yep.

3 MEMBER BROWN: -- as well.

4 MR. HALACKNA: So what you see on the
5 screen here basically is a transportation cask that
6 will be designed to all of those regulations.

7 MEMBER BROWN: Okay. Thank you.

8 MEMBER BALLINGER: So you're not going to
9 take an exemption to Part 70?

10 MR. SCHOEDEL: So I'll weigh in. So this
11 is Anthony Schoedel. I'm the manager of Advanced
12 Reactors Licensing. So thanks, Mr. Chairman, and the
13 Committee, for having us here today.

14 So as we've communicated through some of
15 our White Papers, and focusing on the transportation
16 topic specifically, we are going to conform and comply
17 with Part 71 transportation requirements, and that
18 includes the allowance for transportation PRA, right,
19 where we would look at, say, things like the drop in
20 the testing that you're talking about, really
21 optimizing it for our design and making sure the
22 transportation PRA is part of that strategy.

23 So it's -- that will look a little
24 different, maybe from things that have historically
25 been in the past, but the end game is conform with Part

NEAL R. GROSS

COURT REPORTERS AND TRANSCRIBERS
1716 14th STREET, N.W., SUITE 200
WASHINGTON, D.C. 20009-4309

1 71.

2 MEMBER BALLINGER: So you'll be the first
3 to do that?

4 MR. SCHOEDEL: My understanding is that
5 we are going to -- we are going to be exploring territory
6 that is allowable but maybe not fully expressed in the
7 past.

8 MEMBER REMPE: So I'm not sure how much
9 of this can be said in the open session, and feel free
10 -- and I even saw a later slide where I was going to
11 bring it up, but I think I'll bring it up here.

12 I'm curious about the startup of not only
13 the first one but the second one and the switch out,
14 holding time, and how quickly you'll go -- because it
15 seems like you want to do some checkouts, in fact, I
16 think I saw that somewhere when you first bring it
17 onsite. And then you've got to plug it into something
18 and get the other one unplugged, and how quickly that
19 happens, and then there has got to be a follow on.

20 And can you talk about your -- whatever
21 you can say in the open session on that switch out and
22

23 MR. HALACKNA: Yeah. So --

24 MEMBER REMPE: -- time, et cetera.

25 MR. HALACKNA: Good question. So

NEAL R. GROSS

COURT REPORTERS AND TRANSCRIBERS
1716 14th STREET, N.W., SUITE 200
WASHINGTON, D.C. 20009-4309

1 certainly we will walk through this a little bit in
2 more detail later on today. But the overall
3 architecture and design for each site is that we would
4 switchover in a matter of days as we take -- after that
5 first eight years of full power operation, we will shut
6 down the primary reactor.

7 We will have already brought in our second
8 reactor into an adjacent structure, and basically
9 reusing the same architecture for I&C, electrical,
10 power conversion, and all the rest of the site
11 facilities and infrastructure we will switch over.

12 So you can see an example on the screen
13 here. There is basically two pipes between the power
14 conversion system and the heat exchanger attached to
15 the reactor. Right? So those two pipes we will
16 basically valve out and switch over at reactor number
17 2, and basically same with the cabling.

18 So we can then, after reactor number 1 is
19 shut down, it will basically go into decommissioning,
20 and we will wait until it cools down from a radiological
21 perspective before it's transported offsite.

22 MEMBER REMPE: Any time that you have to
23 wait for the cooldown or you'd rather not say here?

24 MR. HALACKNA: So, yeah, we'll talk more
25 in the closed session, but mostly to meet the applicable

NEAL R. GROSS

COURT REPORTERS AND TRANSCRIBERS
1716 14th STREET, N.W., SUITE 200
WASHINGTON, D.C. 20009-4309

1 design limits for the shielding that is part of the
2 transportation cask.

3 MEMBER MARCH-LEUBA: While we are talking
4 about this, there are two things that drive you to the
5 eight-year operating in my mind. One is, how much
6 uranium you can load into it. Another one is, how long
7 does your fuel last.

8 MR. HALACKNA: Mm-hmm.

9 MEMBER MARCH-LEUBA: Because I can
10 conceive of making a reactor has less reactivity and
11 more mass, allows six to 10 years. Taking this used
12 reactor out of the facility and transporting it
13 somewhere in the desert is going to be a significant
14 fraction of your cost.

15 MR. HALACKNA: Yes. So transportation,
16 the cask itself, obviously, it will be, let's say, one
17 cask for -- that can transport a number of reactors.

18 And, yes, so there are -- there are limits from the
19 fuel perspective, also from the reactivity control
20 systems between our control drums and shutdown rods
21 for their ability to maintain sufficient shutdown
22 margin as well.

23 MEMBER MARCH-LEUBA: And, again, feel free
24 to go to the proprietary session, but do you have
25 sufficient confidence in your fuel that it will last

NEAL R. GROSS

COURT REPORTERS AND TRANSCRIBERS
1716 14th STREET, N.W., SUITE 200
WASHINGTON, D.C. 20009-4309

1 for eight years?

2 MR. HALACKNA: Yes.

3 MEMBER MARCH-LEUBA: Do we have sufficient
4 data?

5 MR. HALACKNA: Yes. So we are leveraging,
6 certainly, the topical reports on TRISO fuel, and that
7 is one of the things that we will go into more detail
8 in the closed session.

9 MEMBER MARCH-LEUBA: You don't have
10 special flex shifts and inspection shifts as things
11 burn? But we can talk more later.

12 MR. HALACKNA: Yes.

13 MEMBER MARCH-LEUBA: But the question is,
14 do you have sufficient confidence that they will last.

15 And if it doesn't last, do we have enough I&C monitoring
16 to detect it?

17 MR. HALACKNA: Mm-hmm.

18 MEMBER MARCH-LEUBA: But keep that in mind
19 and hopefully answer later.

20 MR. HALACKNA: No. Thank you for the
21 comment.

22 All right. So I'll talk briefly on really
23 our development timeline that we have, where we started
24 the last -- really, 2021, 2022, focused on finishing
25 the conceptual design. That has been important really

NEAL R. GROSS

COURT REPORTERS AND TRANSCRIBERS
1716 14th STREET, N.W., SUITE 200
WASHINGTON, D.C. 20009-4309

1 to -- for us to be able to engage in a meaningful way
2 with the NRC staff having a fixed design that allows
3 us to do a lot more analysis and testing and provide
4 that data into the technical White Papers that I
5 mentioned earlier.

6 Again, our electrical demonstration unit,
7 which we will talk about more in our closed session.

8 And again, also, something we've been doing is meeting
9 both in the preapplication phase with both the U.S.
10 and Canadian regulators. So we'll talk about our
11 nuclear test reactor. That's the NTR. We've started
12 to really design that already, and that's a big focus
13 for us in the year 2023.

14 A number of the things we've done in the
15 past, too, is really integrated manufacturing
16 demonstrations, so not just testing but also how do
17 we scale up and validate the supply chain and the
18 capabilities to meet our design parameters that we're
19 putting in in terms of the materials, material
20 properties, impurities, and just be able to meet the
21 challenging configurations that we have with this
22 reactor design.

23 Again, a lot of -- I mentioned before, a
24 lot of separate effects tests in terms of materials,
25 material interactions. We are operating a high

NEAL R. GROSS

COURT REPORTERS AND TRANSCRIBERS
1716 14th STREET, N.W., SUITE 200
WASHINGTON, D.C. 20009-4309

1 temperature, so that does -- that drives a lot of the
2 testing that we've been doing in addition to that
3 material interaction.

4 And, again, as we look at '24, we have some
5 criticality testing planned, as well as irradiation
6 testing ongoing again in the future, and then we always
7 continue to challenge ourselves in terms of that
8 manufacturing, assembly, design for value, all those
9 different attributes to make sure that we're achieving
10 our market and product requirements.

11 And then, again --

12 MEMBER MARCH-LEUBA: Criticality testing
13 is going to be prototypical or just collecting data
14 to evaluate your method?

15 MR. HALACKNA: Sorry. Can you repeat --

16 MEMBER MARCH-LEUBA: Criticality testing,
17 is it going to be a prototypical geometry or just going
18 to collect data to evaluate your method?

19 MR. HALACKNA: So, do you want to take
20 that?

21 MR. SCHOEDEL: Yeah. So I think you'll
22 see when we get into the closed portion of the discussion
23 we're going to have a lot of discussion around testing,
24 overall test program, including criticality testing.

25 Ultimately, the testing that we're doing,

NEAL R. GROSS

COURT REPORTERS AND TRANSCRIBERS
1716 14th STREET, N.W., SUITE 200
WASHINGTON, D.C. 20009-4309

1 whether you call it single effects or integral-type
2 tests, are all going to end up supporting in some
3 fashion, you know, V&V of our analysis code suite and
4 ultimately support our licensing case.

5 Yeah. This is Anthony Schoedel with
6 Westinghouse licensing.

7 MR. HALACKNA: All right. Joe Halackna,
8 Westinghouse. So just on the bottom of the slide there
9 you can see our licensing timelines as well, so we're
10 currently in the -- again, the preapplication,
11 prelicensing phase. We'll get into some of our future
12 submittals that we're planning there in the topicals
13 in later slides.

14 And, again, from there we'll plan to
15 eventually, in 2024, submit our design license
16 application and move through in the '25 to '27 timeline
17 our design certification.

18 In parallel, we have initiated various
19 discussions. We'll talk about vendor design review
20 with the Canadian Nuclear Safety Commission as well
21 as some joint reviews between the NRC and the CNSC as
22 well.

23 Go to the next slide.

24 I mentioned the test reactor. It is a 3
25 megawatt thermal reactor, so that's one-fifth power

NEAL R. GROSS

COURT REPORTERS AND TRANSCRIBERS
1716 14th STREET, N.W., SUITE 200
WASHINGTON, D.C. 20009-4309

1 scale. In our design, we refer to it as a unit cell.
2 We also think of it as a fuel assembly.

3 Basically, it's the same design in that
4 terms, but a lot less fuel assemblies or unit cells
5 are in the designs with much lower power, not -- shorter
6 axial length for the core, so enough of the design that
7 we can validate our key attributes and our key
8 performance and safety of the plant, but it's not a
9 full-scale reactor.

10 But we're targeting this to achieve a lot
11 of the integrated safety analysis that we really need
12 for the plant, and really use that as part of our design
13 certification process to close out any of the testing
14 that we need from our PIRTs and our other safety analysis
15 needs.

16 MEMBER REMPE: So it looks like you're
17 putting this in the EBR-I -- or, excuse me, II
18 containment, right? That looks like an Idaho picture.

19 It doesn't require any interactions with the NRC, but
20 I would hope that they are cognizant and this activity
21 is well coordinated, so you can address things that
22 would come up in the future. Could you talk about that
23 interaction a bit?

24 MR. SCHOEDEL: Mm-hmm. So this is Anthony
25 Schoedel, Westinghouse licensing. So spot on, yes.

NEAL R. GROSS

COURT REPORTERS AND TRANSCRIBERS
1716 14th STREET, N.W., SUITE 200
WASHINGTON, D.C. 20009-4309

1 So this is being -- it's intended to go into EBR-II
2 dome at INL with DOE authorization as part of that
3 process.

4 As part of the DOE authorization process
5 and the development of those application documents,
6 we're engaging with DOE and INL team and NRIC team to
7 make sure that there is, you know, access, availability
8 for both U.S. NRC and CNSC in Canada to be apprised
9 of what's going on with that test facility and making
10 sure also through our integrated test plan that we're
11 capturing through preapplication engagements, you
12 know, that this test amongst the suite of the rest of
13 our tests are going to accomplish the full gamut of
14 what's needed for licensing for eVinci micro reactor
15 in both countries.

16 So, yes, the allowance is there and that
17 coordination has been going on.

18 MEMBER REMPE: Thank you.

19 MEMBER PETTI: Just a question, smaller
20 one. Will you have the capability to measure the
21 radioactive contents of the gas, the air?

22 MR. HALACKNA: So this is Joe Halackna.
23 So we'll -- I think we'll get into --

24 MEMBER PETTI: The helium that's in the
25

NEAL R. GROSS

COURT REPORTERS AND TRANSCRIBERS
1716 14th STREET, N.W., SUITE 200
WASHINGTON, D.C. 20009-4309

1 MR. HALACKNA: Within the core or within
2 the --

3 MEMBER PETTI: The core.

4 MR. HALACKNA: -- EBR-II dome?

5 MEMBER PETTI: No. Within the core.

6 MR. HALACKNA: Okay.

7 MEMBER PETTI: The helium. I'm just
8 talking about the fuel, okay? HEI program, the EPRI
9 topical, fuel never went beyond two years of radiation.
10 You know, eight years is a long time. you're running
11 it at a derated power relative to that.

12 You know, my personal opinion is that it's
13 probably going to survive. The problem is, there's
14 no data behind that. That's just sort of an educated
15 guess. And there's enough bad data historically that
16 could scare people who don't, you know, appreciate the
17 full landscape of TRISO fuel. And so one way to do
18 that is if you monitor the content of the helium, if
19 you feel particles, you'll know. You'll see increases
20 in noble gases.

21 And it's not a difficult thing, but it's
22 just something that if you have it, it provides some
23 assurance.

24 MR. HALACKNA: Yeah. So I think we
25 understand the comment in particular, and I think in

NEAL R. GROSS

COURT REPORTERS AND TRANSCRIBERS
1716 14th STREET, N.W., SUITE 200
WASHINGTON, D.C. 20009-4309

1 a closed session we'll have some slides that address
2 that question. Yeah.

3 MR. SCHOEDEL: This is Anthony Schoedel
4 with Westinghouse licensing. So this slide -- Joe has
5 done a good job at explaining, you know, what are some
6 of the different aspects of eVinci micro reactor and
7 maybe what's new and novel about it. This slide is
8 a great representation of maybe the full picture or,
9 you know, beginning to end on what is -- what's new
10 with eVinci, particularly around how it's deployed,
11 right, and how is it brought to market and operating,
12 right?

13 So you kind of work these in order, you
14 know, left to right, one through eight. But starting
15 with item 1 there, that's the test reactor that we were
16 just discussing, really. So what we're trying to show
17 here on this slide is you pick up with what we would
18 consider our pinnacle or the final integrated nuclear
19 test for eVinci micro reactor that supports the design
20 certification. Right?

21 So when we say, in step 2, eVinci licensing
22 approval, what we're really talking about there is,
23 you know, we have submitted a design certification
24 application under Part 52, and we're going to close
25 out any analysis, testing, and V&V ultimately to

NEAL R. GROSS

COURT REPORTERS AND TRANSCRIBERS
1716 14th STREET, N.W., SUITE 200
WASHINGTON, D.C. 20009-4309

1 complete that application and get certification.

2 That transitions, then, into the dotted
3 line or the dotted box area where we really focus on,
4 how is eVinci manufactured and delivered and brought
5 into -- brought into fruition, right?

6 So Joe has talked about, you know, this
7 is going to be assembled, manufactured, fueled, and
8 then transported to the operating site. So you see
9 that in items 3, 4. Primarily, you can transport this
10 via rail, barge, or truck.

11 It will operate, then, for a period of,
12 you know, the design lifetime. We'll say eight years
13 of effective full power lifetime, with remote
14 monitoring capability. I would like to differentiate
15 that that's remote monitoring and not remote operation
16 or control, right? So it's remote monitoring
17 capability.

18 And then, finally, on the back end is, you
19 know, we -- we're not going to deal with onsite handling
20 of spent fuel. We're not going to do onsite refueling
21 as part of this vision and the strategy. It's going
22 to be taken away in the transportation canister that
23 Joe talked on earlier. That canister would be designed
24 for the limiting case, being the spent case after
25 operation, and then it's taken back to an interim

NEAL R. GROSS

COURT REPORTERS AND TRANSCRIBERS
1716 14th STREET, N.W., SUITE 200
WASHINGTON, D.C. 20009-4309

1 storage facility where it would -- it would reside until
2 deep geologic disposal is available.

3 So that's soup to nuts how eVinci is tested,
4 made, and delivered. So any questions on this before
5 the next slide?

6 MEMBER HALNON: Yeah. You mentioned and
7 emphasized remote monitoring, remote operation. Joe,
8 you mentioned autonomous operation. I assume that in
9 closed session we're going to get -- talk about the
10 difference between those two and the nuclear battery
11 versus the nuclear reactor.

12 MR. HALACKNA: Yeah. And those are two
13 separate systems in that sense, too.

14 MEMBER HALNON: Yeah. So let's not -- I
15 want to make sure we understand the role of the operator
16 on this thing.

17 MEMBER PETTI: So just a question on the
18 defueling. If you -- how long is the coil again,
19 axially?

20 MR. HALACKNA: Approximately 10 feet.

21 MEMBER PETTI: The defueling machine is
22 not something to overlook. Okay? You know, the one
23 that we use in Fort St. Vrain is long gone. That was
24 on top vertical. Horizontal defueling is going to be
25 a challenge.

NEAL R. GROSS

COURT REPORTERS AND TRANSCRIBERS
1716 14th STREET, N.W., SUITE 200
WASHINGTON, D.C. 20009-4309

1 MR. HALACKNA: So Joe Halackna,
2 Westinghouse. I'll just say that is one of the things
3 we have already been working on is cooling associated
4 with all of this deployment model. We have several
5 demonstrations underway to demonstrate that exact
6 process.

7 MR. SCHOEDEL: Thanks. Anthony Schoedel
8 with Westinghouse. So we've talked a number of times
9 here in the discussion about the preapplication
10 engagement. So a lot of thanks to Mr. Wentzel and NRR,
11 NMSS, over the past year plus. We're supporting a
12 volume of White Papers that -- in the Westinghouse
13 design and engineering and licensing team have put
14 together referencing the White Paper that Mr. Wentzel
15 talked about at his opening remarks, and the value of
16 preapplication engagement really as we go through
17 design development, and in the early stages of licensing
18 this new -- this new micro reactor technology.

19 So you see here, you know, that we listed
20 the 24 that have been submitted between 2021 and 2022.

21 Those are available, you know, for NRC staff and
22 through ADAMS. We've had a number of dialogues with
23 them on, you know, I'll call it like post-submittal
24 discussions where we've solicited, you know,
25 observations and feedback, making sure we clearly

NEAL R. GROSS

COURT REPORTERS AND TRANSCRIBERS
1716 14th STREET, N.W., SUITE 200
WASHINGTON, D.C. 20009-4309

1 understand, you know, where we need to, you know,
2 continue to progress in some of -- some of the more
3 challenging issues on the eVinci deployment.

4 And that's being taken back and funneled
5 into our design organization and making sure that the
6 feedback and the observations are being captured and
7 informing the design development to set up a smooth
8 and streamlined license application process, like Mr.
9 Wentzel indicated, from the staff's White Paper.

10 You can see there is more coming in 2023,
11 and these White Papers then are a stepping stone to
12 more formal submittals, topical reports, coming in 2023
13 and beyond, and then setting up the design cert
14 application, like Joe said, end of '24, early 2025.

15 So we'll have some more discussion
16 specifically around topical reports and some of the
17 other licensing strategy in the closed session of the
18 discussion, but I just wanted to highlight the good
19 engagements and the robustness of the preapplication
20 from this Westinghouse team to date.

21 MEMBER MARCH-LEUBA: I wanted to make a
22 comment, not a question, about -- I like that number
23 30, cybersecurity, that you are thinking about it before
24 you start, because if you follow the news, I mean, if
25 -- what I get in -- you had to scale to this because

NEAL R. GROSS

COURT REPORTERS AND TRANSCRIBERS
1716 14th STREET, N.W., SUITE 200
WASHINGTON, D.C. 20009-4309

1 you didn't know enough. You're talking about more
2 monitoring, autonomous operation. Cybersecurity is
3 number one.

4 MEMBER HALNON: So, you guys, this is
5 great. You've got a lot of good information there.
6 If we wanted to look at those, would they reflect a
7 revision to the NRC comments you have had during your
8 interaction, or is that going to be reflected in the
9 topical reports down the road?

10 MR. SCHOEDEL: Yes. So Anthony Schoedel,
11 Westinghouse licensing. So these are the submittals
12 themselves. They will not reflect any revision from
13 NRC comments and feedback. The reflection of that is
14 going to go directly into either the follow-on topical
15 reports themselves or directly into the license
16 applications.

17 MEMBER HALNON: Okay. So if we wanted to
18 get like the picture of number 15, EPZ Sizing
19 Methodology -- no specific reason why I chose that --
20 but is there a record of the NRC comments back and forth
21 between you all? Is it, you know --

22 MR. SCHOEDEL: Yes. Great question.
23 Anthony Schoedel, Westinghouse licensing. So that --
24 there is a record. Westinghouse has a preapplication
25 docket with NRC, and that's available on NRC's website.

NEAL R. GROSS

COURT REPORTERS AND TRANSCRIBERS
1716 14th STREET, N.W., SUITE 200
WASHINGTON, D.C. 20009-4309

1 And every paper that Westinghouse has submitted and
2 the NRC written feedback provided back to Westinghouse
3 is available with an added succession number.

4 Largely, the contents are proprietary, so
5 the links will take you to, you know, those statements.

6 But they are available on ADAMS.

7 MEMBER HALNON: All right. So if we have
8 a specific issue with one of them, we can certainly
9 run that around pretty easily. All right. Thank you.

10 MR. SHAQQO: Greg, we have them all
11 uploaded on SharePoint.

12 MEMBER HALNON: All the record is? Both
13 the White Paper and the NRC comments?

14 MR. SHAQQO: Yes.

15 MEMBER HALNON: Okay. Good.

16 MR. SHAQQO: Thanks to Donna.

17 MEMBER HALNON: Thank you.

18 MEMBER BROWN: Can you go back to your
19 slide 11?

20 MR. SCHOEDEL: Yes.

21 MEMBER BROWN: Next previous one, the one
22 on NTR. Yeah. The one before that, excuse me. Yeah.

23 Looking at that last block it says design
24 fully received, regulatory licensing approval. Is
25 that for installing in some remote mining location or

NEAL R. GROSS

COURT REPORTERS AND TRANSCRIBERS
1716 14th STREET, N.W., SUITE 200
WASHINGTON, D.C. 20009-4309

1 is that the NTR design? I mean, that's '27, so that's
2 three and a half years from now, or four years.

3 MR. SCHOEDEL: Yeah. So Anthony
4 Schoedel, Westinghouse licensing. That's primarily
5 referring to the design certification application.

6 MEMBER BROWN: So installing -- it's
7 commercial unit delivery and operation --

8 MR. SCHOEDEL: Right. That's --

9 MEMBER BROWN: It would be pretty helpful
10 if I had my mic on. I apologize for that.

11 MR. SCHOEDEL: So that would be covered
12 by the plusses you indicated, but the initial -- the
13 initial approval here would be the design cert
14 application. So it sets up the rest of the dotted line
15 deployment model licensing activities.

16 MEMBER BROWN: So that's done in '27 or
17 so.

18 MR. SCHOEDEL: Right. The vision is
19 starting to submit the design cert application in the
20 end of '24, early '25 timeframe, like we've discussed.

21 And then there is a -- you know, a multi-year review
22 period there consistent with what Mr. Wentzel said in
23 his remarks, and that all builds off of the White Paper
24 engagement, the topical reports that we're going to
25 talk to in the closed session, too, a bit, and you're

NEAL R. GROSS

COURT REPORTERS AND TRANSCRIBERS
1716 14th STREET, N.W., SUITE 200
WASHINGTON, D.C. 20009-4309

1 taking the feedback, you're making sure that the license
2 application builds off of this engagement.

3 MEMBER BROWN: Okay. Thank you. Just
4 trying to connect the dots between the words and the
5 box. That's all.

6 MEMBER MARCH-LEUBA: Yeah. But doing
7 some advertising here. As opposed to light water --
8 larger light water reactors, you would expect
9 construction of one such facility to be in months, not
10 weeks, timeframe, right?

11 MR. SCHOEDEL: Correct.

12 MEMBER BALLINGER: I tried to go through
13 all of these documents, and there are so many of them
14 I'm sure I missed some. Probably missed a lot. But
15 if you ship one of these things up to Timmons, who owns
16 the license, the customer or you?

17 MR. SCHOEDEL: Anthony Schoedel with
18 Westinghouse licensing. So I think that's something
19 that we will be giving some more detail when we get
20 into the closed session. But there is going to be
21 handshakes and license transfers as part of the
22 deployment model.

23 MR. HALACKNA: Yeah. So Joe Halackna,
24 Westinghouse. So, again, to really deliver this
25 technology right, you need partners. We couldn't do

NEAL R. GROSS

COURT REPORTERS AND TRANSCRIBERS
1716 14th STREET, N.W., SUITE 200
WASHINGTON, D.C. 20009-4309

1 this simply by ourselves, whether it's the NTR
2 delivering out at Idaho National Lab.

3 We do have some early adopters that we're
4 working with, including Penn State and Saskatchewan
5 Research Council, design partners, highly leveraged,
6 again, our partner, Brayton Energy, in terms of
7 delivering this power conversion system, which is,
8 obviously, different than a lot of the light water
9 reactor technologies on secondary side there.

10 And, again, all of the national labs that
11 have contributed to a number of the different materials,
12 heat pipes, fuel, all of the different things that would
13 have made up this micro reactor, and, again, a lot of
14 the material that development for our high temperature
15 regime that we're operating in.

16 So you can see a number of our partners
17 on the screen there that we've been very successful
18 in working with in order to deliver this very important
19 technology and product.

20 MEMBER BALLINGER: Have you actually
21 visited Brayton Energy?

22 MR. HALACKNA: Yes.

23 MEMBER BALLINGER: Okay.

24 MR. HALACKNA: Yes. Sorry?

25 MEMBER BALLINGER: The seafood is nice.

NEAL R. GROSS

COURT REPORTERS AND TRANSCRIBERS
1716 14th STREET, N.W., SUITE 200
WASHINGTON, D.C. 20009-4309

1 MR. HALACKNA: All right. Yeah. So I
2 think we just want to close out with saying, again,
3 thank you. This is -- for the opportunity today to
4 present the work we've been doing in the preapplication
5 phase with the NRC.

6 We've had -- it has been a great opportunity
7 to collaborate and work with them at this phase of where
8 we are, and we look forward to, again, progressing this
9 design, and ultimately working through the licensing
10 process.

11 Anthony, any --

12 MR. SCHOEDEL: No. Just, again, thank you
13 to Mr. Chairman, to the ACRS Committee here for taking
14 the time today, and thank you to NRC for the dialogue.

15 CHAIR KIRCHNER: Okay. Well, thank you,
16 Joseph and Anthony. And thanks for your comments.

17 Members, further questions for this
18 session?

19 To our members out there, Vesna and Vicki,
20 and our consultants?

21 MEMBER DIMITRIJEVIC: Hi. Yes, Walt.
22 This is Vesna. In this -- the White Paper schedule
23 that is -- the four or five of them coming in March,
24 I just want to check with Chris, will they be made
25 available for us immediately when they receive them

NEAL R. GROSS

COURT REPORTERS AND TRANSCRIBERS
1716 14th STREET, N.W., SUITE 200
WASHINGTON, D.C. 20009-4309

1 in March?

2 MR. BROWN: I'm going to ask Donna to
3 comment on that. Donna Williams.

4 MS. WILLIAMS: Yes. We can certainly
5 share the incoming White Papers and then our feedback
6 once it's issued.

7 MEMBER DIMITRIJEVIC: All right. Thank
8 you.

9 So just what are coming on the PRA, you
10 know, programs and schedules, so I'm looking forward
11 to see that.

12 CHAIR KIRCHNER: Thank you, Vesna.

13 Others?

14 If we have no further comments, then we
15 need to turn to the public. And at this time, if there
16 are any members on the line or in the room here who
17 wish to make a comment, please identify yourself, and
18 affiliation if appropriate, and please make your
19 comment.

20 Using a long pause of 15 seconds, but I'm
21 not hearing anyone out there wishing to make a comment.

22 Okay. With that, we will close this open
23 session and return on a closed Teams link. We will
24 take time for Chris, our Designated Federal Official,
25 and NRC staff -- I think Donna Crawford -- to help with

NEAL R. GROSS

COURT REPORTERS AND TRANSCRIBERS
1716 14th STREET, N.W., SUITE 200
WASHINGTON, D.C. 20009-4309

1 Westinghouse's assistance -- I think that's you,
2 Anthony -- to check who is on the closed session.

3 So we will -- to allow time to do that,
4 I think we should take a 15-minute break, and we will
5 return at --

6 MEMBER BROWN: 2:10.

7 CHAIR KIRCHNER: No, that's not enough.

8 MEMBER BROWN: 3:10.

9 CHAIR KIRCHNER: No. Let us return at
10 2:20 Eastern Time.

11 Thank you for all that help. We will
12 reconvene at 2:20. Thank you.

13 (Whereupon, the above-entitled matter went
14 off the record at 1:55 p.m.)

15

16

17

18

19

20

21

22

23

24

25

WAAP-12580, Revision 0
“eVinci Microreactor Overview – Non-Proprietary Open
Presentation”
(Non-Proprietary)

eVinci™ Microreactor

The eVinci microreactor is a next-generation energy source for delivering clean & reliable energy for the 21st century

Design & Development Program

Joseph Halackna, Deputy Director

Alex Harkness, Chief Engineer

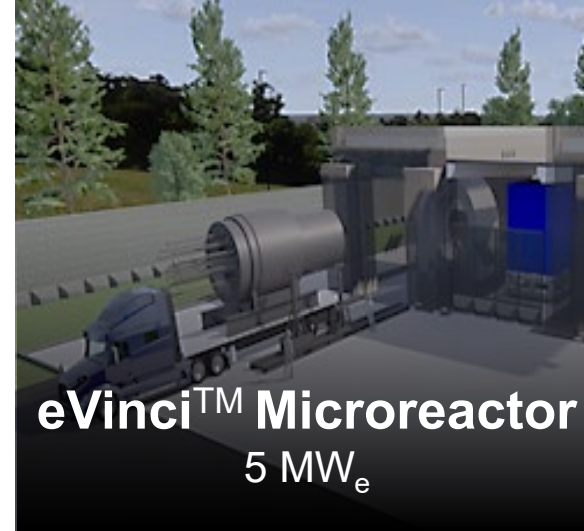
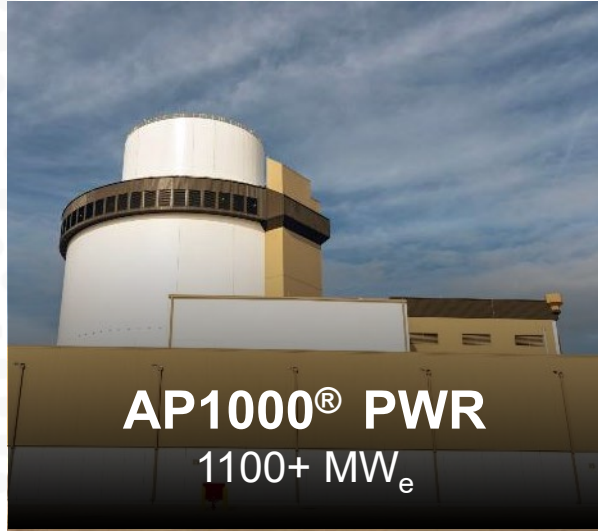
Anthony Schoedel, Advanced Reactor Licensing Manager

eVinci and AP1000 are trademarks or registered trademarks of Westinghouse Electric Company LLC, its affiliates and/or its subsidiaries in the United States of America and may be registered in other countries throughout the world. All rights reserved. Unauthorized use is strictly prohibited. Other names may be trademarks of their respective owners.

Westinghouse Non-Proprietary Class 3 | © 2023 Westinghouse Electric Company LLC. All Rights Reserved.

Shaping Today's and Tomorrow's Energy

A Portfolio of Innovative Solutions



Our reactors can also deliver these beyond-electricity benefits:

Long-Duration Energy Storage

Hydrogen Generation and Process Heat

Radioisotope Production

Complementary Clean Energy Products
to Serve the Needs of Diverse Global Customers

Fuel Cycle Closure

Agenda

February 28, 2023

- New Nuclear Market & Applications
- Heat Pipes & eVinci Microreactor
- Development History
- Deployment Vision
- Design Attributes
- Transportable Nuclear Battery
- Technology Timeline
- Nuclear Test Reactor for eVinci Microreactor
- Deployment Model with Current Regulations
- Current Status on Pre-licensing with US NRC

*Simplicity is the
ultimate sophistication.*

- Leonardo da Vinci

The Market and Applications for New Nuclear

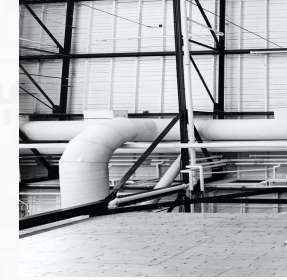
Clean, Carbon-Free Energy Solutions and Energy Security are Driving New Nuclear Demand



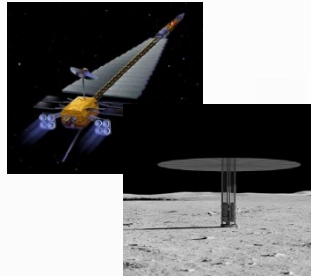
Remote Mining Operations



Industrial Process Heat



District Heating



Space



Remote Communities



Hydrogen Generation



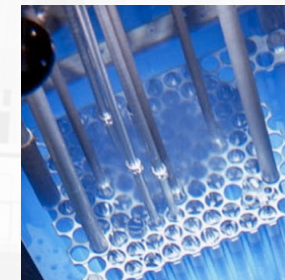
Maritime



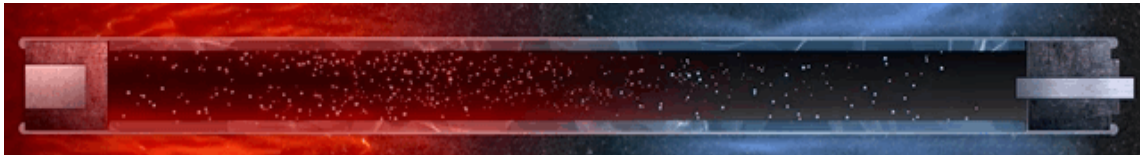
Critical Infrastructure Installations



Disaster Relief



Research Reactors



Heat Pipes: An Innovative, Elegant Game Changer

Heat pipe technology shouldn't be new to you. Chances are you've carried "heat pipes" around with you for years as heat-spread devices in your mobile phone or other electronics.

Heat pipe technology has been applied for the past 50 to 60 years with millions of operating hours in industries that need passive and simple designs. Westinghouse engineers have taken that concept and applied it to nuclear energy.

What does that mean?

Heat pipes enable high-temperature, passive-heat transfer, eliminating the complexity of a forced-flow reactor coolant system, so no pumps or valves needed. Operated by capillary forces, heat pipes eliminate the need for high-pressure operation.

Few moving parts and low pressures make heat pipe systems highly reliable while requiring very little maintenance.

In the end, **that's the game-changer.**



eVinci Microreactor: The Real Nuclear Battery

Batteries — as we all know them — are pretty simple devices, requiring no moving parts to discharge their energy, powering a multitude of everyday devices for various lengths of time.

What if we applied that concept to nuclear energy?

That's what Westinghouse has achieved with the eVinci microreactor: a nuclear battery.

Like a battery, the eVinci microreactor has a simple design with no moving parts or pumps for coolant. Like a battery, the eVinci microreactor can supply its power 24/7/365. But unlike most batteries we know, the eVinci microreactor can do this without recharging (refueling) for eight years or more.

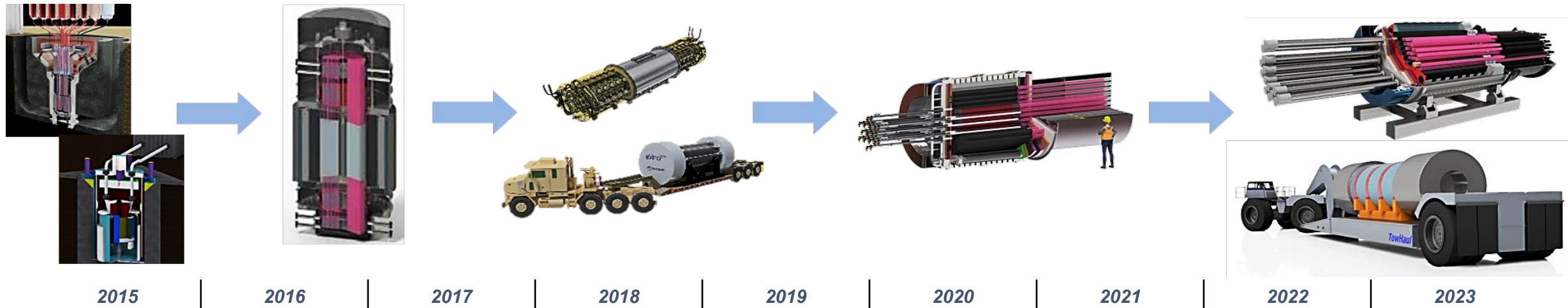
The game has changed.



eVinci Microreactor – Developed from Decades of Research

Background & development to date

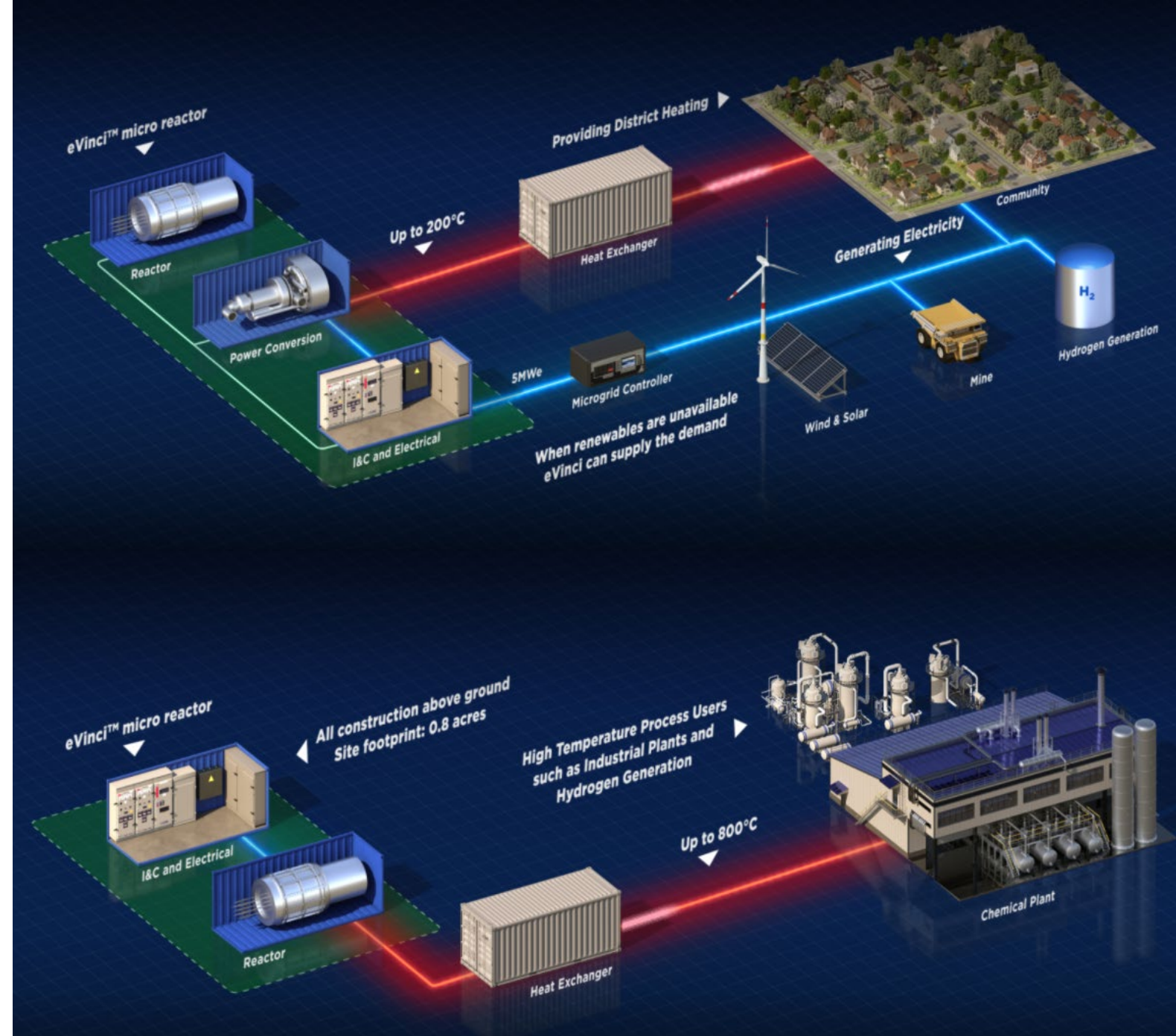
- **1980s to 2000** – heat pipe reactors developed for space due to simplicity, small size & passive cooling
- **2000 to 2015** – national laboratory led materials and reactor design development research
- **2015** – Westinghouse began development of heat pipe & microreactor concepts
- **2018** – DOE/NASA demonstration of 5kW heat pipe reactor (KRUSTY) & technology commercialization fund initiated between Westinghouse & LANL
- **2020** – completed construction of eVinci test facility & manufactured first sodium heat pipe
- **2021** – electrical demonstration of heat pipe core assembly at operating temperature
- **2022** – material compatibility testing & conceptual design completed; technical white papers & first topical reports delivered to US NRC; produced first heat pipe for design of Nuclear Test Reactor (NTR)



Deployment Vision

Nuclear battery designed for safe and reliable electricity and heat

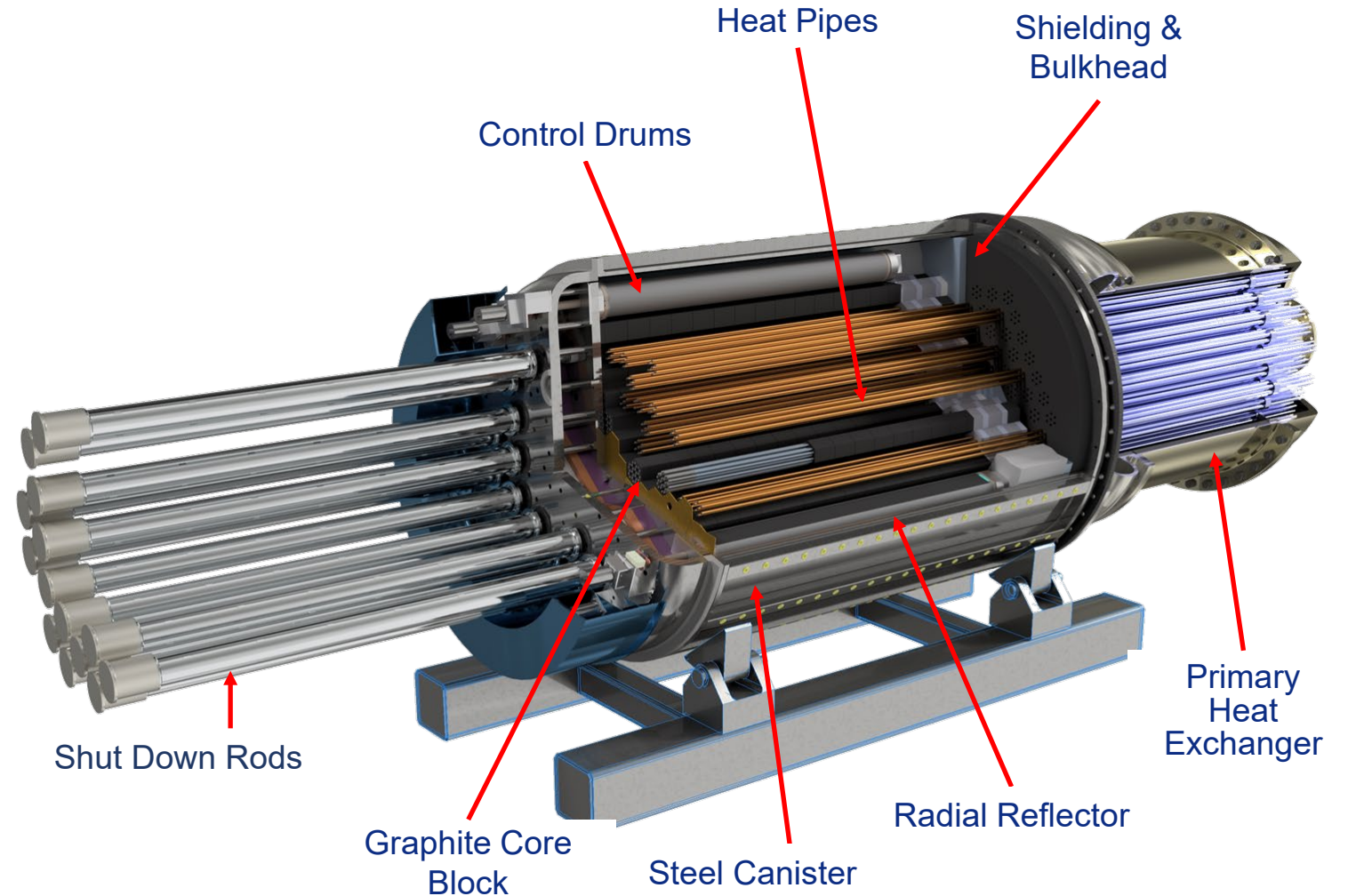
- 15 MWt reactor with 8+ year refuel cycle
- Effective cogeneration nuclear battery
- Transportable for ease of installation & elimination of spent fuel storage on site
- Cost-competitive plant lifecycle
- Minimal onsite personnel for O&M
- Mature technology, manufacturing, and regulatory readiness
- High speed load following capability
- Versatile and flexible open-air Brayton power conversion
- No onsite cooling water required



The eVinci Microreactor

Safety through passive heat pipe technology, enabling a very low-pressure reactor

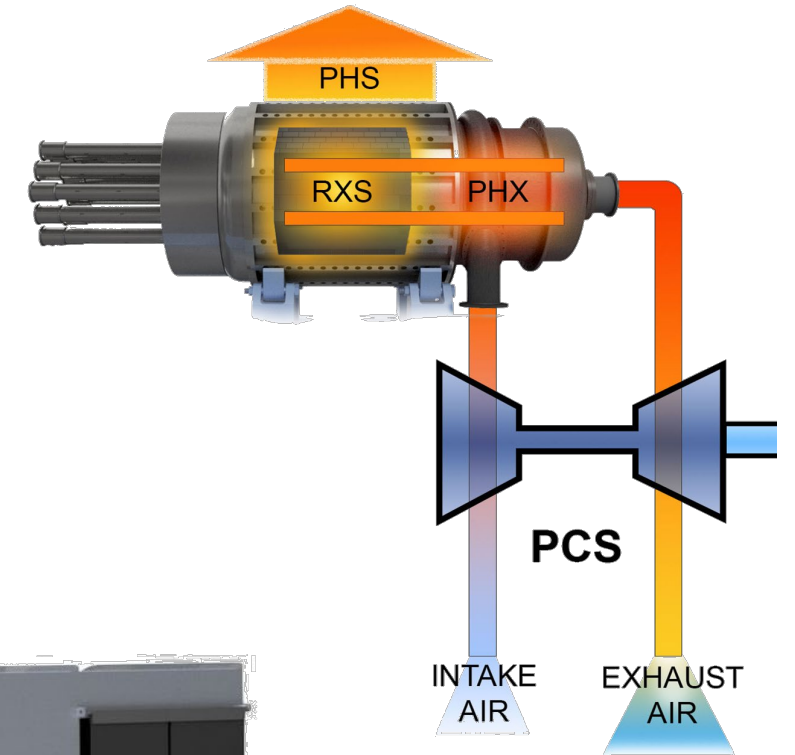
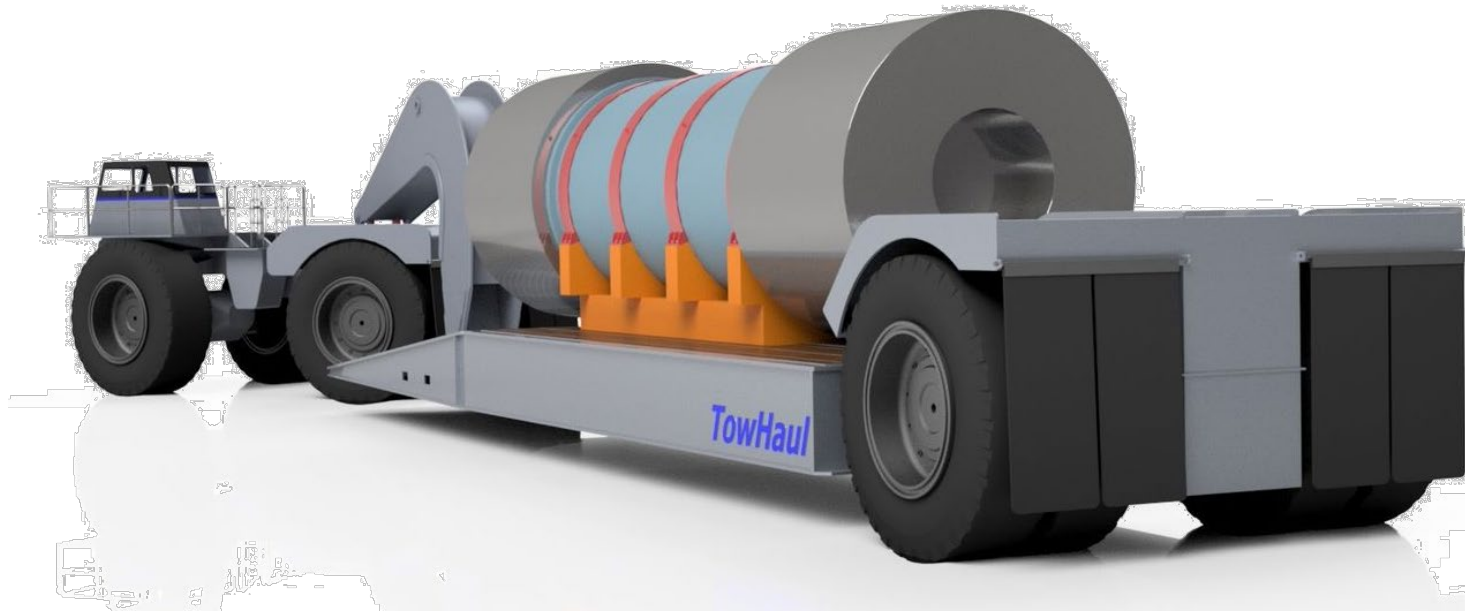
Parameter	eVinci
Power	15 MWt
Fuel Cycle	8 years
Fuel (Enrichment)	TRISO (19.75%)
Coolant	Heat Pipes
Reactor Pressure	~1 atm
Moderator	Graphite
Power Conversion	Open-Air Brayton
Efficiency	34%
Decay Heat Removal	Radial Conduction



Designed for Simplicity, Flexibility & Transportability

The eVinci microreactor is a **transportable nuclear battery** with a simple design architecture enabled by passive, low pressure heat pipes

- Fuel load before transport
- Transported off-site for storage & decommissioning
- Flexibly deployed



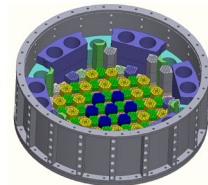
eVinci Microreactor – Technology Development & Timeline

Leading the way in advanced reactor development and commercialization

Technology Development and Manufacturing



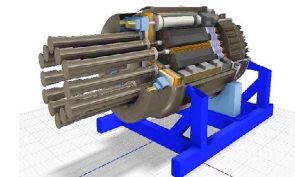
- Conceptual design complete
- Electrical demonstration unit operational
- Initiated licensing engagement with US and Canadian regulators



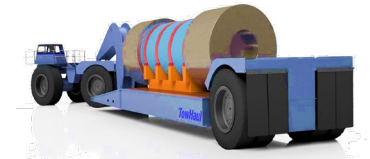
- NTR design for procurement
- Integrated manufacturing demonstrations and prototyping
- Separate effect and component testing



- NTR component fabrication
- Criticality, transient and irradiation testing
- Design for value, manufacturing & assembly



- NTR assembly and operation
- Analysis code validation
- Initiate eVinci Unit 1 manufacturing
- 5 MWe non-nuclear power conversion test



- Design complete
- Receive regulatory licensing approvals
- Commercial unit delivery and operation

2021-2022

2023

2024

2025-2026

2027+

Licensing

US NRC pre-licensing engagement
(Technical papers & Topical report submittals)

Prepare & submit design license to NRC

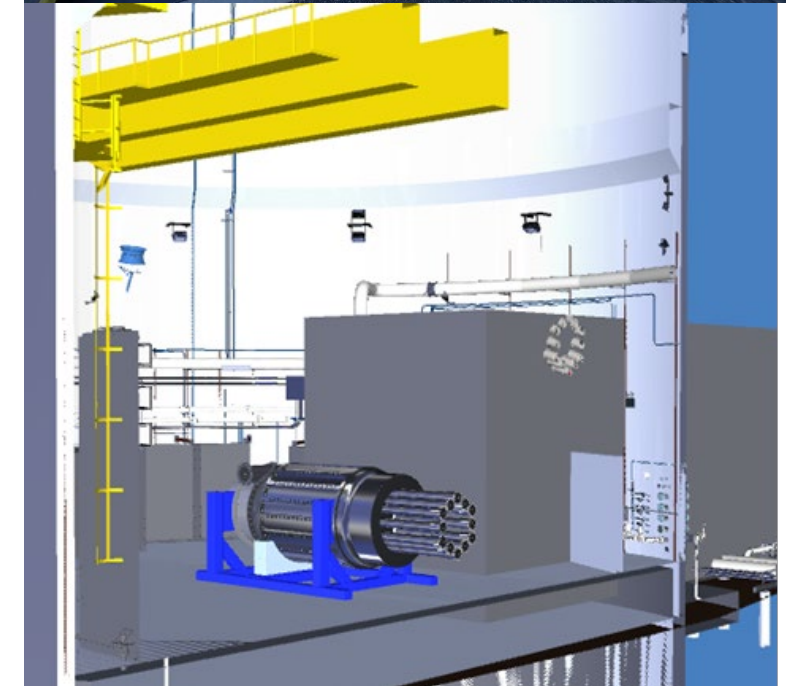
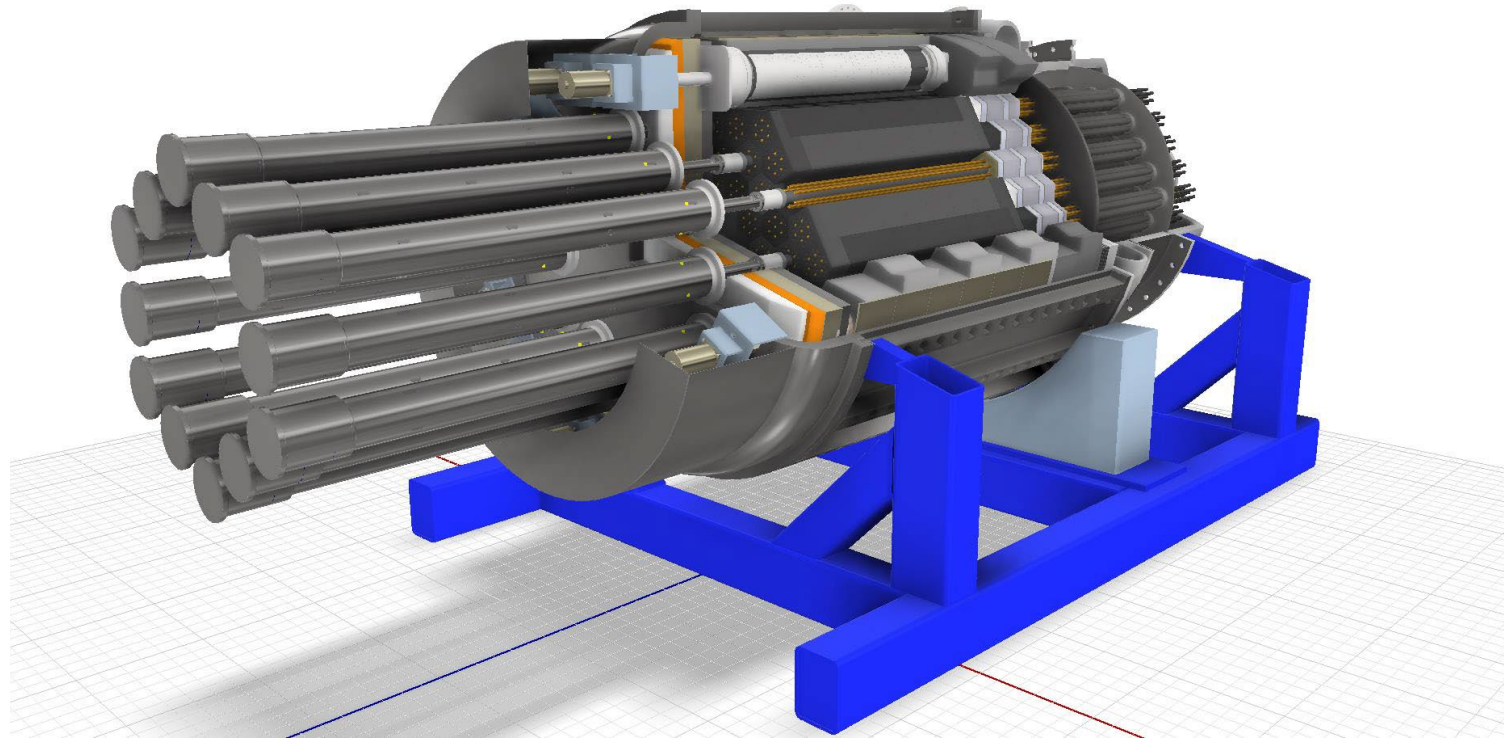
NRC review & approve design certification

Canadian Nuclear Safety Commission (CNSC) vendor design review

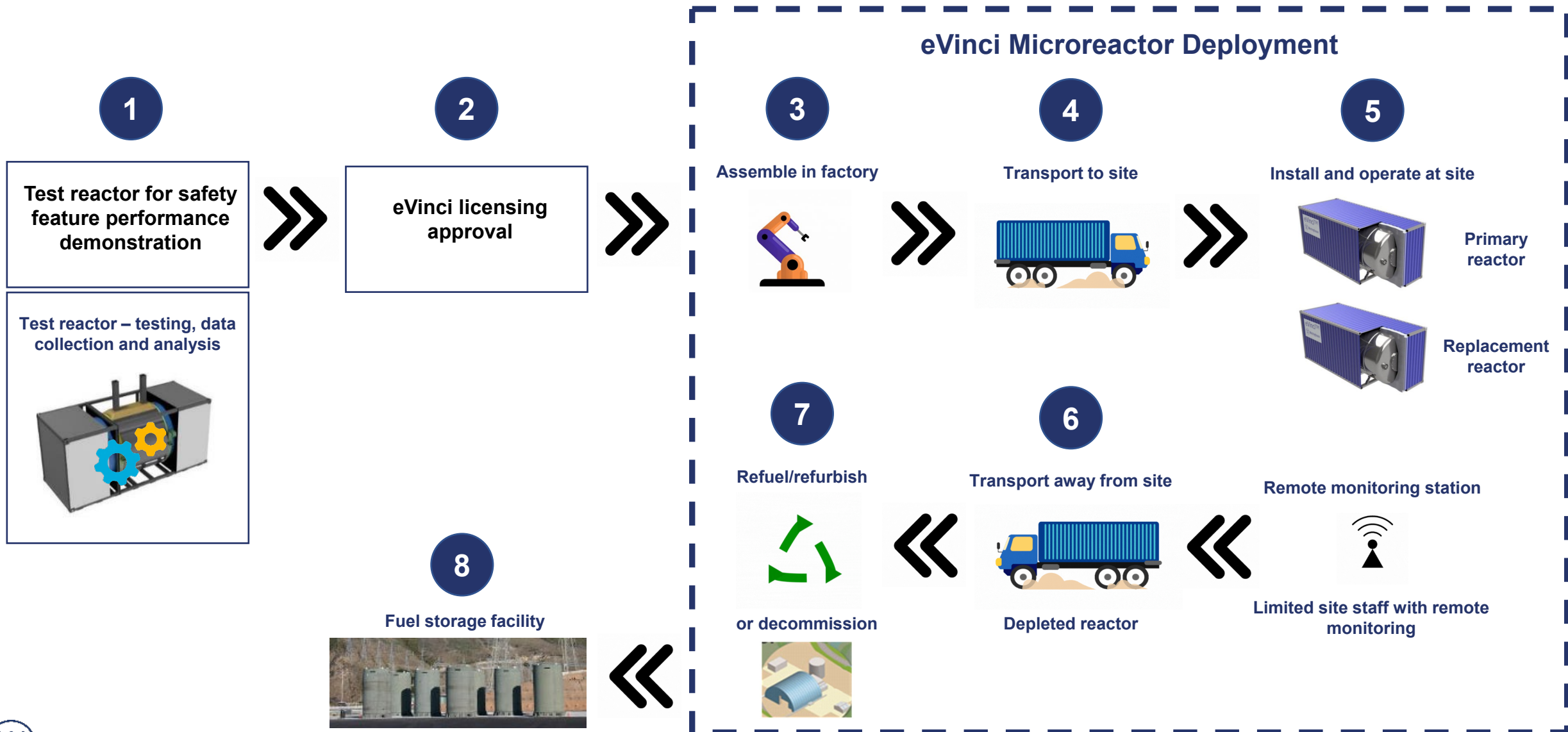
Other countries' licensing activities

Nuclear Test Reactor for the eVinci Microreactor

- 3 MWt Reactor System
- Reactor system, reactivity control systems, heat exchanger, and targeted I&C



A New Deployment Model Within Current Regulations



Licensing Progress with US NRC

Current Status: <https://www.nrc.gov/reactors/new-reactors/advanced/licensing-activities/pre-application-activities/evinci.html>

#	Topic	Submittal Wave	#	Topic	Submittal Wave	#	Topic	Submittal Wave
1	Facility Level Design Description	Submitted - 1	13	Advanced Logic System®(ALS) v2	Submitted - 3	25	Inservice Inspection Program/Inservice Testing Program	5 (March 23)
2	Principal Design Criteria	Submitted - 1	14	Component Qualification	Submitted- 3	26	Post-Accident Monitoring System	5 (March 23)
3	Safety and Accident Analysis Methodologies	Submitted - 1	15	EPZ Sizing Methodology	Submitted - 3	27	Equipment Qualification	5 (March 23)
4	LMP Implementation	Submitted - 1	16	Physical Security	Submitted - 3	28	PRA Program Strategy	5 (March 23)
5	Regulatory Analysis	Submitted - 2	17	Heat Pipe Design, Qualification, and Testing	Submitted - 3	29	Fire Protection	5 (March 23)
6	Deployment Model	Submitted - 2	18	Nuclear Design	Submitted - 3	30	Cyber Security	5 (March 23)
7	Safeguards Information Plan	Submitted - 2	19	U.S Transportation Strategy	Submitted - 3	31	Radiation Protection and Contamination Methodology	6 (Q2 23)
8	Test and Analysis Process	Submitted - 2	20	Phenomena Identification and Ranking Table (PIRT)	Submitted - 4			
9	Functional Containment and Mechanistic Source Term	Submitted - 2	21	Integral Effects and Transient Testing	Submitted - 4			
10	Composite Material Qualification and Testing	Submitted - 2	22	Refueling and Decommissioning	Submitted - 4			
11	Fuel Qualification and Testing	Submitted - 3	23	Seismic Methodology	Submitted - 4			
12	Code Qualification	Submitted - 3	24	Operations and Remote Monitoring	Submitted - 4			

Partnerships and Customers

Early Adopters

- Penn State University - developing research reactor project
- Saskatchewan Research Council - developing commercial reactor project

Key Design and Development Partnerships

- Brayton Energy – Power conversion system design
- Aerojet Rocketdyne – Fission Surface Power
- LANL, INL PNNL and ORNL
- Penn State University – R&D support
- MIT – Material irradiation testing



Thank You!

www.westinghousenuclear.com

See our Navigator for more information on the eVinci microreactor and all Westinghouse technology

<https://navigator-voyantstudios.com/>





NRC Staff Pre-application Interactions on the eVinci Advanced Reactor

Presentation to the Advisory Committee on Reactor Safeguards
eVinci Subcommittee

February 28, 2023

Donna Williams, Senior Project Manager

Advanced Reactor Licensing Branch 1

Office of Nuclear Reactor Regulation, US NRC

Background on Pre-application Interactions

- NRC draft white paper “Pre-application engagement to Optimize Advanced Reactor Application Reviews” ML21145A106
 - NRC staff proposed a set of pre-application activities that, if fully executed, will enable staff to offer more predictable and shorter schedules and other benefits
- Staff reviewed 24 white papers, and plan to review 7 more white papers and 15 topical reports
- eVinci deployment model introduces policy issues that are under evaluation by the staff.

e-Vinci Subcommittee - Design Overview - Open Session

07:07

Chat People Raise React View Rooms Apps More Camera Mic Share Leave

CB

Waiting for others to join...

Others from chat (40)

- Billy Gleaves Request to join
- Donna Williams
- JG James Gaslevic
- Carol Moyer
- Steve Jones
- Michael Orenak
- Robert Weisman
- Bernie White
- William Jessup
- CS Cayetano Santos
- Mary Frances Woods

9:32 AM 3/17/2023

e-Vinci Subcommittee - Design Overview - Open Session

05:49

Chat People Raise React View Rooms Apps More Camera Mic Share Leave

CB

Waiting for others to join...

Others from chat (40)

- MH Myron Hecht
- DB Dennis Bley
- KC Kenneth Czerwinski
- VD Vesna Dimitrijevic
- DP Dave Petti
- Vicki Bier
- Zena Abdullahi
- QN Quynh Nguyen
- MS Michael Snodderly
- Andrea Torres

9:31 AM 3/17/2023