

REGISTRY OF RADIOACTIVE SELED SOURCES AND DEVICES
SAFETY EVALUATION OF SEALED SOURCE

NO.: NR-0155-S-806-S DATE: May 13, 2011
(Supersedes NR-0155-S-107-S)

PAGE 1 of 2

SOURCE TYPE: Radioluminous Lamp

MODEL: 11729519

MANUFACTURER / Department of the Army
DISTRIBUTOR: U.S. Army TACOM Life Cycle
 Management Command
 AMSTA-CSC-Z
 (Previously U.S. Army Tank-
 Automotive & Armaments Command)
 6501 E. Mile Rd.
 Warren, MI 48397-5000

ISOTOPE: MAXIMUM ACTIVITY:

Hydrogen-3 0.6 Curie (2.22 GBq)

LEAK TEST As specified in the user's materials
FREQUENCY: license

PRINCIPAL USE: (R) Gas Sources, for use in the Model Elbow
 Telescope

CUSTOM SOURCE: X Yes No

CUSTOM USER: U.S. Department of Defense

REGISTRY OF RADIOACTIVE SELED SOURCES AND DEVICES
SAFETY EVALUATION OF SEALED SOURCE

NO.: NR-0155-S-806-S DATE: May 13, 2011
(Supersedes NR-0155-S-107-S)

PAGE 2 of 2

SOURCE TYPE: Radioluminous Lamp

DIAGRAM:

See Attachments 1 and 2.

REFERENCES:

The following supporting documents for the Model 11729519 radioluminous lamp are hereby incorporated by reference and are made a part of this registry document.

- Department of the Army letter dated March 20, 1995, requesting changes to specific certificates, and letters dated January 22, 2001, May 23, 2001, and March 24, 2004, with enclosures thereto.
- Department of the Army email received September 23, 2005, with enclosures thereto.
- Department of the Army facsimile dated December 12, 2005, with enclosures thereto.
- U.S. Department of the Army License No. 12-00722-06.
- Department of the Army letter dated March 2, 2011, with enclosures thereto.

ISSUING AGENCY:

U.S. Nuclear Regulatory Commission

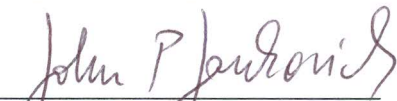
Date: May 13, 2011

Reviewer:


Lymari Sepulveda

Date: May 13, 2011

Concurrence:


John P. Jankovich

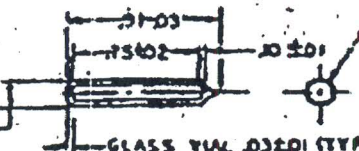
REGISTRY OF RADIOACTIVE SEALED SOURCES AND DEVICES
SAFETY EVALUATION OF SEALED SOURCE

NO.: NR-0155-S-806-S DATE: May 13, 2011 ATTACHMENT 1 OF 2
(Supersedes NR-0155-S-107-S)

REMARKS

- 1. CHECKING, SHIPPING, LABELING AND DISPOSAL OF RADIOACTIVE COMPONENTS SHALL BE IN ACCORDANCE WITH CLASS 2 TYPE A RADIOACTIVE REGULATIONS ON THE SANITARY SYSTEM.
- 2. THERE SHALL BE NO EVIDENCE OF FUMING, PALMARE MARK OR PRESENCE OF LIGHT LEAKS DUE TO EXPOSURE THE LAMP DURING THE 100% AND 100% FOR A PERIOD OF 2 HOURS AT EACH TEMPERATURE.
- 3. AFTER DISCHARGE THE LAMP IN HIGH TEMPERATURE BATH FOR 2 HOURS, RADIOACTIVE CONTENT OF THE BATHS SHALL NOT EXCEED THE SPECIFICATION.
- 4. POWER TO CHECK DIMENSIONAL MEASUREMENTS, LAMP SHALL BE ALLOWED TO STABILIZE FOR A PERIOD OF 20 DAYS AFTER MANUFACTURE.
- 5. FOLLOWING THE 20 DAY STABILIZATION PERIOD AND UP TO 100 DAYS FROM DATE OF MANUFACTURE, DIMENSIONAL MEASUREMENTS SHALL NOT VARY AN EXCESS OF 3.00 MM MEASURED WITH ANY DIMENSIONAL 30-DAY PERIOD, FURTHER, THE FINAL DIMENSIONAL MEASUREMENT, AT TIME OF ACCEPTANCE SHALL BE ONE DIMENSIONAL MEASUREMENT.
- 6. VIAL TO BE FILLED WITH PRODUCTION GRADE DIMENSIONAL MEASUREMENT AND PURE, LEAD FREE 203PB SOURCE. BALANCE OF DIMENSIONS TO BE DIMENSIONAL MEASUREMENT, WITH 0.5 MM EXCESS OVER SIZE.
- 7. COLOR OF PRODUCTION, GREEN, OPTICAL PLAN SHALL BE 1.00 ± 0.05 PLAIN WITHIN 2° ± 0.2°.
- 8. OPTICAL PRODUCTION 2.00 DIMENSIONAL MEASUREMENT AT 20°C.
- 9. PROTECTIVE SHEATH OF GLASS, AND VIAL, SHALL BE MADE OF PURE WHITE GLASS WITH NO IMPURITIES IN ANY PART.
- 10. G.P. APPROVED APPLICABLE

No.	Description	Quantity
1
2
3
4
5



SOURCE USED ON:
HIL4A1 ELBOW TELESCOPE

REMARKS: PAINT, EPoxy, SPEC. MIL-A-1000, COLOR NO. 1075 OF FED-STD-595 (100% APC FOR FULL LENGTH OF VIAL), 100% DRY FINISHES, ALTERNATIVE PAINT: EPoxy, WHITE 2075220

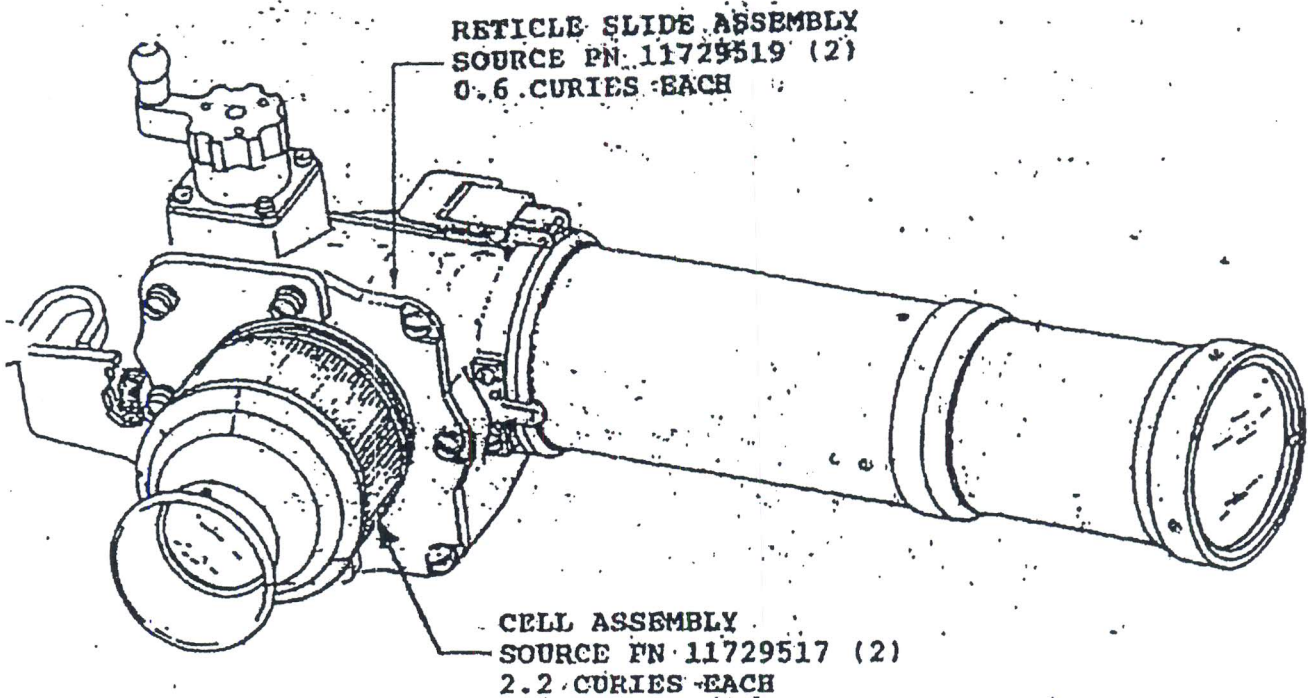
SOURCE CONTROL RECORD		PART NO. H72220	
DATE	DESCRIPTION	REVISION	REVISION

NIST'S SOURCE(S) OF SUPPLY	
LOCATION	VENDOR PART NO.
KEY-ROE EQUIPMENT	
10000 2000 S. HICKORY, YES, AND IN HICKORY	NOT AVAILABLE
PHONE: 404-478-1111 FAX: 404-478-1111	
10000 2000 S. HICKORY, YES, AND IN HICKORY	NOT AVAILABLE
PHONE: 404-478-1111 FAX: 404-478-1111	
10000 2000 S. HICKORY, YES, AND IN HICKORY	NOT AVAILABLE
PHONE: 404-478-1111 FAX: 404-478-1111	
10000 2000 S. HICKORY, YES, AND IN HICKORY	NOT AVAILABLE
PHONE: 404-478-1111 FAX: 404-478-1111	

REGISTRY OF RADIOACTIVE SEALED SOURCES AND DEVICES
SAFETY EVALUATION OF SEALED SOURCE

NO.: NR-0155-S-806-S DATE: May 13, 2011
(Supersedes NR-0155-S-107-S)

ATTACHMENT 2 OF 2



Radioactive Components of the ~~M14A1~~ Elbow Telescope
Total Activity 5.6 Ci