

REGISTRY OF RADIOACTIVE SELED SOURCES AND DEVICES
SAFETY EVALUATION OF SEALED SOURCE

NO.: NR-0155-S-804-S DATE: May 13, 2011
(Supersedes NR-0155-S-105-S)

PAGE: 1 of 2

SOURCE TYPE: Radioluminous Lamp

MODEL: 11729514

MANUFACTURER / Department of the Army
DISTRIBUTOR: U.S. Army TACOM Life Cycle
Management Command
AMSTA-CSC-Z
(Previously U.S. Army Tank-
Automotive & Armaments Command)
6501 E. 11 Mile Rd.
Warren, MI 48397-5000

ISOTOPE: MAXIMUM ACTIVITY:

Hydrogen-3 0.6 Curie (2.22 GBq)

LEAK TEST As specified in the user's materials
FREQUENCY: license

PRINCIPAL USE: (R) Gas Sources
For use in the following device model
numbers:
M137 Panoramic Telescope
M137A1 Panoramic Telescope

CUSTOM SOURCE: X Yes No

CUSTOM USER: U.S. Department of Defense

REGISTRY OF RADIOACTIVE SELED SOURCES AND DEVICES
SAFETY EVALUATION OF SEALED SOURCE

NO.: NR-0155-S-804-S DATE: May 13, 2011
(Supersedes NR-0155-S-105-S)

PAGE: 2 of 2

SOURCE TYPE: Radioluminous Lamp

DIAGRAM:

See Attachments 1, 2, and 3.

REFERENCES:

The following supporting documents for the Model 11729514 radioluminous lamp are hereby incorporated by reference and are made a part of this registry document.


- Department of the Army letter dated March 20, 1995, requesting changes to specific certificates, and letters dated January 22, 2001, May 23, 2001, and March 24, 2004, with enclosures thereto.
- Department of the Army email received September 23, 2005, with enclosures thereto.
- Department of the Army facsimile dated December 12, 2005, with enclosures thereto.
- U.S. Department of the Army License No. 12-00722-06.
- Department of the Army letter dated March 2, 2011, with enclosures thereto.

ISSUING AGENCY:

U.S. Nuclear Regulatory Commission

Date: May 13, 2011

Reviewer:


Lymari Sepulveda

Date: May 13, 2011

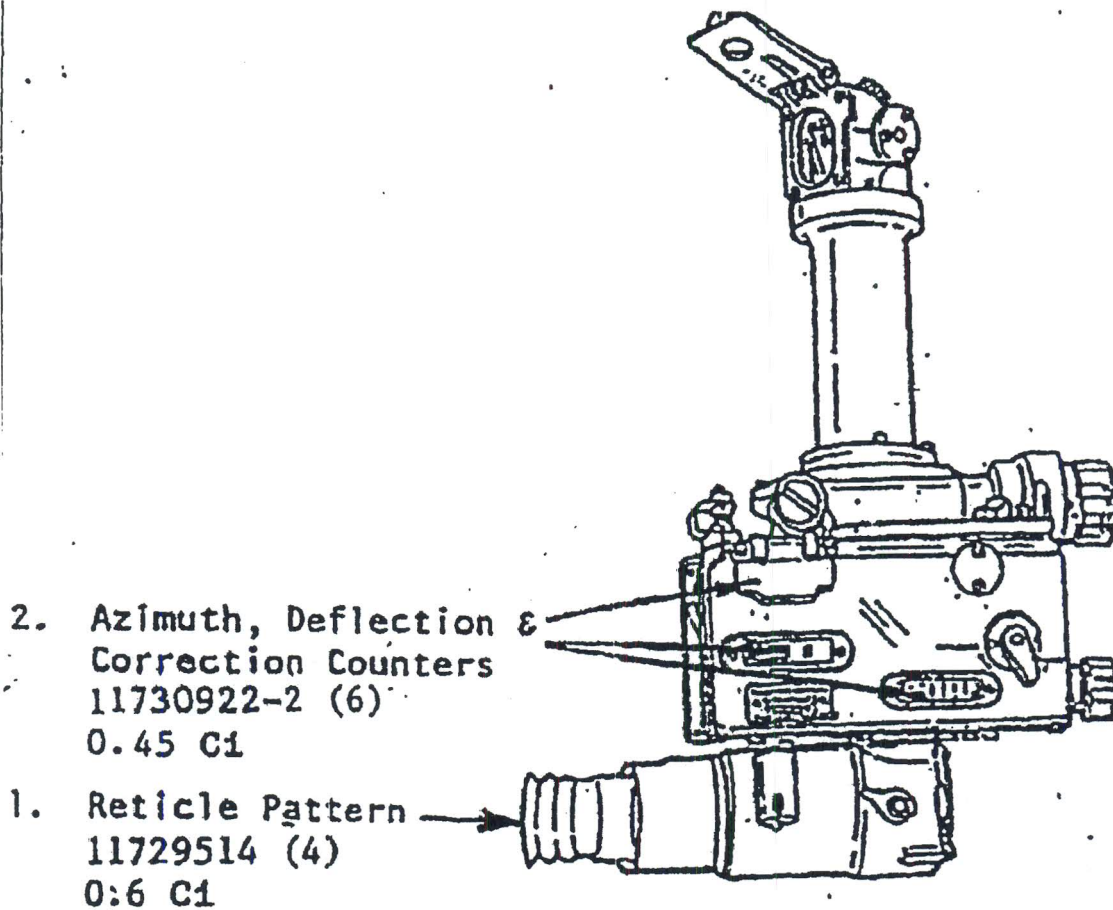
Concurrence:


John P. Jankovich

REGISTRY OF RADIOACTIVE SEALED SOURCES AND DEVICES
SAFETY EVALUATION OF SEALED SOURCE

NO.: NR-0155-S-804-S DATE: May 13, 2011
(Supersedes NR-0155-S-105-S)

ATTACHMENT: 2 OF 3

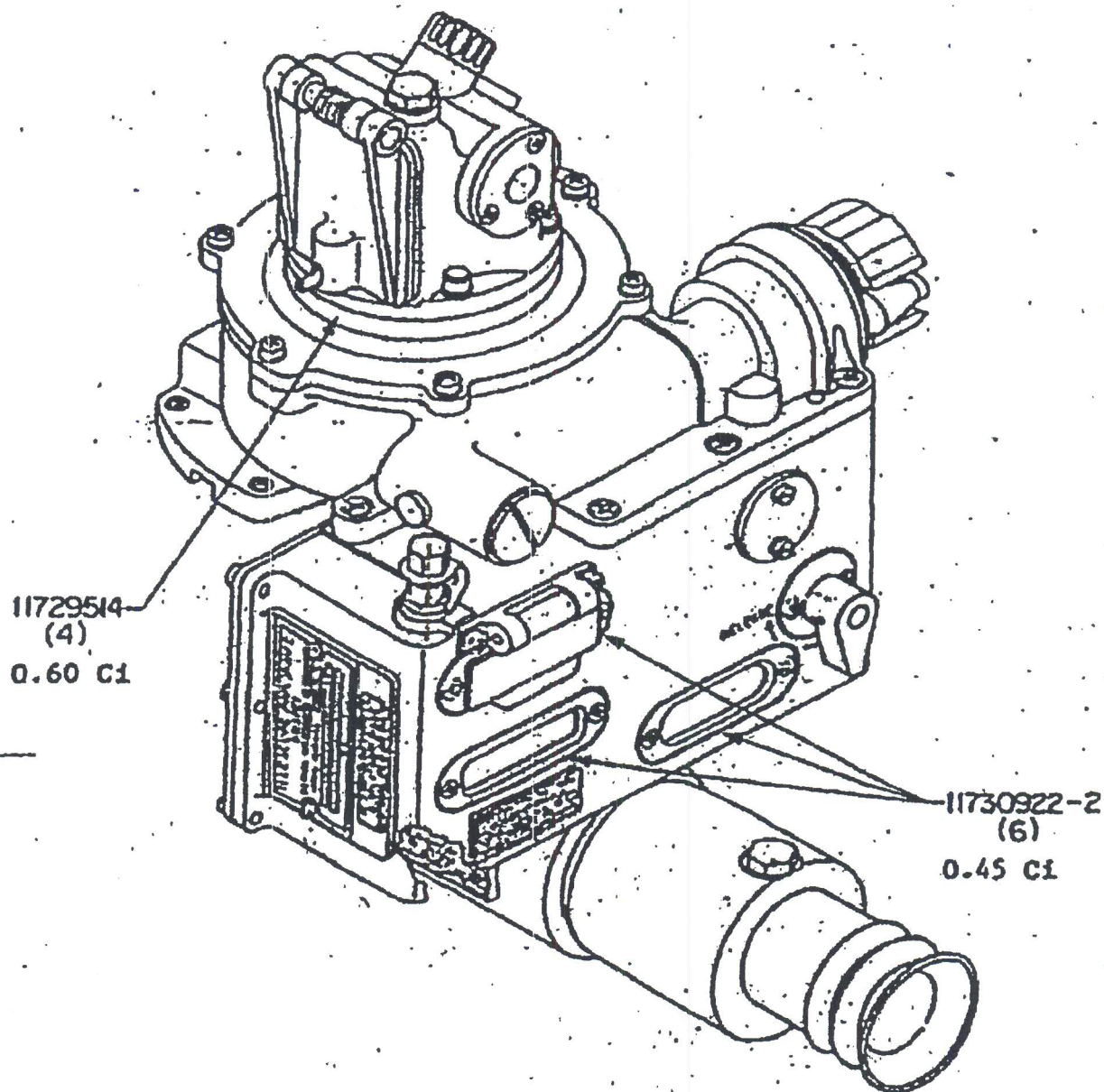


Radioactive Components of M137 Panoramic Telescope
Total Activity 5.1 Ci

REGISTRY OF RADIOACTIVE SEALED SOURCES AND DEVICES
SAFETY EVALUATION OF SEALED SOURCE

NO.: NR-0155-S-804-S DATE: May 13, 2011
(Supersedes NR-0155-S-105-S)

ATTACHMENT: 3 OF 3



M137A1

TELESCOPE, PANORAMIC: PN-12599167

Total Activity 5.10 Ci